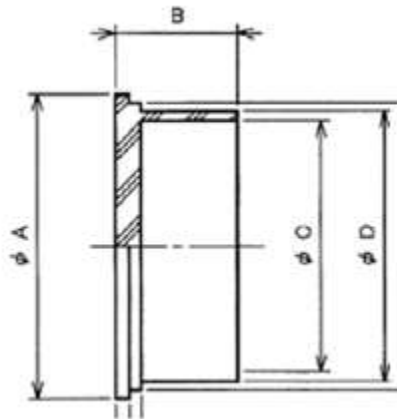


## N/MS Nylon Dust Cap Specification Change

JAE has changed the specification for the N/MS dust cap. Changes have been made to the color, markings and dimension, as detailed below.

### 1. Details of the Changes

Part Number	025-0470-000	
	Previous Part	New Part
Color	Yellow	Red
Specification	MS-90376, NAS837	N/A
Markings	Company : CAPLUGS Part no. : EP-25 MS no : MS-90376-25Y NAS no. : NAS837-25	Company : CAPLUGS Part no. : EC-26
Dimension A	46 +/- 0.79	48.5 +/- 0.79
Dimension B	17.2 +/- 0.83	14 +/- 0.83
Dimension C	39.1 +/- 0.25	41 +/- 0.25
Dimension D	40.1 +/- 0.25	43.4 +/- 0.25
Drawing No.	SJ009973(rev. 8)	SJ009973(rev. 9)



### 2. Changeover Timeline

The change will begin May 2017.

For any questions regarding this matter, please contact your JAE account manager.  
Thank you for your cooperation.