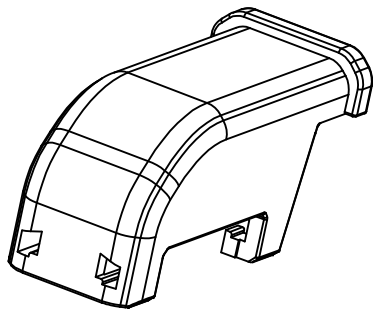
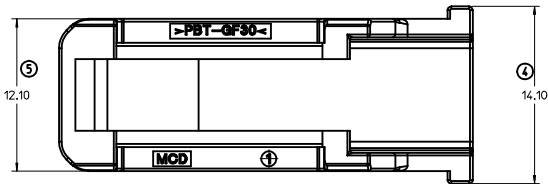
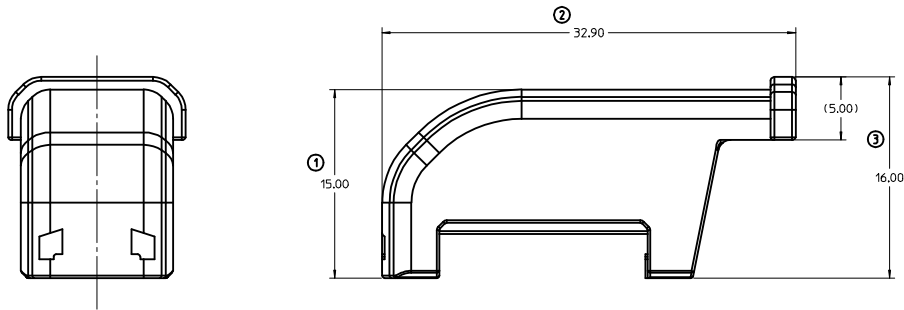


ITEM	MOLEX P/N	COLOR	MATING CONNECTOR	
			P/N	DRAWING
1	31414-8600	BLACK	31404-8XXX	SD-31404-81



NOTES: VALID UNLESS OTHERWISE SPECIFIED

1. GENERAL:
 - a. APPLICATION SPECIFICATION SEE: AS-31402-000
 - COMPONENTS ARE OPTIONAL AND MUST BE PURCHASED SEPERATELY
 2. PRODUCT SPECIFICATION
 - GMW3191, JUNE 2012 SEQ #286 CONNECTOR MOUNTING FEATURE MECHANICAL STRENGTH.
 - DIRECTION F1 TO F5 SHALL BE > 50 N
 - DIRECTION F6 SHALL BE > 110N
 3. PACKAGING SPECIFICATION SEE PK-31300-256
 - d. PARTS MUST BE IN COMPLIANCE TO MOLEX CHEMICAL SUBSTANCES FOR PRODUCTS AND PACKAGING SPECIFICATION: OEHS-699000-300
 - e. DATA MUST BE SUBMITTED UNDER THE MOLEX PART NUMBER TO IMDS (COMPANY ID#13255)
2. DESIGN - MATERIALS: PBT 30% GLASS FILLED
3. DESIGN GEOMETRY:
 - a. THIS IS A 100% CAD GENERATED PART. THE CAD MATHEMATICAL DATA IS THE MASTER FOR THIS PART. FOR DIMENSIONAL OR ANY INFORMATION NOT SHOWN ON THIS DRAWING, ANALYZE THE CAD MODEL.
 - b. DIMENSION TOLERANCES PER:0.3
 - c. VISUAL DEFECTS SHALL MEET COSMETIC STANDARD PS-45499-002 (CLASS B).
 - d. DRAFT OF 2° PRESENT.
 - e. ALLOWABLE FLASH, PARTING LINES MISMATCH, EJECTOR PINS MARK, AND GATE VESTIGE TO BE +0.30 MAX PROTUSION.

INSPECTION BALLOON NUMBER LOG

PER DRAWING REVISION: INITIAL
 LAST BALLOON NUMBER USED: 5
 ADDED BALLOON NUMBERS:
 REMOVED BALLOON NUMBERS:

A RELEASE FOR SALSA
 SAP # 10668642

INITIAL RELEASE EC NO: UA02015-0933 DRAWING I/O: CHKD: JDENG02 APPROD: LISLE 2014/11/14 2014/11/14 2015/01/16	QUALITY SYMBOLS ▽=0 ▽=0 ▽=0	GENERAL TOLERANCES (UNLESS SPECIFIED)		DIMENSION STYLE		SCALE	DESIGN UNITS	THIRD ANGLE PROJECTION
		mm INCH		MM ONLY		5:1	METRIC	
		4 PLACES ± --- ± ---		DRAWN BY DATE		TITLE		
		3 PLACES ± --- ± ---		GL104 2014/11/11		0.64MM 8 WAY WIRE DRESS COVER HORIZONTAL		
2 PLACES ± --- ± ---		CHECKED BY DATE		DOCUMENT NO.		SHEET NO.		
1 PLACE ± --- ± ---		JDENG02 2014/11/14		SD-31414-860		1 OF 1		
0 PLACE ± --- ± ---		APPROVED BY DATE		THIS DRAWING CONTAINS INFORMATION THAT IS PROPRIETARY TO MOLEX INCORPORATED AND SHOULD NOT BE USED WITHOUT WRITTEN PERMISSION				
ANGULAR ± 1°		MATERIAL NO.						
DRAFT WHERE APPLICABLE MUST REMAIN WITHIN DIMENSIONS		SEE CHART						