

DMX, INC. SD-35282-1010

SIMILAR ITEM

PROJECT NO.

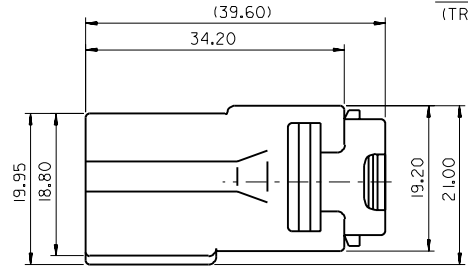
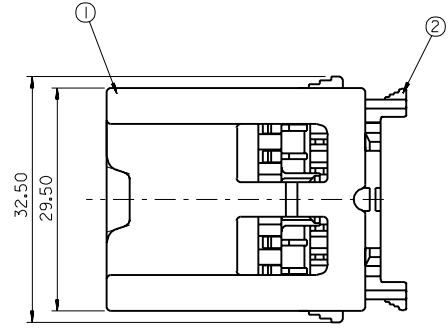
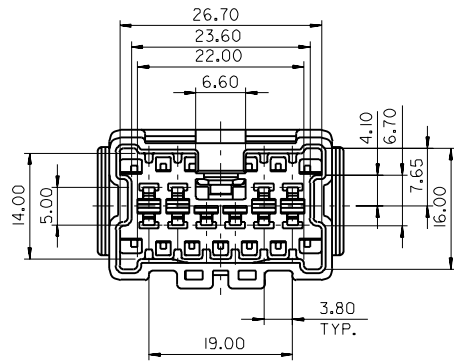
E

D

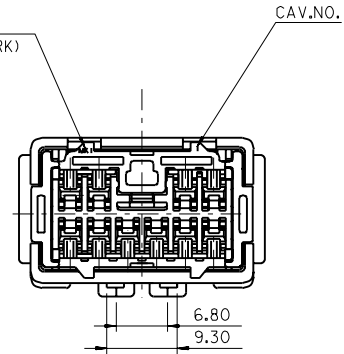
C

B

DO NOT SCALE DRAWING  
DIMENSION IN METRIC



MKI  
(TRADE MARK)



ASS'Y NO.	MATERIAL NO.	PART NAME	COLOR	MATERIAL
35282-1010	① 352821090	090 W/W MALE HOUSING-IOP	NATURAL	POLYESTER (PBT)
	② 352831081	090 W/W MALE TPA-IOP	BLACK	
35282-1013	① 352821093	090 W/W MALE HOUSING-IOP	YELLOW	
	② 352831081	090 W/W MALE TPA-IOP	BLACK	

REVISIONS TO PART NUMBER DRAWN: S.M.H. 06/09/09 DIMENSION: 06/09/09 APPROVED: S.M.H. 06/09/09 DATE: 06/09/09	QUALITY SYMBOLS MAJOR CRITICAL	GENERAL TOLERANCES: (UNLESS SPECIFIED) DIM.    TOL.    UNIT 4 PLACES    .00    ±    INCH 3 PLACES    .00    ±    INCH 2 PLACES    .00    ±    INCH 1 PLACE    .00    .30    ±    INCH ANGULAR: ± .10 °	SCALE: 1:1 DESIGN UNITS: DIMMM DIMINCH DRAWN BY & DATE: W.Y. YANG, 97/11/17 CHECKED BY & DATE: B.K. CHOI, 97/11/17 APPROVED BY & DATE: C.W. LEE, 97/11/17	THIRD ANGLE PROJECTION DIMENSIONS: DIM INCH DIM MM DIM ONLY SHEET REV. REVISE ON CAD ONLY
	TITLE: UNICONN MALE ASS'Y-IOP MOLEX INCORPORATED MATERIAL NO.: SD 35282-1010 DRAWING NO.: SD 35282-1010 SHEET NO.: 1/1 SIZE: C	DRAFT WHERE APPLICABLE MUST REMAIN WITHIN DIMENSIONS THIS DRAWING CONTAINS INFORMATION THAT IS PROPRIETARY TO MOLEX INCORPORATED AND SHOULD NOT BE USED WITHOUT WRITTEN PERMISSION.		

MX-A2