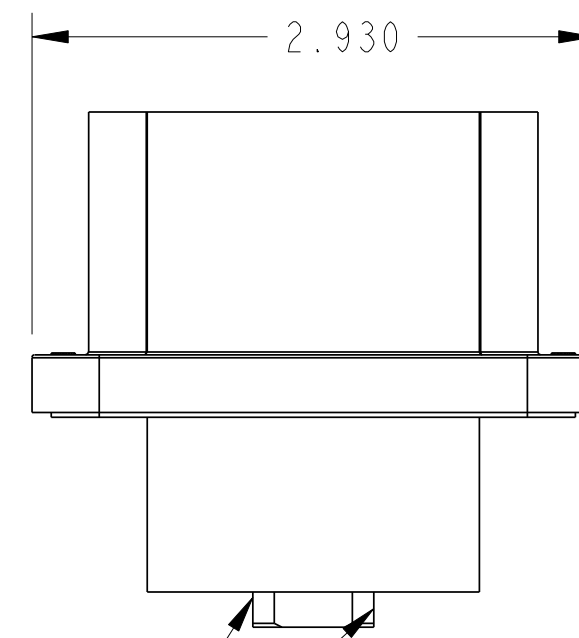
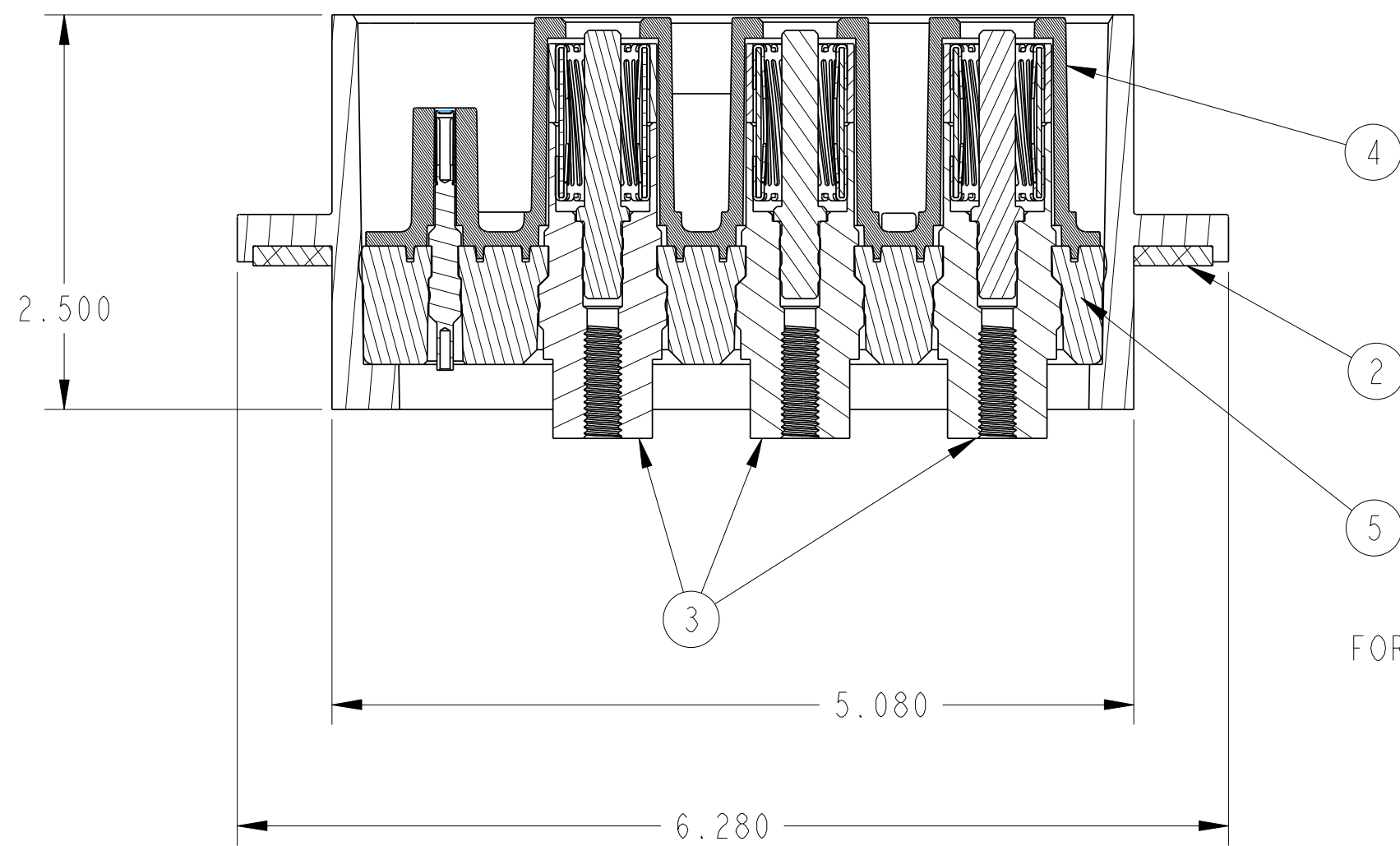
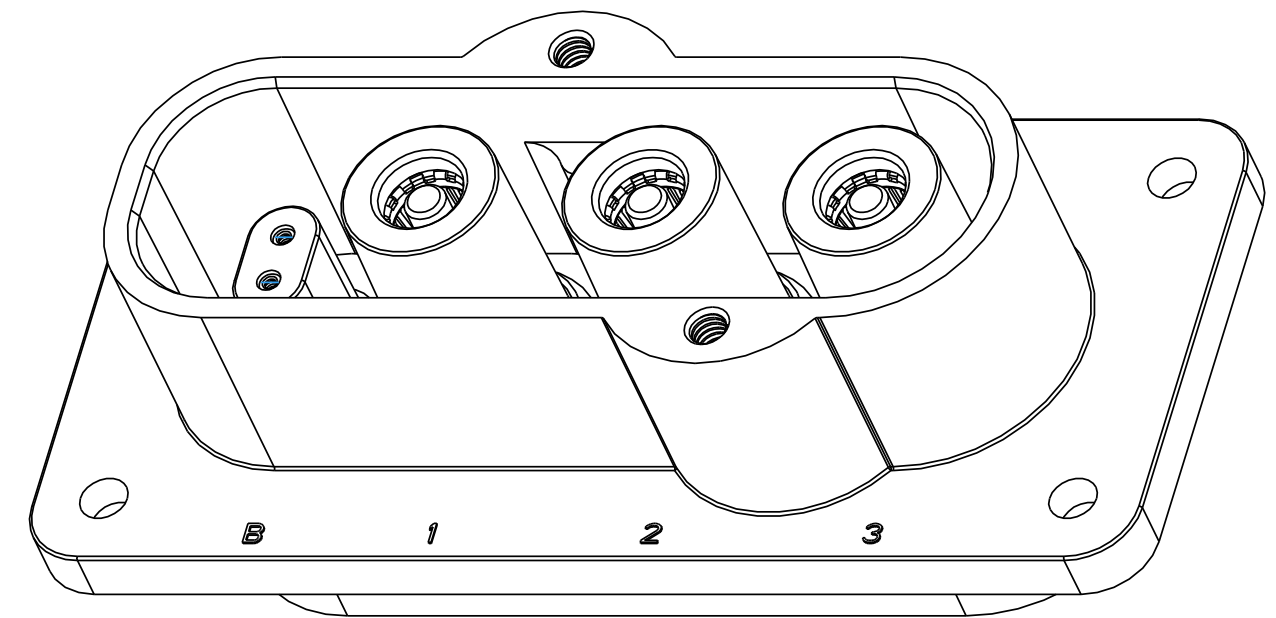
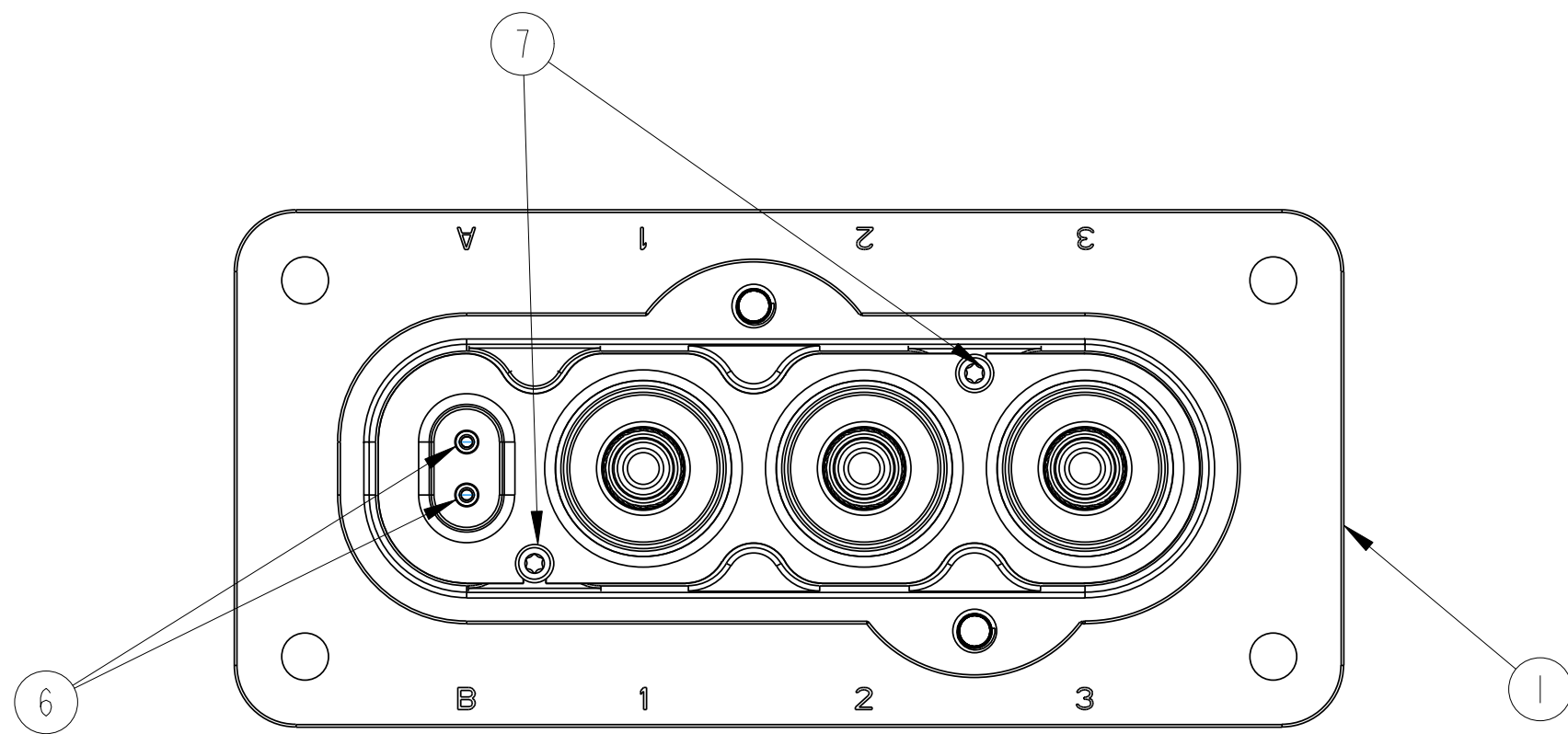


REV. PA6	SHEET 1 OF 4	DOCUMENT NO. 10-643580
REVISIONS		
LTR	DESCRIPTION	DATE
PA4	CHANGES TO TABLE/PART OPTIONS	03-09-11
PA5	ADDED PANEL CUTOUT REF	06-28-11
PA6	CHANGED PICTORIALY	07-21-11



FOR BUSBAR TERMINATION:
CONTACT FLATS TO BE
ALIGNED WITH INSERT

SECTION A-A

- 3. SEE PAGE 4 FOR PANEL CUTOUT REFERENCE SHEET.
- 2. SEE PAGE 3 FOR RECEPTACLE ASSEMBLY OPTIONS AND PART NUMBER VARIATIONS.
- 1. ASSEMBLY CONNECTOR FOR SHIPMENT AS SHOWN. EXPECT PACKAGE ITEM #6 SEPARATELY.

NOTES:

THE USE OF THIS DOCUMENT IS UNLIMITED. HOWEVER, DOCUMENTS REFERENCED HEREON MAY CONTAIN LIMITED RIGHTS DATA.

N/A	PRO/ENGINEER INFORMATION
N/A	Pro/e Model Used: 10-643580.ASSEM
NEXT ASSEMBLY	Drawing Name: 10-643580

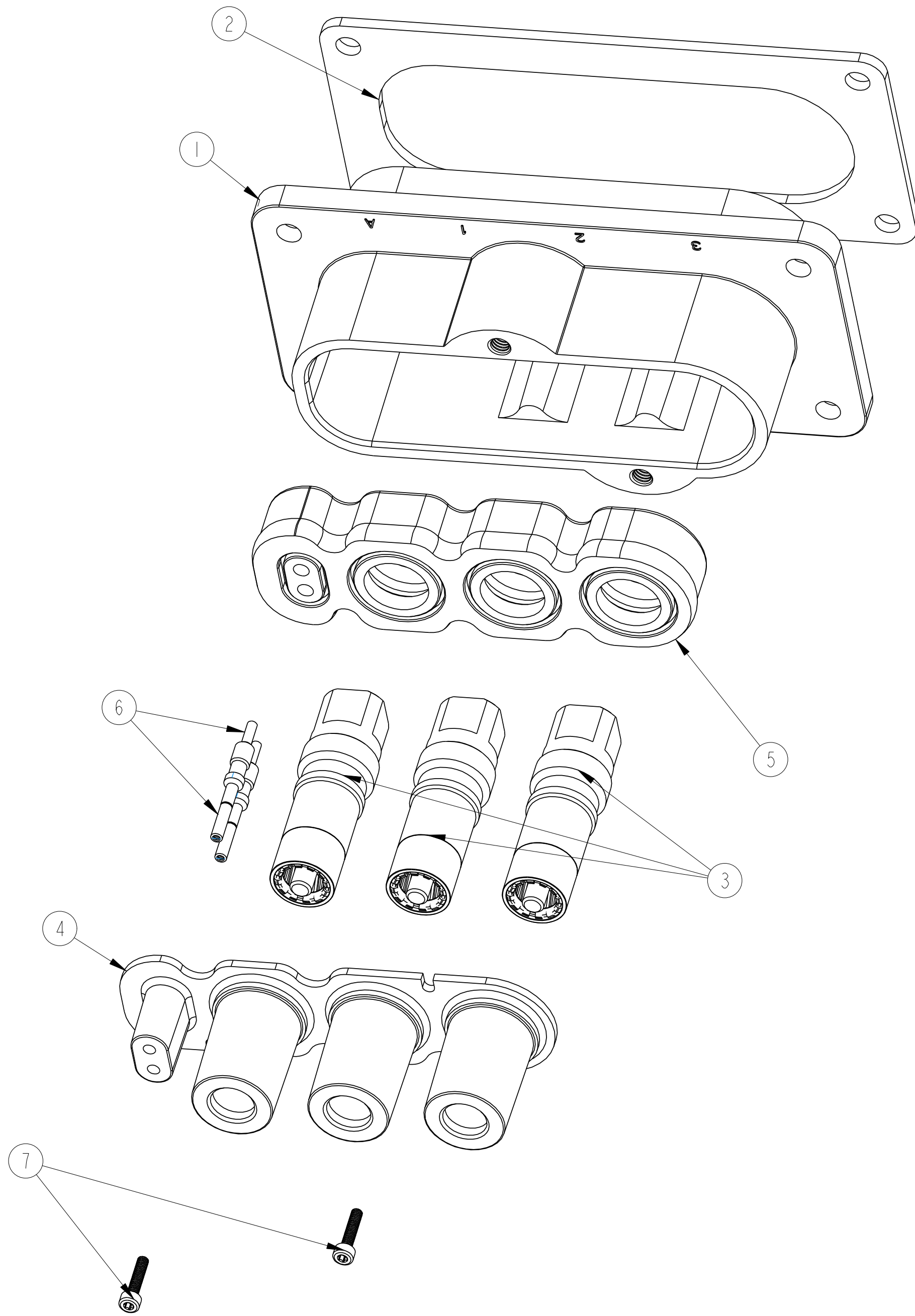
UNLESS OTHERWISE SPECIFIED	SPECIFICATIONS
LINEAR DIMENSIONS ARE IN INCHES TOLERANCES: .XXXX = ±.0005 ANGLES= ±2° .XXX = ±.010 .XX = ±.03 .X = ±.1	MATERIAL SPEC. N/A
DIM. & TOL. PER ASME Y14.5M; DRM PER MIL-DTL-31000; OTHER Amphenol Stds. PER 9-3800	PROCESS SPEC. N/A
LEGENDS: = FLAG NOTE CALL OUT REFERENCE ONLY	

POS	QTY	PART NUMBER	DESCRIPTION	NOTE
7	2	10-643799-000	SCREW M3x.5 - 14mm LONG	
6	2	10-643776-000	SIZE 16 SOCKET ASSEMBLY	
5	1	10-643803-000	BACKCAP	
4	1	10-643801-000	INSULATION	
3	3	SEE TABLE	11.1mm RADSOK CONTACT ASSEMBLY	2
2	1	10-643756-002	FLANGE GASKET	
1	1	SEE TABLE	RECEPTACLE	2

APPROVALS		DATE	PARTS LIST	
PREPARED BY	R. BALDWIN	03-09-11	AMPHENOL CORPORATION 4080 DELAWARE AVENUE SIDNEY, N.Y. 13838	
ENGINEER IN CHARGE	A. POLISHAK			
DESIGN MANAGER	S. FITZGERALD			
DESIGN ACTIVITY GROUP	C & I			
THIRD ANGLE PROJECTION			SIZE	C
			CAGE CODE	77820
			DOCUMENT NO.	10-643580
			REV.	PA6
SCALE: 1.0 REF:				SHEET 1 OF 4

DOCUMENT NO. 10-643580
 SHEET 1 OF 4
 REV. PA6
 C:\U.E.Rev.B

DOCUMENT NO. 10-643580
 SHEET 1 OF 4
 REV. PA6



DOCUMENT NO. 10-643580
 SHEET 2 OF 4
 REV. PA6

DOCUMENT NO. 10-643580
 SHEET 2 OF 4
 REV. PA6

THE USE OF THIS DOCUMENT IS UNLIMITED. HOWEVER, DOCUMENTS REFERENCED HEREON MAY CONTAIN LIMITED RIGHTS DATA.

SIZE C	CAGE CODE 77820	DOCUMENT NO. 10-643580	REV. PA6
SCALE: 1.0		REF:	SHEET 2 OF 4

KEY CODING	KEY POSITION			ITEM #1 * See Finish Coding
	1	2	3	
1	NO KEY	NO KEY	NO KEY	10-643560-01(*)
2	KEY	NO KEY	NO KEY	10-643560-02(*)
3	KEY	KEY	NO KEY	10-643560-03(*)
4	KEY	KEY	KEY	10-643560-04(*)
5	NO KEY	KEY	NO KEY	10-643560-05(*)
6	NO KEY	KEY	KEY	10-643560-06(*)
7	NO KEY	NO KEY	KEY	10-643560-07(*)
8	KEY	NO KEY	KEY	10-643560-08(*)

TERMINATION CODING	TERMINATION TYPE	ITEM #3
1	50mm ² Wire Crimp	10-643777-001
2	75mm ² Wire Crimp	10-643777-002
3	90mm ² Wire Crimp	10-643777-003

CODE LOGIC

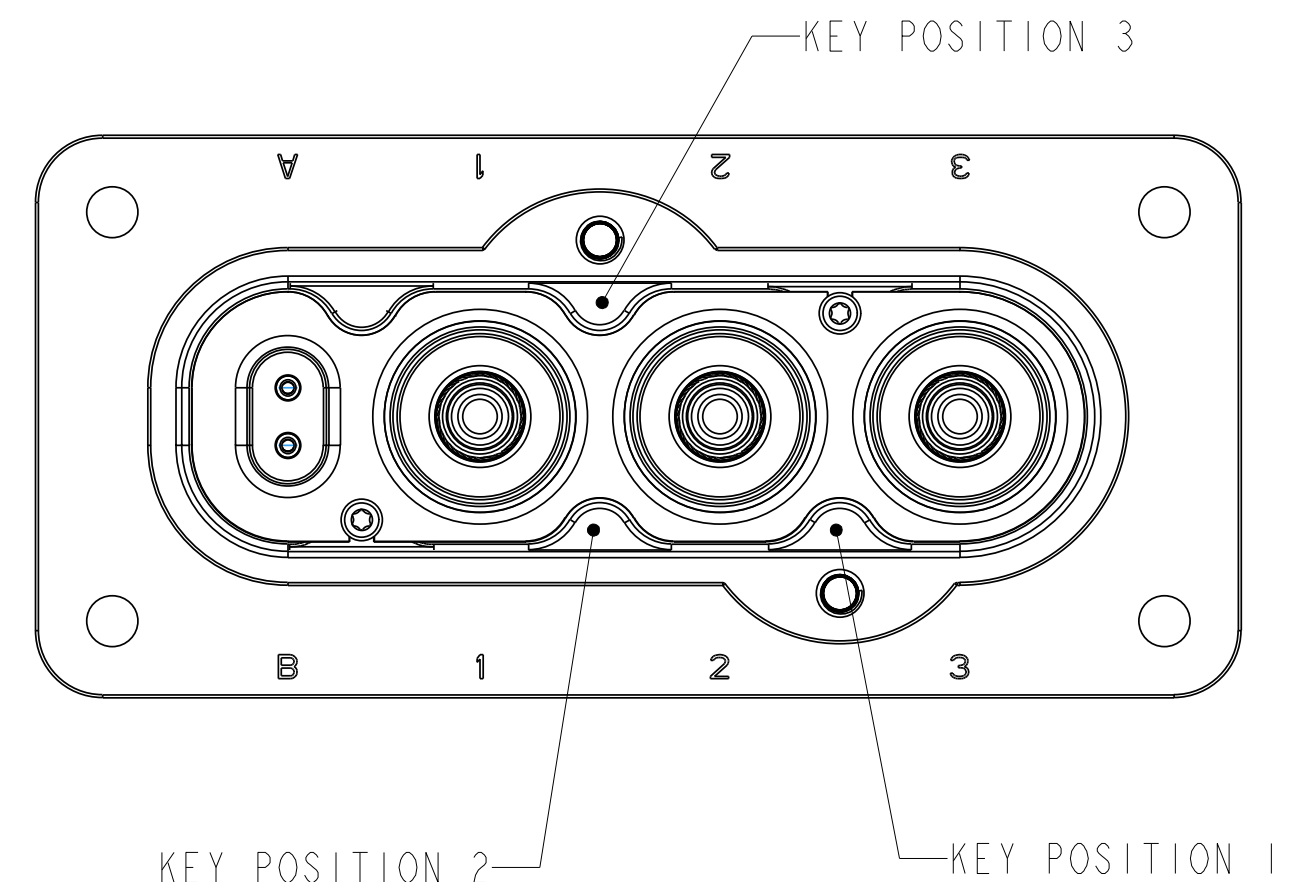
10-643580-() () ()

BASE NUMBER

FINISH CODING:
 (I) Electroless Nickel Plate
 (FG) Bright Tin Over Electroless Nickel
 (B) No Plating

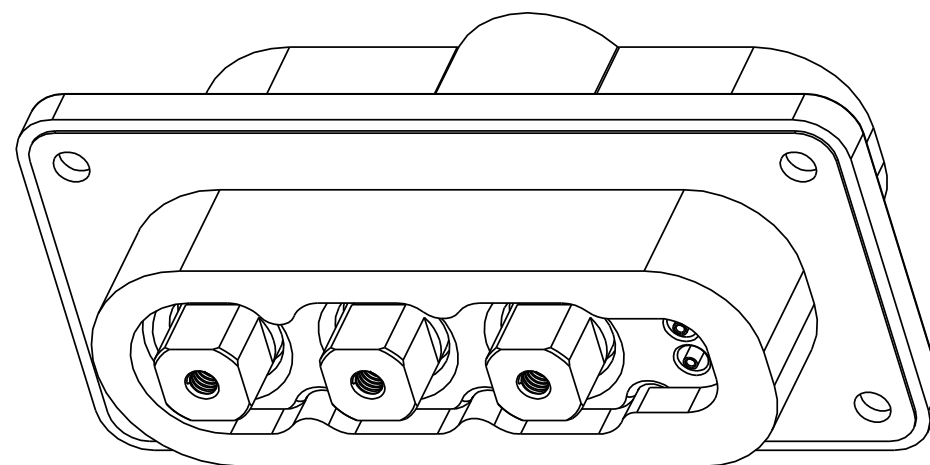
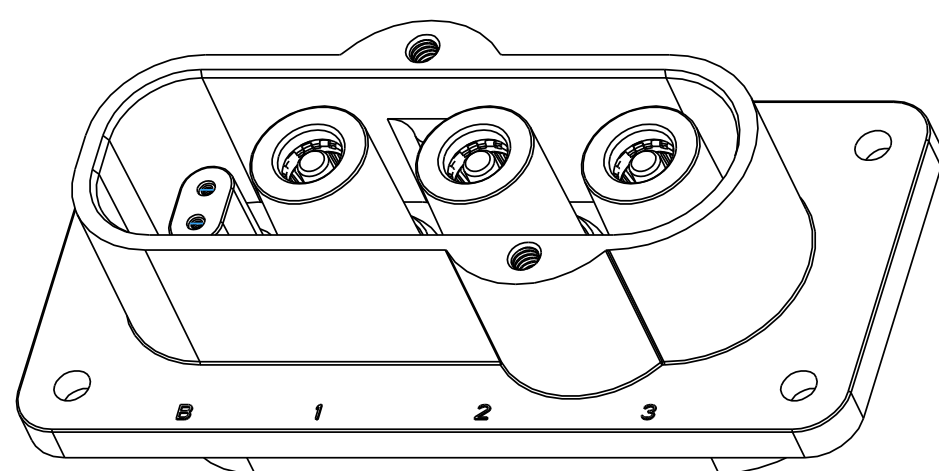
KEY CODING:
 See Table

CONTACT TERMINATION CODING:
 See Table

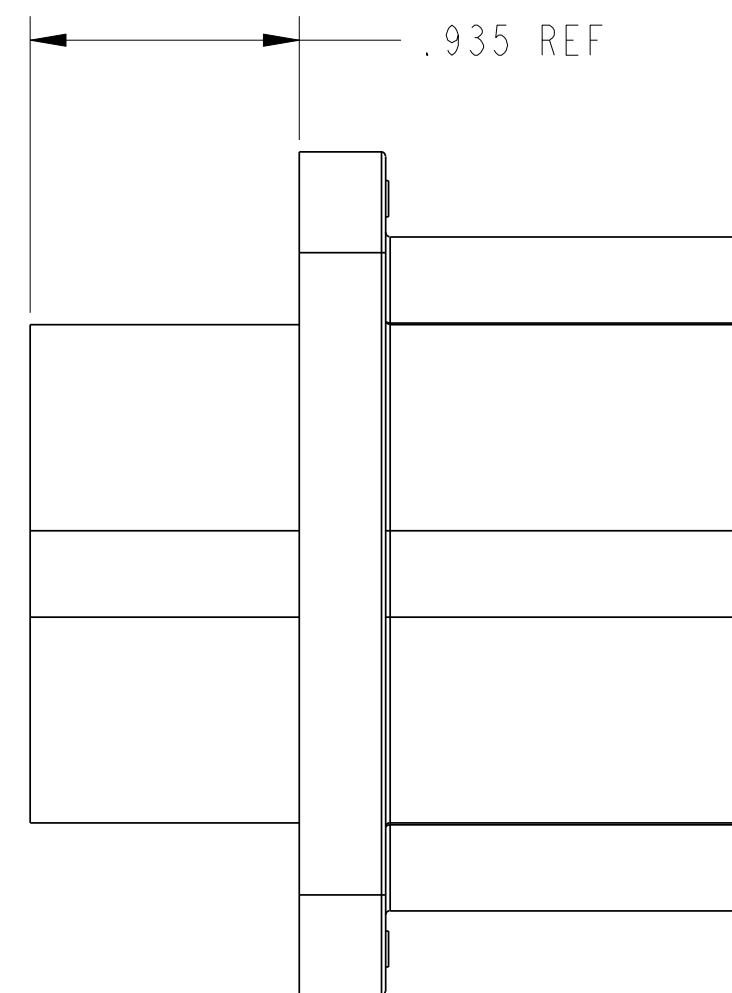
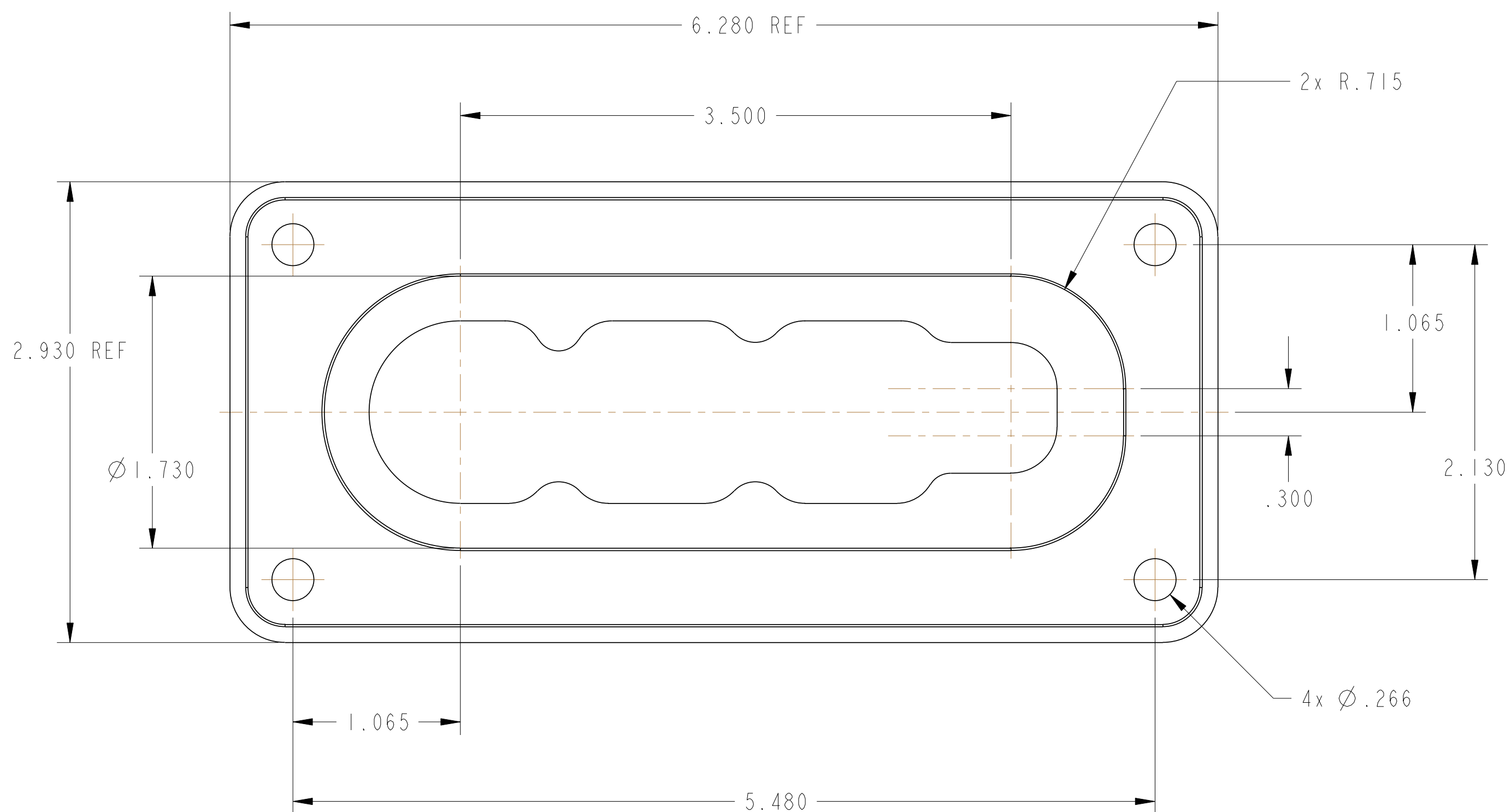


THE USE OF THIS DOCUMENT IS UNLIMITED. HOWEVER, DOCUMENTS REFERENCED HEREON MAY CONTAIN LIMITED RIGHTS DATA.

PANEL CUTOUT REFERENCE SHEET



ISO VIEW



THE USE OF THIS DOCUMENT IS UNLIMITED.
HOWEVER, DOCUMENTS REFERENCED HEREON
MAY CONTAIN LIMITED RIGHTS DATA.

SIZE C	CAGE CODE 77820	DOCUMENT NO. 10-643580	REV. PA6
SCALE: 1.0		REF:	SHEET 4 OF 4