

Grove Mesh Kit for nRF52840-MDK

SKU 110061007

Grove Mesh Kit for nRF52840-MDK is a very versatile mesh networking development kit. It integrates **nRF52840-MDK** development board, **Base Dock** and **SeeedStudio**'s most popular and easy-to-use **Grove Modules**.

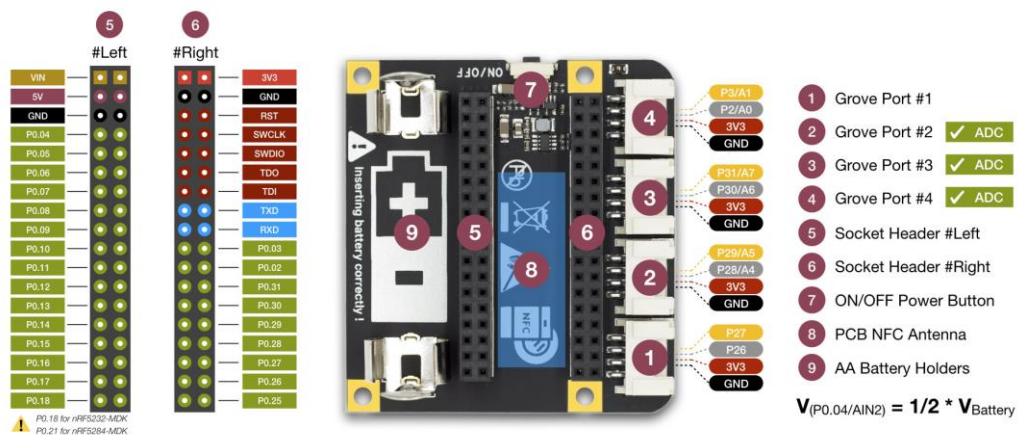
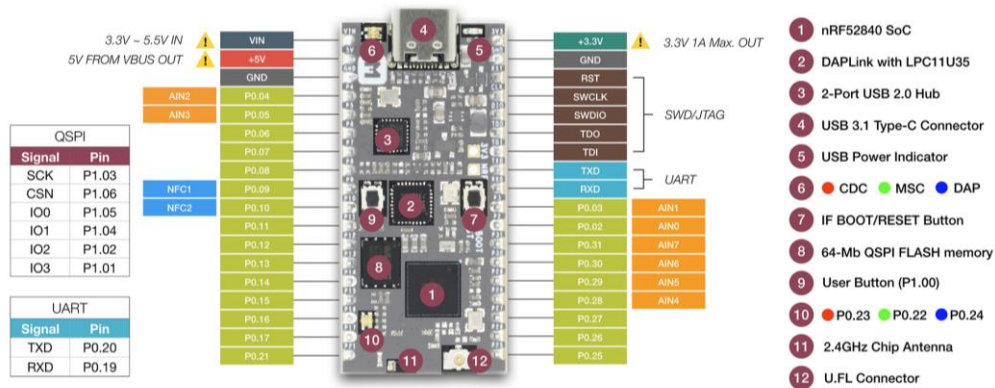
Grove Mesh Kit takes full advantage of the multiprotocol capabilities of the nRF52840 SoC by supporting **Bluetooth Mesh** and **OpenThread Mesh** networking. It allows developers to create IoT applications with Mesh Network Connectivity in a very short time.

Features

- The key features of the Grove Mesh Kit are:
- nRF52840 Micro Development Kit(nRF52840-MDK)
- nRF52840 Advanced Bluetooth 5, Thread and Zigbee multiprotocol SoC
- Program/Debug options with DAPLink
- Microchip 2-Port USB 2.0 Hi-Speed Hub Controller
- External ultra-low power 64-Mb QSPI FLASH memory
- On-board 2.4G chip antenna
- U.FL connector selectable for external antenna
- Reversible USB 3.1 Type-C Connector

- Buttons and LEDs for user interaction
- Up to 24 GPIOs available via headers
- Base Dock (Grove Compatible)
- Dual 2x18 Socket Headers
- 4 Grove connectors with UART/I2C/I2S/PDM/QDEC/SPI/ADC selectable
- Supporting NFC-A Listen Mode with PCB NFC Antenna
- AA Battery power supply Power
- Button with Latching Circuit
- Battery level sensing
- 6 easy-to-use
- Grove modules
- Grove - Button
- Grove - Light Sensor
- Grove - Rotary Angle Sensor
- Grove - Sound Sensor
- Grove - Temperature Sensor
- Grove - Touch Sensor

Block Diagram



Part List

1 x Grove - Button
1 x Grove - Temperature Sensor
1 x Grove - Rotary Angle Sensor
1 x Grove - Sound Sensor
1 x Grove - Touch Sensor
1 x Grove - Light Sensor v1.2
1 x nRF52840 Micro Development Kit
1 x nRF52840 MDK Base Dock

ECCN/HTS

ECCN	ERA99
HSCODE	9023009000
UPC	

Tutorials

We think the best way to learn is by doing. And to help you get started, we have provided a series of tutorials. Find the details below.

- [Getting Started with Grove Mesh Kit](#)
- [Grove Mesh Kit with nRF5 SDK](#)
- [Bluetooth Mesh Networking](#)
- [OpenThread Mesh Networking](#)

