

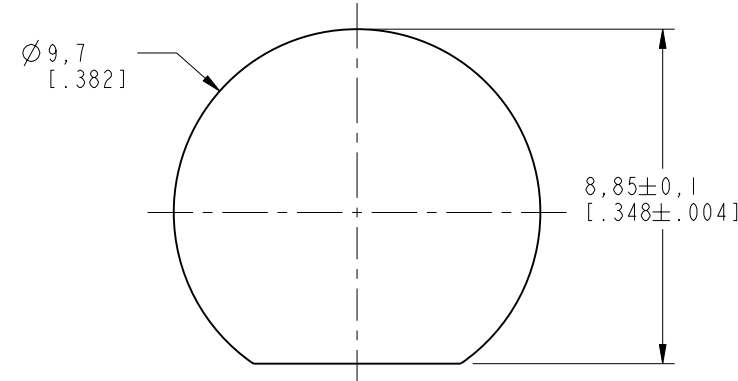
NOTES:

1. MATERIALS AND FINISHES:
 SOLDER TAG - BRASS, NICKEL PLATING
 HEX NUT - BRASS, NICKEL PLATING
 LOCKWASHER - BRASS, NICKEL PLATING
 BODY - BRASS, NICKEL PLATING
 CONTACT - PHOSPHOR BRONZE, GOLD PLATING
 INSULATOR - PTFE, NATURAL
2. ELECTRICAL:
 A. IMPEDANCE: 50 OHMS
 B. FREQUENCY RANGE: DC - 11 GHz
 C. DIELECTRIC WITHSTANDING VOLTAGE: 1500 VRMS, MIN.
3. MECHANICAL:
 A. DURABILITY: 500 CYCLES MIN.
 B. TEMPERATURE RANGE: -40°C TO +85°C
4. MAX. PANEL THICKNESS = 6.3 mm

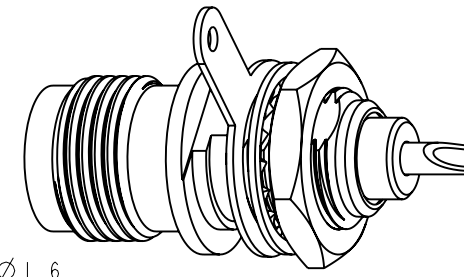
THIRD ANGLE PROJ.

REVISIONS

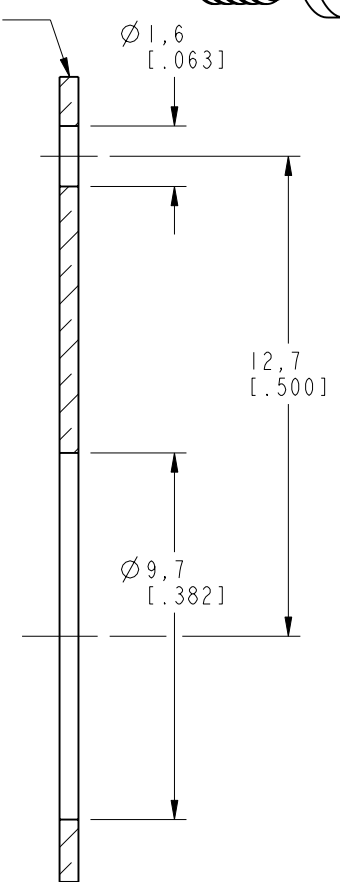
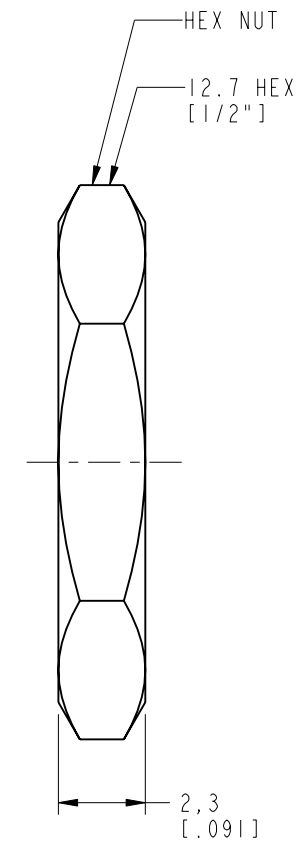
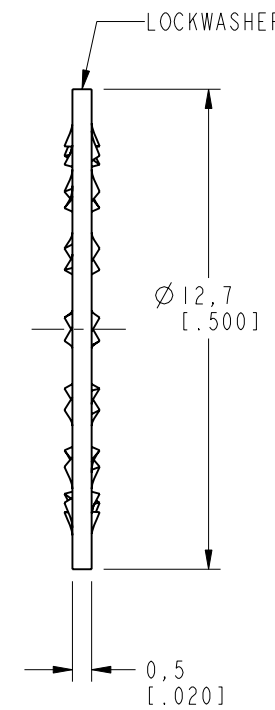
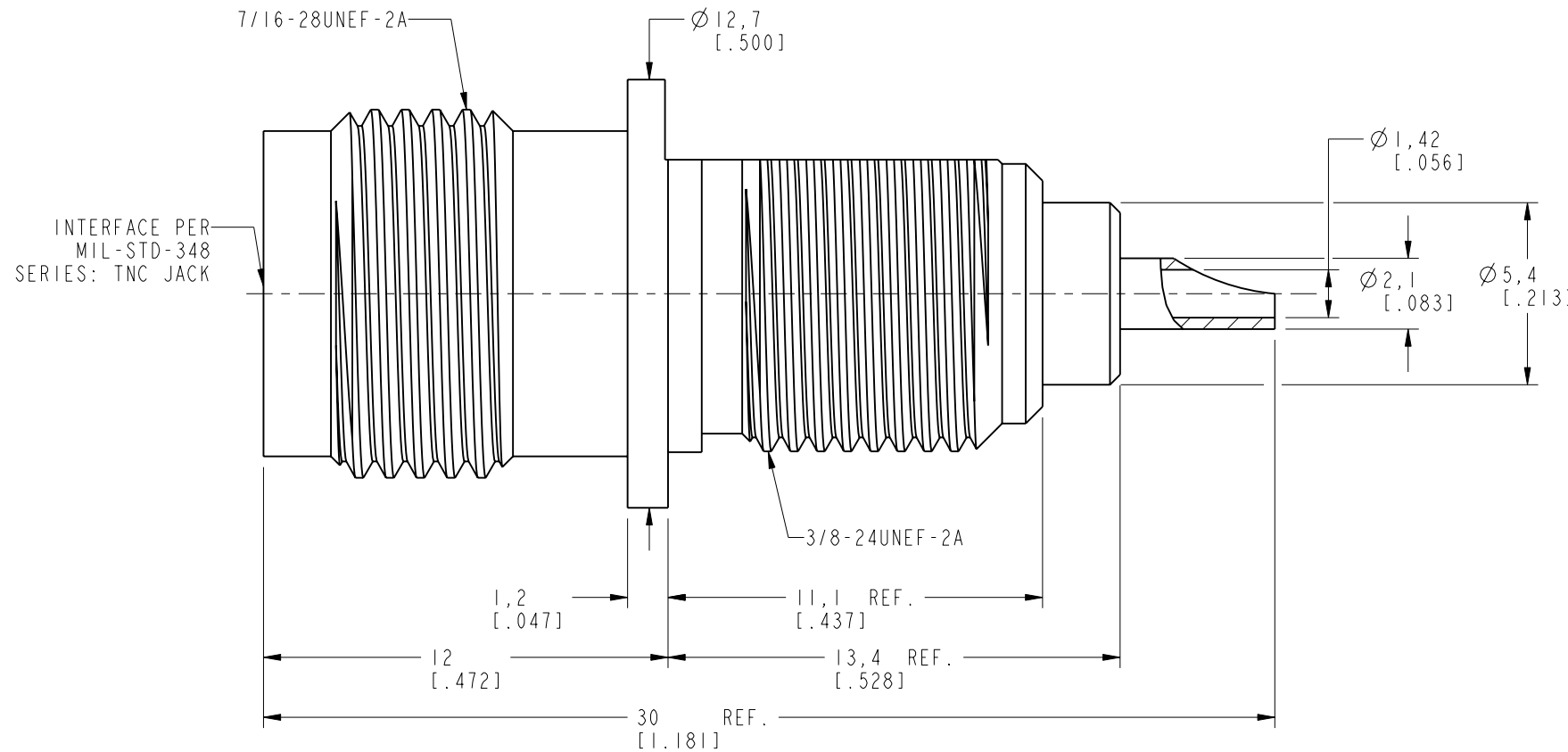
REV	DESCRIPTION	DATE	ECN	APPR
NC	INITIAL RELEASE	--	----	--
A	UPDATE DRAWING FORMAT	10-Jun-04	----	GRS
B	SYNC, ADDED NOTES 4	28-Jan-19	10382	SH



RECOMMENDED
CABLE STRIPPING DIM'S



SCALE 2.000



CUSTOMER OUTLINE DRAWING
ALL OTHER SHEETS ARE FOR INTERNAL USE ONLY

UNLESS OTHERWISE SPECIFIED, DIMENSIONS ARE IN METRIC AND TOLERANCES ARE:
 <0.5mm ±0.05mm 0.5 - 6mm ±0.1mm 6 - 30mm ±0.2mm 30 - 120mm ±0.3mm ANGLES ±1°

NOTICE - These drawings, specifications, or other data (1) are, and remain the property of Amphenol corp. (2) must be returned upon request; and (3) are confidential and not to be disclosed to any person other than those to whom they are given by Amphenol Corp. the furnishing of these drawings, specifications, or other data by Amphenol Corp., or to any other person to anyone for any purpose is not to be regarded by implication or otherwise in any manner licensing, granting rights to permitting such holder or any other person to manufacture, use or sell any product, process or design, patented or otherwise, that may in any way be related to or disclosed by said drawings, specifications, or other data.

MATERIAL	SEE NOTES
REFERENCE	
EAR#	
REF:	
CONFIGURATION LEVEL:	
FINISH	

DRAWN	M. ZHANG	DATE	28-Jan-19
ENGINEER	TONY	DATE	02-Nov-02
APPROVED	S.HSIEH	DATE	28-Jan-19
CAD FILE			

TITLE		TNC BULKHEAD RECEPT. JACK	
SCALE: 5.0:1.0		SHEET 2 OF 2	
DWG SIZE	B	REV	B

Amphenol RF	
www.amphenolrf.com	
DRAWING NO.	T6351B2-ND3G-50
ITEM NO.	026351AAA0IND5F
PART NO.	122334