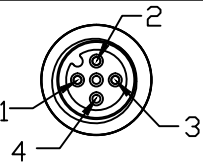
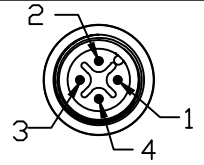


FEMALE INSERT
FACE VIEW

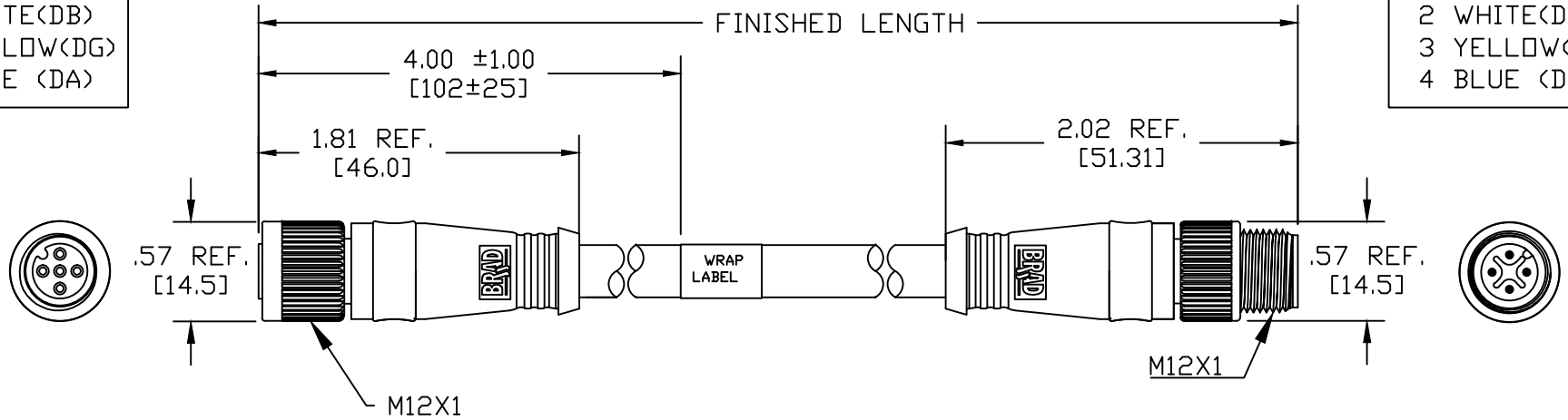


- 1 DRAIN WIRE
- 2 WHITE<DB>
- 3 YELLOW<DG>
- 4 BLUE <DA>

MALE INSERT
FACE VIEW



- 1 DRAIN WIRE
- 2 WHITE<DB>
- 3 YELLOW<DG>
- 4 BLUE <DA>



CC22A-J33-M020

Wire type
20/3C AWG Dark Brown
PVC

cable length
M020----2 Meter
M100-----10 Meter

MECHANICAL
CONTACT: GOLD/NICKEL OVER COPPER ALLOY
INSERT : NYLON 6/6
O-RING: RED VITON
COUPLING NUT: ZINC DIECAST WITH BLACK EPOXY COATED
MOLDED BODY: GREY PVC
CABLE COLOR: DARK BROWN
CABLE MARKING: FANC-110SBZ-5 KURAMO FA(JAPANESE WORDS)
CC-LINK Ver.1.10 Max. Trans. Length 50% **LF

ELECTRICAL
VOLTAGE RATING: 250V AC/DC
AMPERAGE: 4A

ENVIRONMENTAL
PROTECTION: IP67 PER IEC 60529
IP68 PER SPEC PS-120001-001
OPERATION TEMP: 0°C~80°C

CABLE MARKING UPDATE EC NO: IFC2015-1192 DRWN: CAVILLES 2014/12/30 CHKD: TWOLDEGE APPR: JFMURPHY 2012/11/01	DESCRIPTION REV B	QUALITY SYMBOLS	GENERAL TOLERANCES (UNLESS SPECIFIED)		DIMENSION STYLE INCH/MM		SCALE 1:1	DESIGN UNITS INCH	THIRD ANGLE PROJECTION	
		▽=0 ▽=0	mm INCH 4 PLACES ±--- ±--- 3 PLACES ±--- ±.005 2 PLACES ±.13 ±.010 1 PLACE ±.25 ±.020	DRAWN BY DATE TWOLDEGE 2012/09/25 CHECKED BY DATE VOU --- APPROVED BY DATE JFMURPHY 2012/11/01	TITLE CC-LINK MICRO CHANGE 4-POLE M/FE STRIAIGHT 20/3C SHLDED D.BROWN PVC					
		ANGULAR ± 5°		DRAFT WHERE APPLICABLE MUST REMAIN WITHIN DIMENSIONS		MATERIAL NO.		DOCUMENT NO. SD-130259-003		SHEET NO. 1 OF 1
		SIZE A		THIS DRAWING CONTAINS INFORMATION THAT IS PROPRIETARY TO MOLEX INCORPORATED AND SHOULD NOT BE USED WITHOUT WRITTEN PERMISSION						