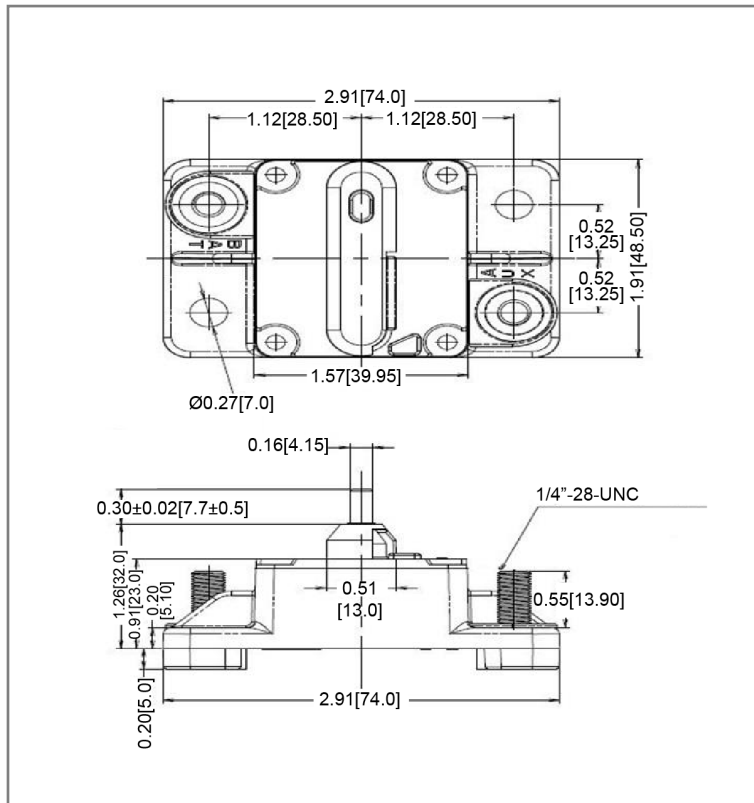


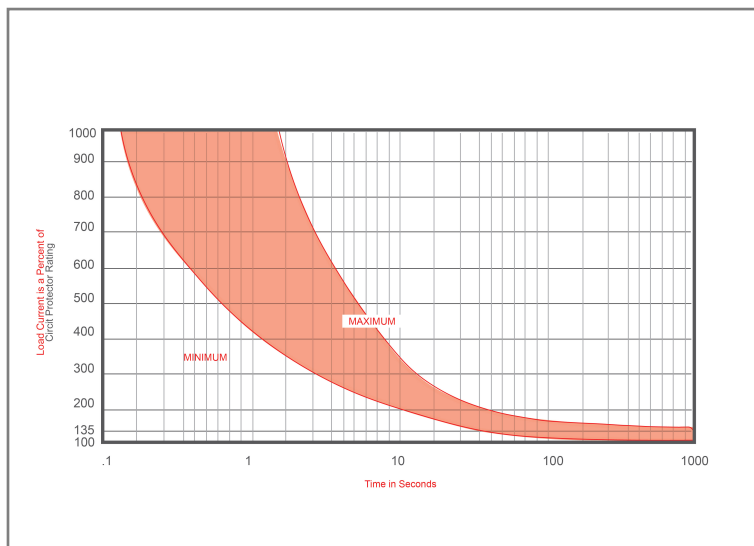
## Mechanical Dimensions: Inches [mm]



## Part Numbers Information

| Optifuse P/N | Current |
|--------------|---------|
| 153025       | 25A     |
| 153030       | 30A     |
| 153040       | 40A     |
| 153050       | 50A     |
| 153060       | 60A     |
| 153070       | 70A     |
| 153080       | 80A     |
| 153090       | 90A     |
| 153100       | 100A    |
| 153120       | 120A    |
| 153135       | 135A    |
| 153150       | 150A    |
| 153180       | 180A    |
| 153200       | 200A    |

## Time vs. Percent of Rated Current



| % of Rated Current | Min Hold Time           | Max Hold Time |
|--------------------|-------------------------|---------------|
| 100%               | No Trip ( ≥ 30 Minutes) |               |
| 135%               | 50s                     | 30m           |
| 200%               | 12s                     | 45s           |
| 300%               | 3.5s                    | 15s           |

Trip time: Ambient temperature 25°C ± 3°C

## Electrical Specifications

|                              |                         |
|------------------------------|-------------------------|
| <b>Voltage Rating</b>        | 42VDC (50A-150A 32VDC)  |
| <b>Reset Type</b>            | Type III - Manual Reset |
| <b>Interrupting Rating</b>   | 3000A @ 30VDC           |
| <b>Operation Temperature</b> | -25° F ~ 180° F         |
| <b>Testing</b>               | SAE J1625, IEC 60934    |

## Material Specifications

|                                       |   |
|---------------------------------------|---|
| High Amp - Waterproof Circuit Breaker |   |
| <b>Body Material</b>                  | Thermoset Plastic (UL94V-0)                   |
| <b>Terminals Configuration</b>        | 1/4"-28 Stud                                  |
| <b>Mounting Type</b>                  | Surface Mount                                 |
| <b>Ignition Protected</b>             | SAE J1171 and UL1500   <b>Waterproof</b> IP67 |



| Rev | Date of issue | Revision Notes  | Designed | Approved |
|-----|---------------|-----------------|----------|----------|
| A   | 05-18-2023    | Initial Drawing | RC       | OF       |