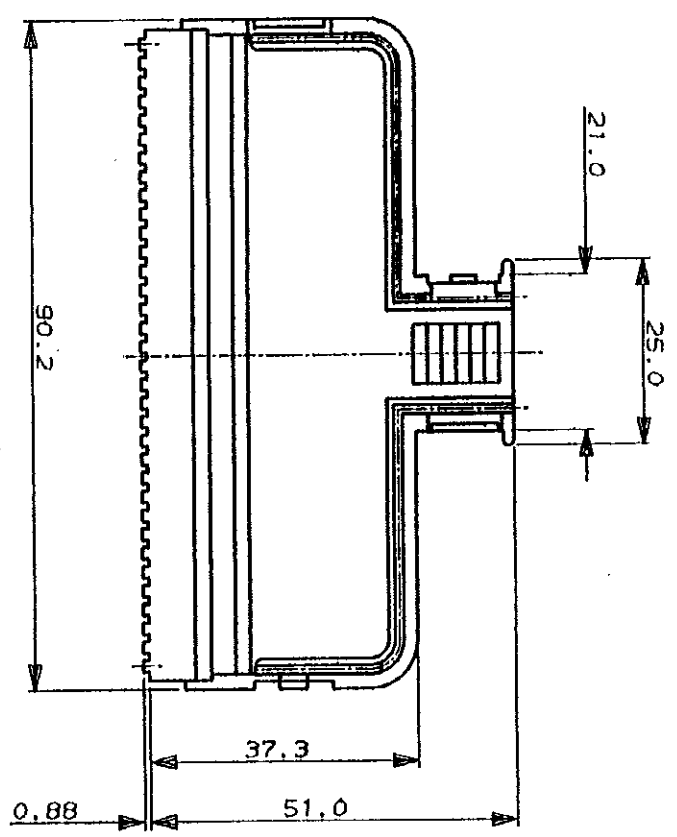
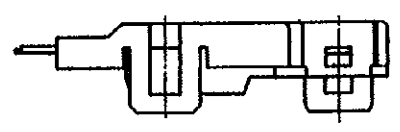


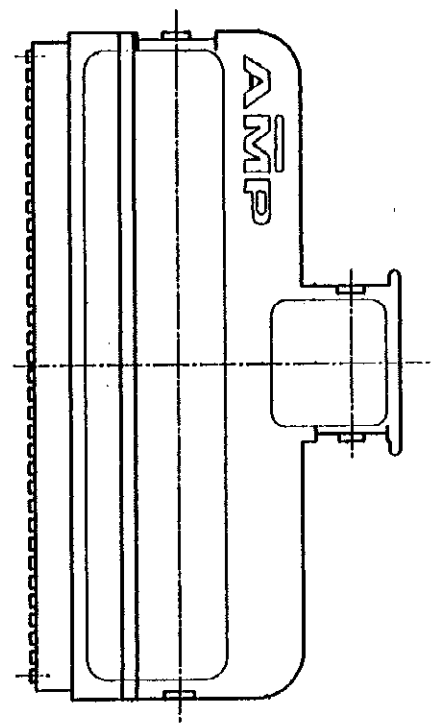
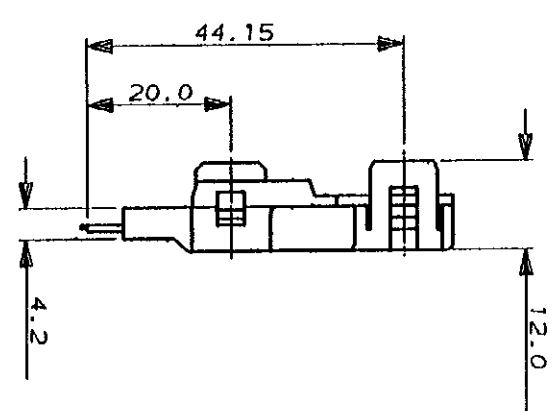
DIMENSIONS IN MILLIMETERS. DO NOT SCALE PRINT

PRINT DIST.

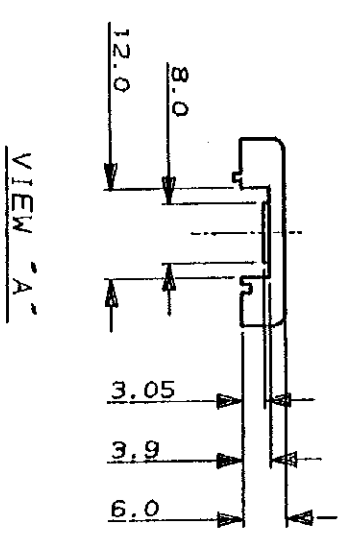
AMP-J  
REV. 10/1/89



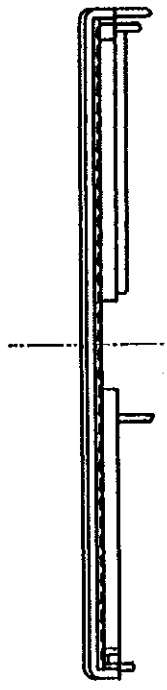
VIEW "A"



-1; AS SHOWN  
-1;



VIEW "A-A"



© 1989 BY AMP (JAPAN) LTD. ALL RIGHTS RESERVED. AMP PRODUCTS COVERED BY PATENTS AND OR PATENTS PENDING		<b>AMP</b> AMP (JAPAN), LTD. Tokyo, Japan	
WIRE RANGE mm <sup>2</sup> (AWG - )	INSULATION DIA mm	NAME CABLE COVER 68P 5200 CONN. SYSTEM (W-T-B)	
MATERIAL 478 (89) DE. 478 (89)	FINISH H	GENERAL TOLERANCE 0-25k ± 0.2 25-50k ± 0.25 50-100k ± 0.3 ANGLES ± 0.5°	SIZE LOC NUMBER A3 J C-175601
LTR A REV. 1 REVISION RECORD DR. H. Amikura CHK. S. Sakai DATE 6/12/89	DR. H. Amikura CHK. S. Sakai DATE 6/12/89	SCALE 1-1	REV. A SHEET 1 OF 1

CUSTOMER DRAWING