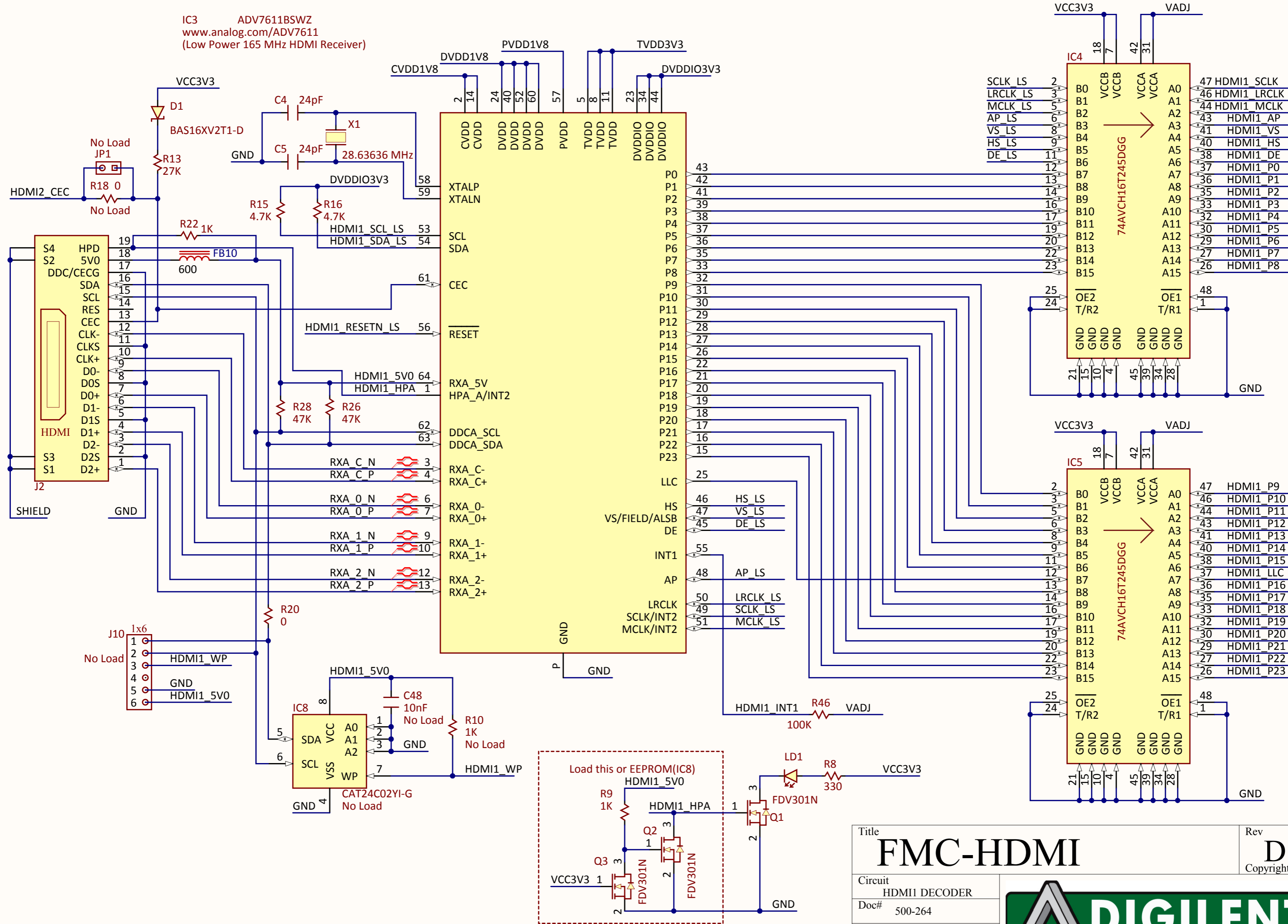


Foot
F1
Foot
F2

Chinese ROHS ROHS CE Digilent Inc.

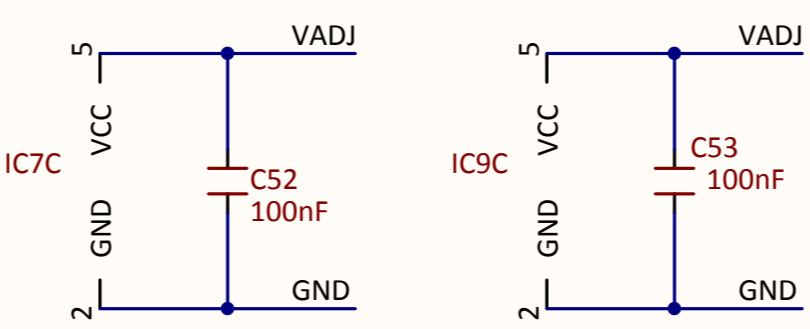
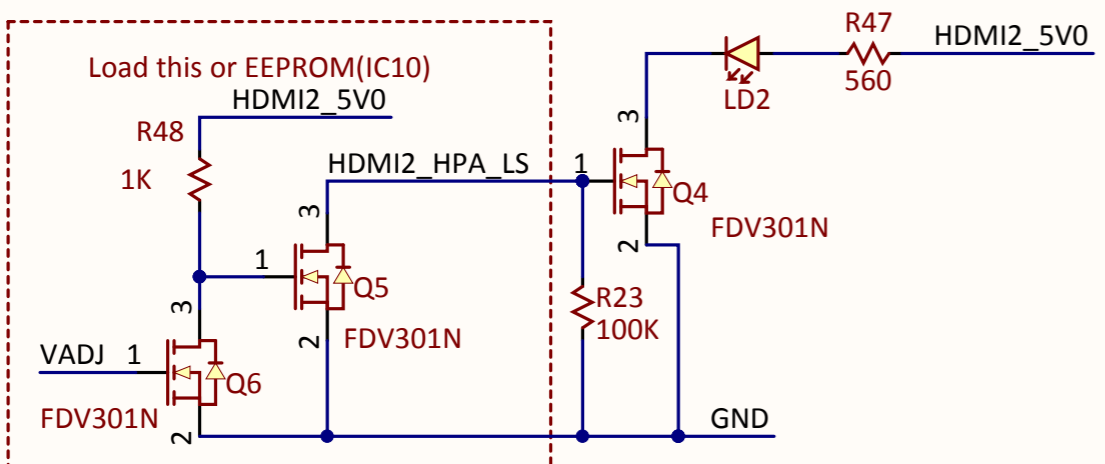
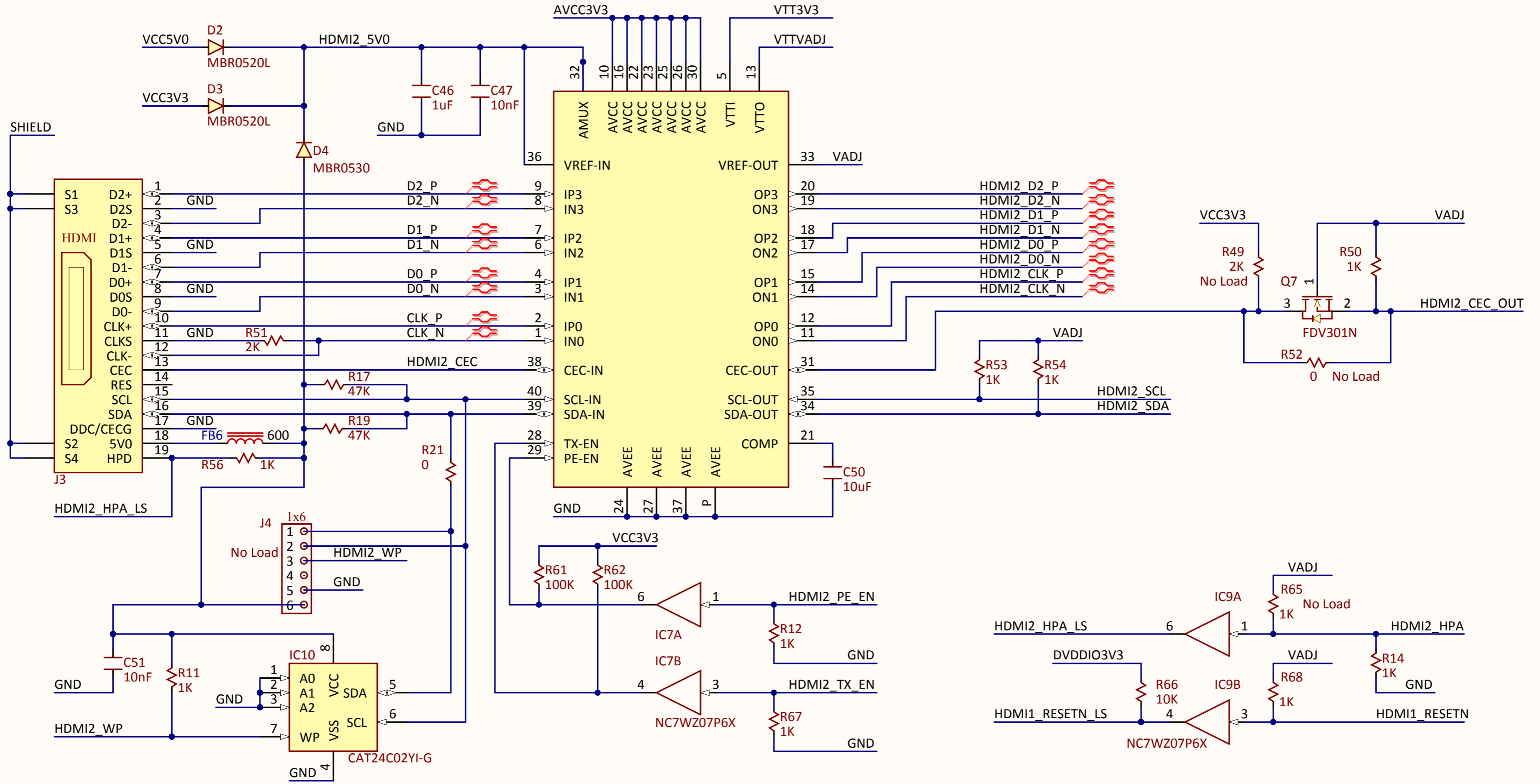
Title FMC-HDMI		Rev D.0 Copyright 2013
Circuit FMC CONNECTOR		
Doc# 500-264		
Engineer EG		
Author DL		
Date 8/2/2013		
Sheet# 1 out of 4		

IC3 ADV7611BSWZ
 www.analog.com/ADV7611
 (Low Power 165 MHz HDMI Receiver)



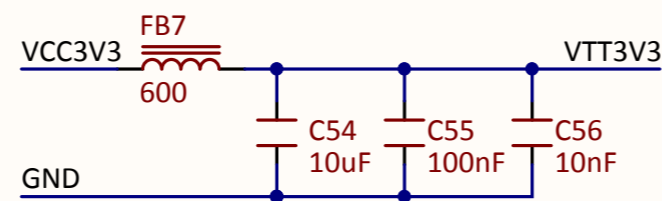
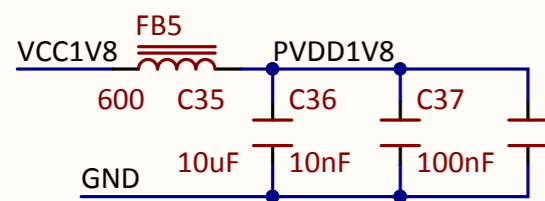
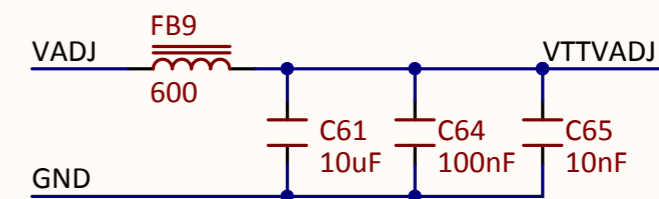
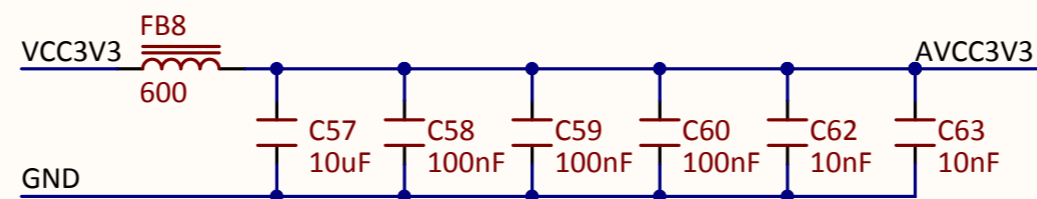
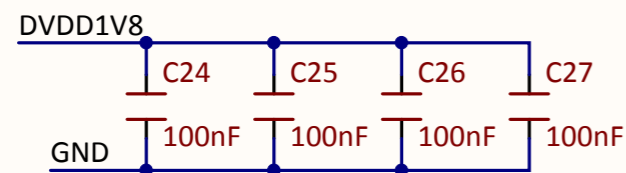
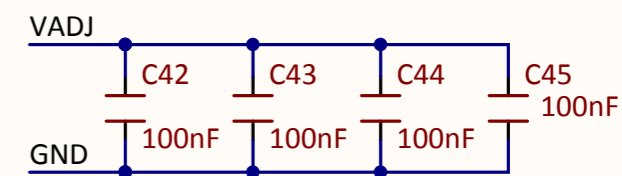
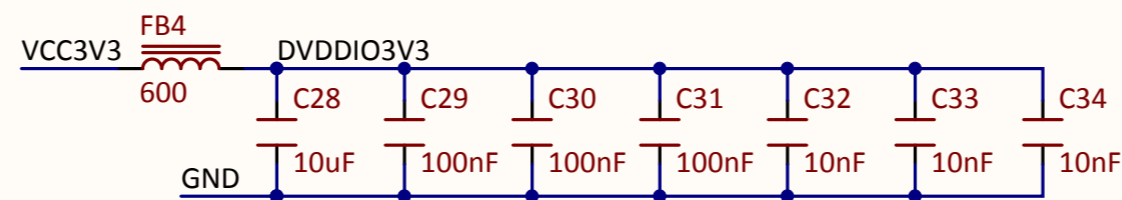
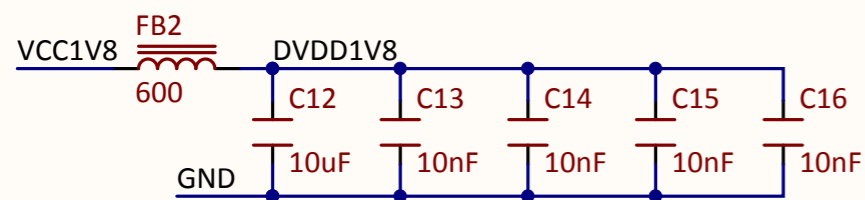
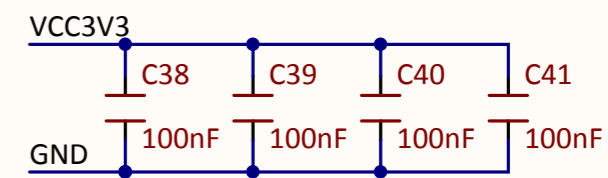
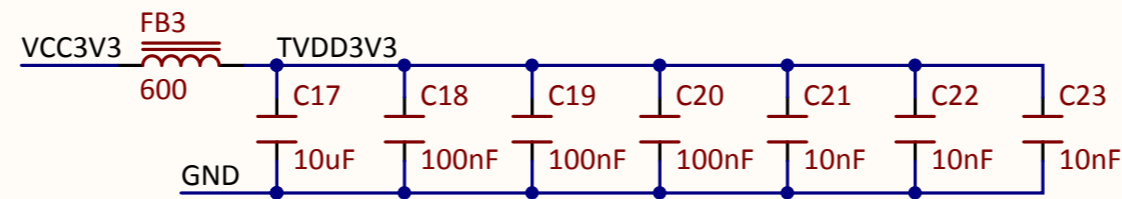
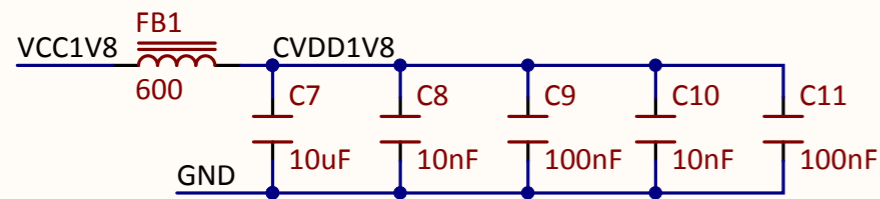
Title		Rev	
FMC-HDMI		D.0	
Circuit		Copyright 2013	
HDMI DECODER			
Doc#	500-264		
Engineer	EG		
Author	DL		
Date	8/2/2013		
Sheet#	2 out of 4		

IC6 AD8195ACPZ
 www.analog.com/AD8195
 (HDMI/DVI Buffer with Equalization)

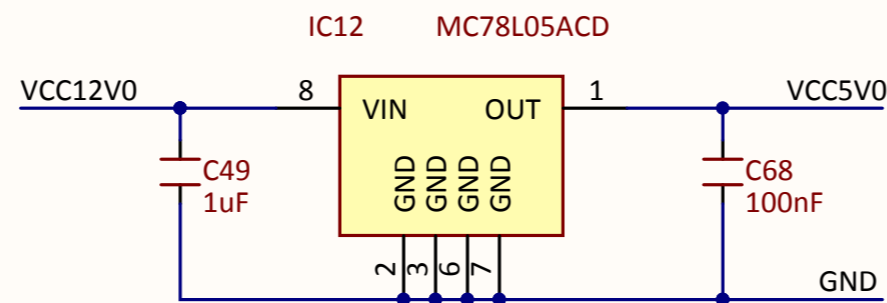
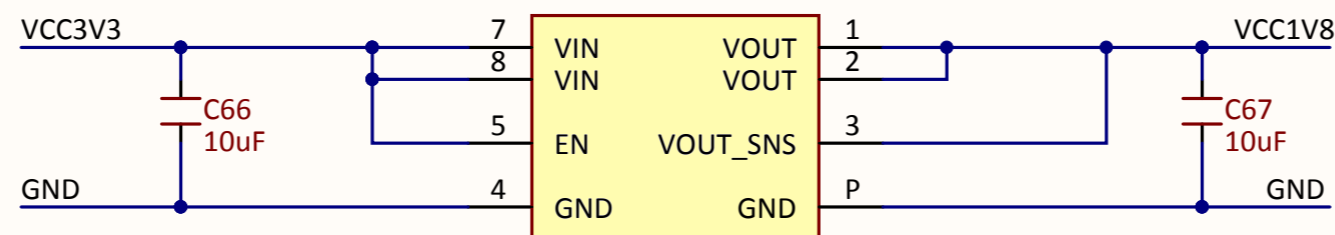



NOTE: The HDMI2 port needs VADJ=3.3V to conform to HDMI specifications

Title		Rev	
FMC-HDMI		D.0	
Circuit		Copyright 2013	
HDMI2 BUFFER			
Doc#	500-264		
Engineer	EG		
Author	DL		
Date	8/2/2013		
Sheet#	3 out of 4		



IC11 ADP124ACPZ-1.8-R7
www.analog.com/ADP124
 (5.5 V Input, 500 mA, Low Quiescent Current, CMOS Linear Regulators)



Title FMC-HDMI		Rev D.0 Copyright 2013
Circuit POWER SUPPLY		
Doc# 500-264		
Engineer EG		
Author DL		
Date 8/2/2013		
Sheet# 4 out of 4		