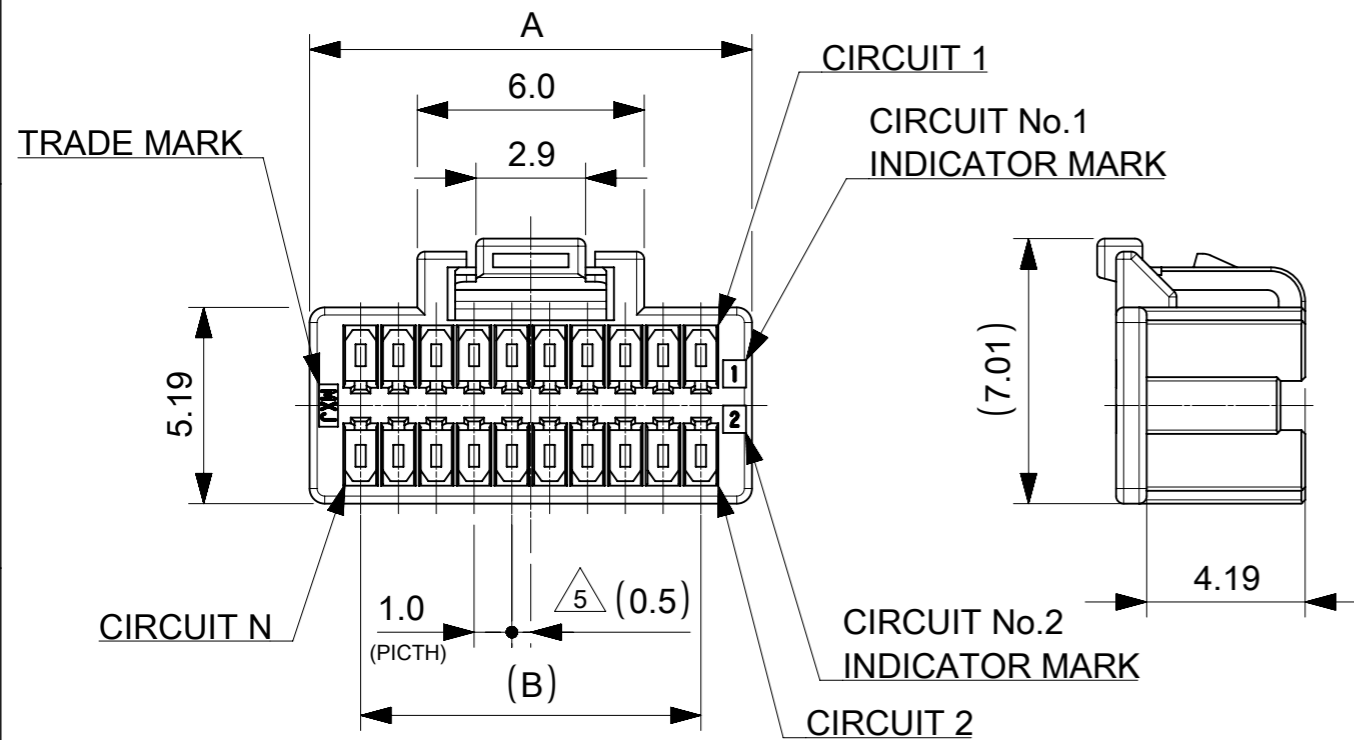
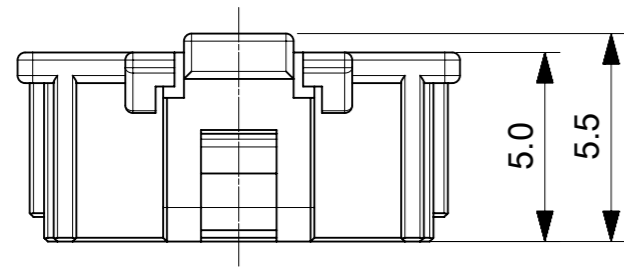


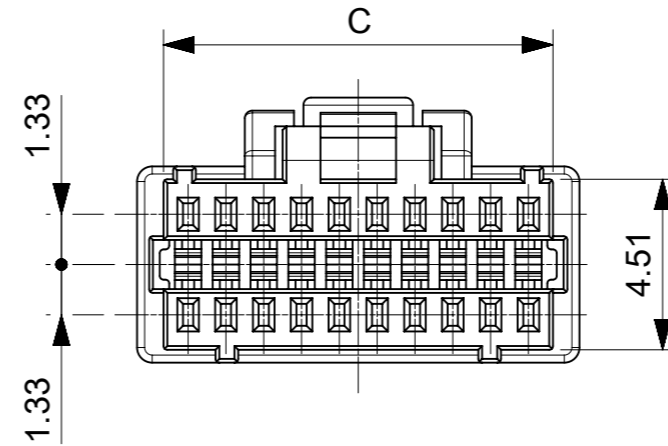
NOTES

- 1. 材料：TABLE 1 参照  
MATERIAL : SEE TABLE 1
- 2. 適応嵌合相手はSHEET 2を御参照下さい。  
PLEASE REFER TO SHEET 2 FOR MATE PARTNER.
- 3. アプリケーション仕様書(コネクタ取扱い説明書) : 5011890000-AS A00(JAPANESE)/-A01(ENGLISH)  
APPLICATION SPECIFICATION(CONNECTOR MANUAL):
- 4. 梱包形態 : SPK-501189-001  
PACKAGING INFORMATION:
- 5. 極数/2=偶数に適応  
APPLICABLE FOR CIRCUIT SIZE/2 = EVEN
- 6. 発注番号 : SHEET 2 参照  
ORDER No. : PLEASE REFER TO SHEET 2 FOR PRODUCT LIST.

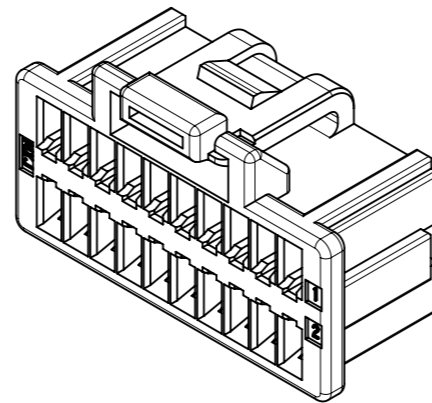


501189 \*\* \*\*

極数 CIRCUIT SIZE	ハウジングカラー HOUSING COLOR
	10:NATURAL(WHITE)



25.3	24.0	26.7	5
20.3	19.0	21.7	4
15.3	14.0	16.7	3
10.3	9.0	11.7	2
C	B	A	極数 CIRCUIT SIZE



1 TABLE 1

部品 PART	材質 MATERIAL
ハウジング HOUSING	ポリアミド(PA), UL94V-0, 色 : SEE SHEET 3 POLYAMIDE(PA), UL94V-0, COLOR : SEE SHEET 3
DOCUMENT STATUS	P1 RELEASE DATE 2019/04/03 09:48:58

THIS DRAWING CONTAINS INFORMATION THAT IS PROPRIETARY TO MOLEX ELECTRONIC TECHNOLOGIES, LLC AND SHOULD NOT BE USED WITHOUT WRITTEN PERMISSION		CURRENT REV DESC:		<b>molex</b>	
DIMENSION UNITS mm	SCALE NTS	EC NO: 614725 DRWN: AISHIKAWA 2019/03/22 CHK'D: AIDA 2019/04/03 APPR: KOMURAKAMI 2019/04/03			
GENERAL TOLERANCES (UNLESS SPECIFIED)		INITIAL REVISION:		PRODUCT CUSTOMER DRAWING	
ANGULAR TOL	± 3.0 °	DRWN: AISHIKAWA 2019/03/22 APPR: KOMURAKAMI 2019/04/03		DOCUMENT NUMBER	DOC TYPE
4 PLACES	± 0.2			5011890000-SD	PSD
3 PLACES	± 0.2			000	A
2 PLACES	± 0.2			SHEET NUMBER	
1 PLACE	± 0.2			1 OF 2	
0 PLACES	± 0.2				
DRAFT WHERE APPLICABLE MUST REMAIN WITHIN DIMENSIONS		THIRD ANGLE PROJECTION	DRAWING	SERIES	MATERIAL NUMBER
			A3-SIZE	501189	SEE SHEET 2

△ 2 適応製品  
APPLICABLE PRODUCTS

適応嵌合相手 APPLICABLE PARTNER	実装タイプ MOUNT TYPE	SMT					
	めっき仕様 PLATING	GOLD PLATING					
	めっき厚 PLATING THICKNESS [micro-meter MIN.]	0.1		0.38		0.76	
	嵌合方向 ROW	VERTICAL	RIGHT ANGLE	VERTICAL	RIGHT ANGLE	VERTICAL	RIGHT ANGLE
	シリーズ番号 SERIES No.	501190	501571	203564	203566	203565	203567

△ 6 製品一覧 PRODUCT LIST

HOUSING COLOR	
NATURAL(WHITE)	
501189 5010	50
501189 4010	40
501189 3010	30
501189 2010	20
発注番号 ORDER No.	
梱包形態 : ポリ袋 PACKAGE:POLYBAG	極数 CIRCUIT SIZE

THIS DRAWING CONTAINS INFORMATION THAT IS PROPRIETARY TO MOLEX ELECTRONIC TECHNOLOGIES, LLC AND SHOULD NOT BE USED WITHOUT WRITTEN PERMISSION									
DIMENSION UNITS	SCALE	CURRENT REV DESC:				<b>molex</b>			
mm	NTS								
GENERAL TOLERANCES (UNLESS SPECIFIED)		EC NO: 614725				PICO-CLASP 1.0 W/B DUAL ROW REC HSG			
ANGULAR TOL	± 3.0 °	DRWN: AISHIKAWA 2019/03/22				PRODUCT CUSTOMER DRAWING			
4 PLACES	± 0.2	CHK'D: AIDA 2019/04/03				DOCUMENT NUMBER			
3 PLACES	± 0.2	APPR: KOMURAKAMI 2019/04/03				5011890000-SD			
2 PLACES	± 0.2	INITIAL REVISION:				DOC TYPE			
1 PLACE	± 0.2	DRWN: AISHIKAWA 2019/03/22				PSD			
0 PLACES	± 0.2	APPR: KOMURAKAMI 2019/04/03				DOC PART			
DRAFT WHERE APPLICABLE MUST REMAIN WITHIN DIMENSIONS		THIRD ANGLE PROJECTION	DRAWING	SERIES	MATERIAL NUMBER	CUSTOMER	REVISION		
			A3-SIZE	501189	SEE SHEET 2		000	A	2 OF 2