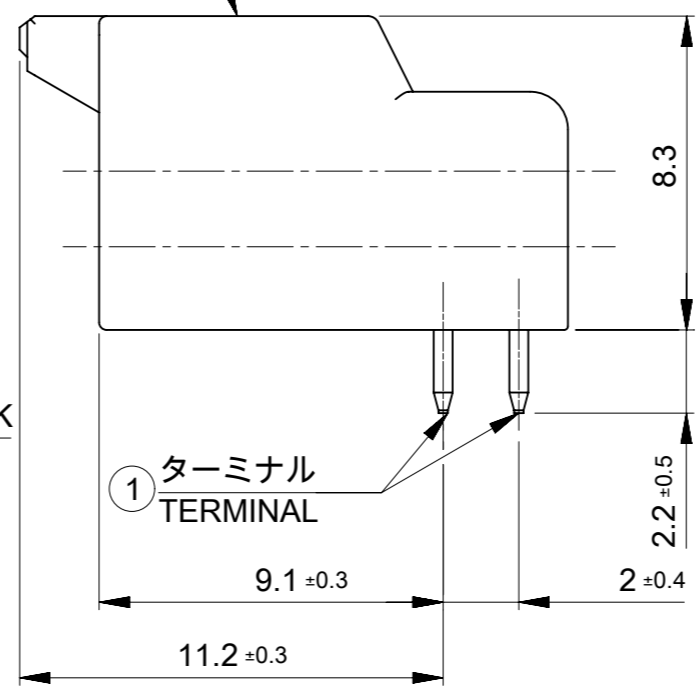
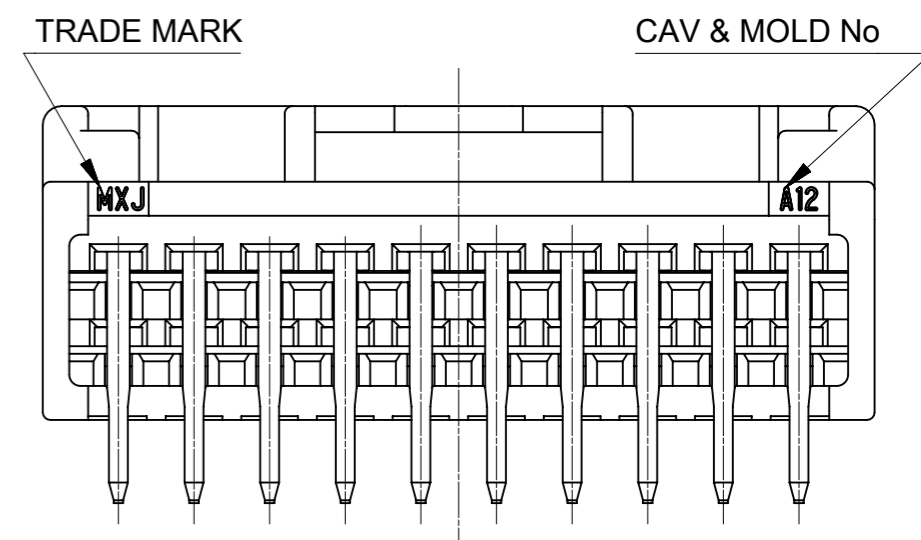


② ハウジング  
HOUSING



① ターミナル  
TERMINAL



△ TABLE 1

番号 No	部品 PART	材質 MATERIAL	
①	ターミナル TERMINAL	黄銅, BRASS	
		下地めっき UNDER PLATING	ニッケルめっき 1 micro-meter MIN NICKEL PLATING 1 micro-meter MIN
		コンタクト CONTACT	無光沢錫めっき 1 micro-meter MIN MATTE TIN PLATING 1 micro-meter MIN
		テール SOLDER TAIL	
②	ハウジング HOUSING	ポリアミド(PA)ガラス入り, UL94V-0, 色 : ナチュラル (白) POLYAMIDE(PA) GLASS FILLED, UL94V-0, COLOR : NATURAL (WHITE)	

9.2	12	16	501876 1450	14
9.2	10	14	501876 1250	12
C	B	A	発注番号 ORDER No PACKAGING STYLE : TRAY	極数 CIRCUIT SIZE

THIS DRAWING CONTAINS INFORMATION THAT IS PROPRIETARY TO MOLEX ELECTRONIC TECHNOLOGIES, LLC AND SHOULD NOT BE USED WITHOUT WRITTEN PERMISSION

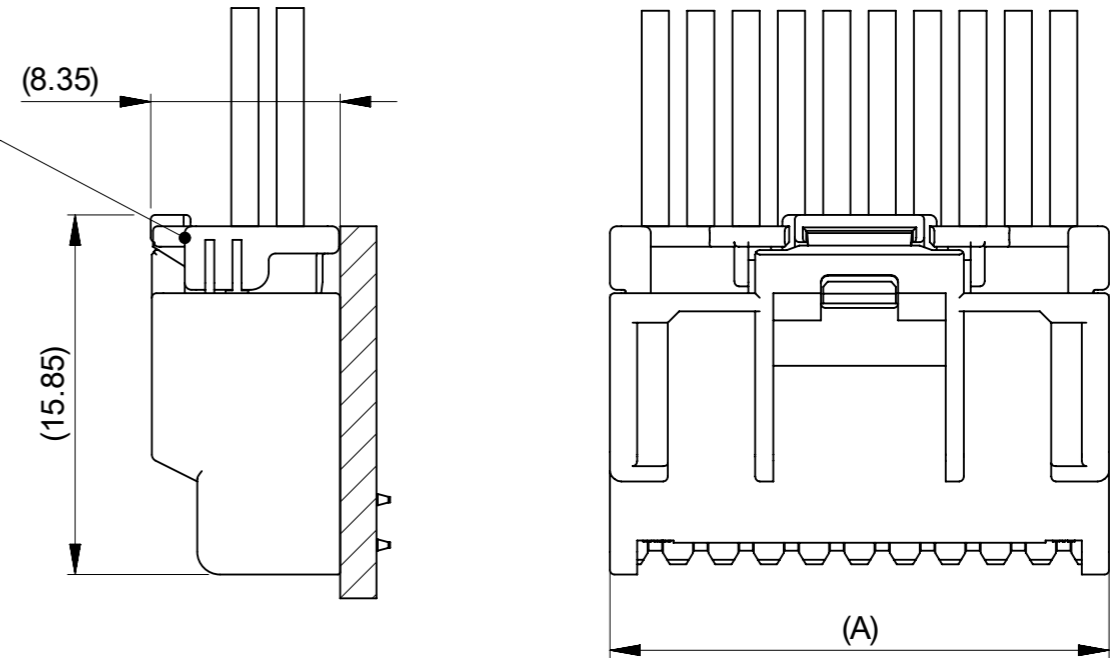
DIMENSION UNITS mm	SCALE NTS	CURRENT REV DESC: REVISED		
GENERAL TOLERANCES (UNLESS SPECIFIED)		<p>IGRID 2.0 PLUG ASSEMBLY RIGHT ANGLE SHORT TAIL TIN PLATING</p> <p>PRODUCT CUSTOMER DRAWING</p>		
ANGULAR TOL	± 3.0 °			
4 PLACES	± 0.2			
3 PLACES	± 0.2			
2 PLACES	± 0.2			
1 PLACE	± 0.2	EC NO: 721018	2022/09/06	
0 PLACES	± 0.2	DRWN: HHUSSIN	2022/11/21	
DRAFT WHERE APPLICABLE MUST REMAIN WITHIN DIMENSIONS		CHK'D: SAKIYAMA	2022/11/21	
THIRD ANGLE PROJECTION		APPR: AIDA	2022/11/21	
DRAWING		INITIAL REVISION:	DOCUMENT NUMBER	
A3-SIZE		DRWN: SNAKAMURA08	5018760002-SD	
SERIES		APPR: KOMURAKAMI	DOC TYPE	
501876		2020/02/14	PSD	
MATERIAL NUMBER		2020/02/26	DOC PART	
CUSTOMER		GENERAL	000	
SHEET NUMBER		1 OF 2	REVISION	
			B	

NOTES.

- 1. 材料及び仕上げ(めっき仕様) : TABLE 1 参照  
MATERIAL AND FINISHES : SEE TABLE 1
- 2. 製品仕様書 : PS-501646-001  
PRODUCT SPECIFICATION:PS-501646-001
- 3. 嵌合相手:  
MATES WITH:

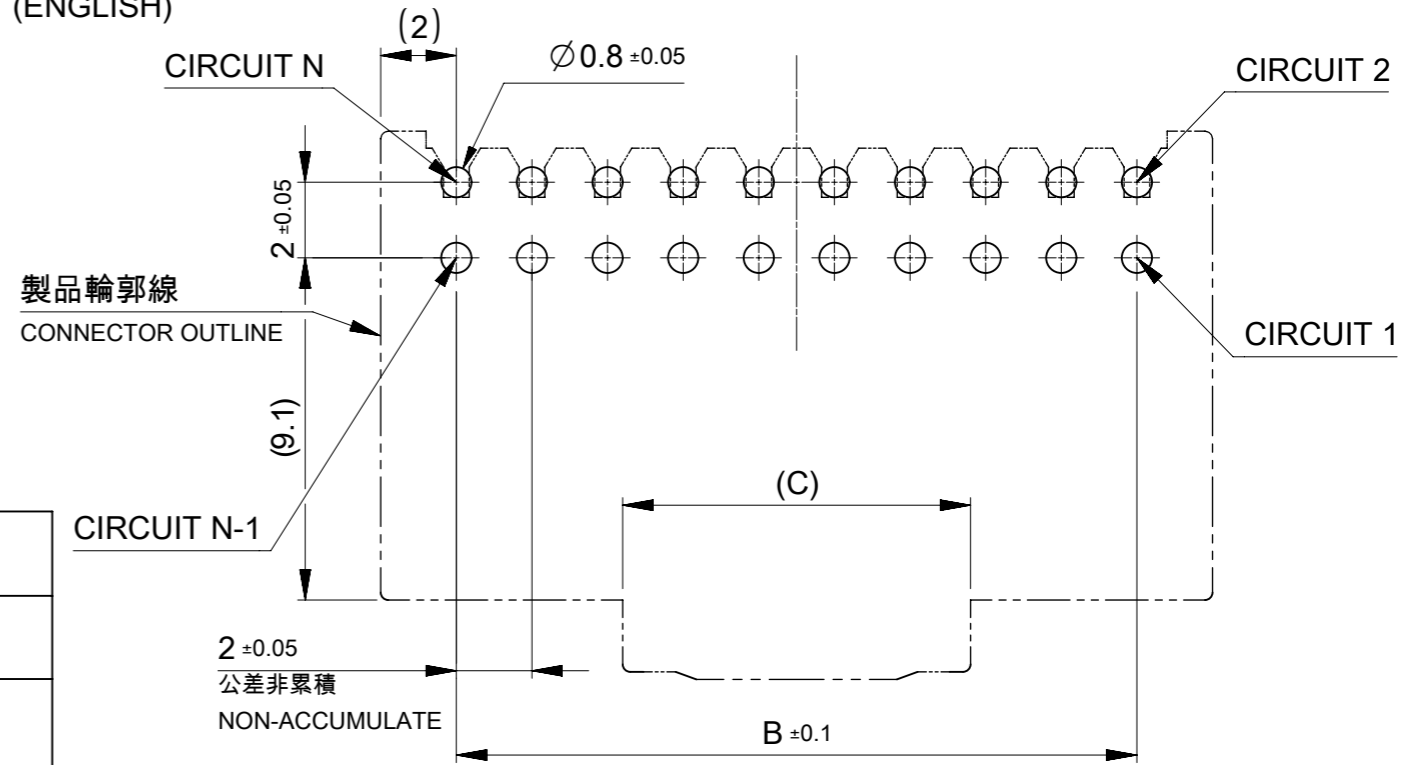
リセプタクルハウジング RECEPTACLE HOUSING	501646 SERIES	
圧着端子 RECEPTACLE CRIMP TERMINAL	AWG #22-26 錫めっき AWG #22-26 TIN PLATING	501647 SERIES
	AWG #26-28 錫めっき AWG #26-28 TIN PLATING	501648 SERIES

嵌合相手 501646 SERIES  
MATE WITH : 501646 SERIES



嵌合図  
MATED CONNECTORS

- 4. アプリケーション仕様書(コネクタ取扱い説明書) : 5016460000/PS/000/-A00 (日本語), -A01 (英語)  
APPLICATION SPECIFICATION (CONNECTOR MANUAL): 5016460000/PS/000/-A00 (JAPANESE)/-A01 (ENGLISH)
- 5. 本製品は錫めっき品です。  
THIS PRODUCT IS A TIN PLATING.
- 6. 極数/2 = 偶数に適用  
APPLY FOR CIRCUIT SIZE / 2 =EVEN
- 7. ターミナルに錫めっきを使用している為、外観に摺動痕が付く場合があります。  
THE WOUND OF FRICTION MIGHT ADHERE TO EXTERNALS BECAUSE THE TIN PLATING IS USED IN TERMINAL.
- 8. 梱包仕様書: SPK-501876-001  
PACKING INFORMATION : SPK-501876-001
- 9. 本製品は 501876\*\*40 のソルダーテール長さを短く変更した製品です。  
THIS PRODUCT IS A SHORT SOLDER TAIL LENGTH VARIATION OF 501876\*\*40.

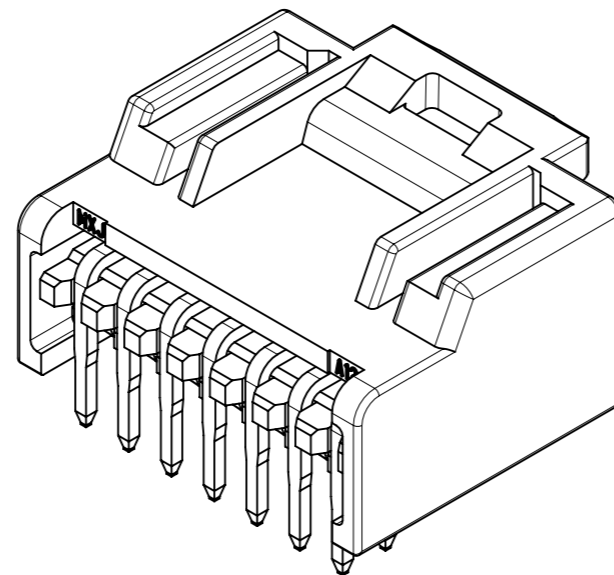
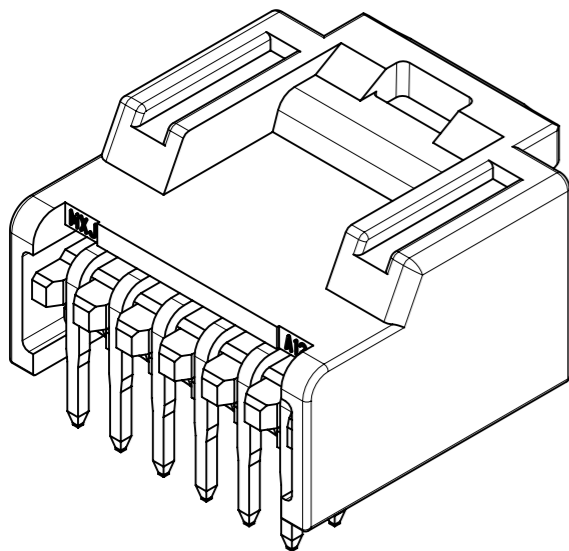


基板取付穴推奨寸法(マウント面)  
RECOMMENDED PCB HOLE DIMENSION (MOUNTING SIDE)  
参考基板厚 t=1.2~1.6  
REFERENCE PCB THICKNESS t=1.2~1.6

SHAPE VARIATION BY CIRCUIT NUMBER

12 極形状  
FIGURE OF 12 CIRCUIT

14 極形状  
FIGURE OF 14 CIRCUIT



THIS DRAWING CONTAINS INFORMATION THAT IS PROPRIETARY TO MOLEX ELECTRONIC TECHNOLOGIES, LLC AND SHOULD NOT BE USED WITHOUT WRITTEN PERMISSION		CURRENT REV DESC: REVISED		<b>molex</b>	
DIMENSION UNITS	SCALE				
mm	NTS			PRODUCT CUSTOMER DRAWING	
GENERAL TOLERANCES (UNLESS SPECIFIED)		EC NO: 721018		DOCUMENT NUMBER	
ANGULAR TOL ± 3.0°		DRWN: HHUSSIN 2022/09/06		5018760002-SD	
4 PLACES ± 0.2		CHK'D: SAKIYAMA 2022/11/21		DOC TYPE DOC PART REVISION	
3 PLACES ± 0.2		APPR: AIDA 2022/11/21		PSD 000 B	
2 PLACES ± 0.2		INITIAL REVISION:		MATERIAL NUMBER	
1 PLACE ± 0.2		DRWN: SNAKAMURA08 2020/02/14		CUSTOMER	
0 PLACES ± 0.2		APPR: KOMURAKAMI 2020/02/26		GENERAL	
DRAFT WHERE APPLICABLE MUST REMAIN WITHIN DIMENSIONS		THIRD ANGLE PROJECTION	DRAWING	SERIES	SHEET NUMBER
			A3-SIZE	501876	2 OF 2