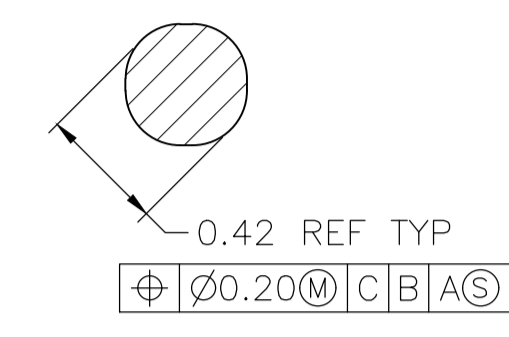
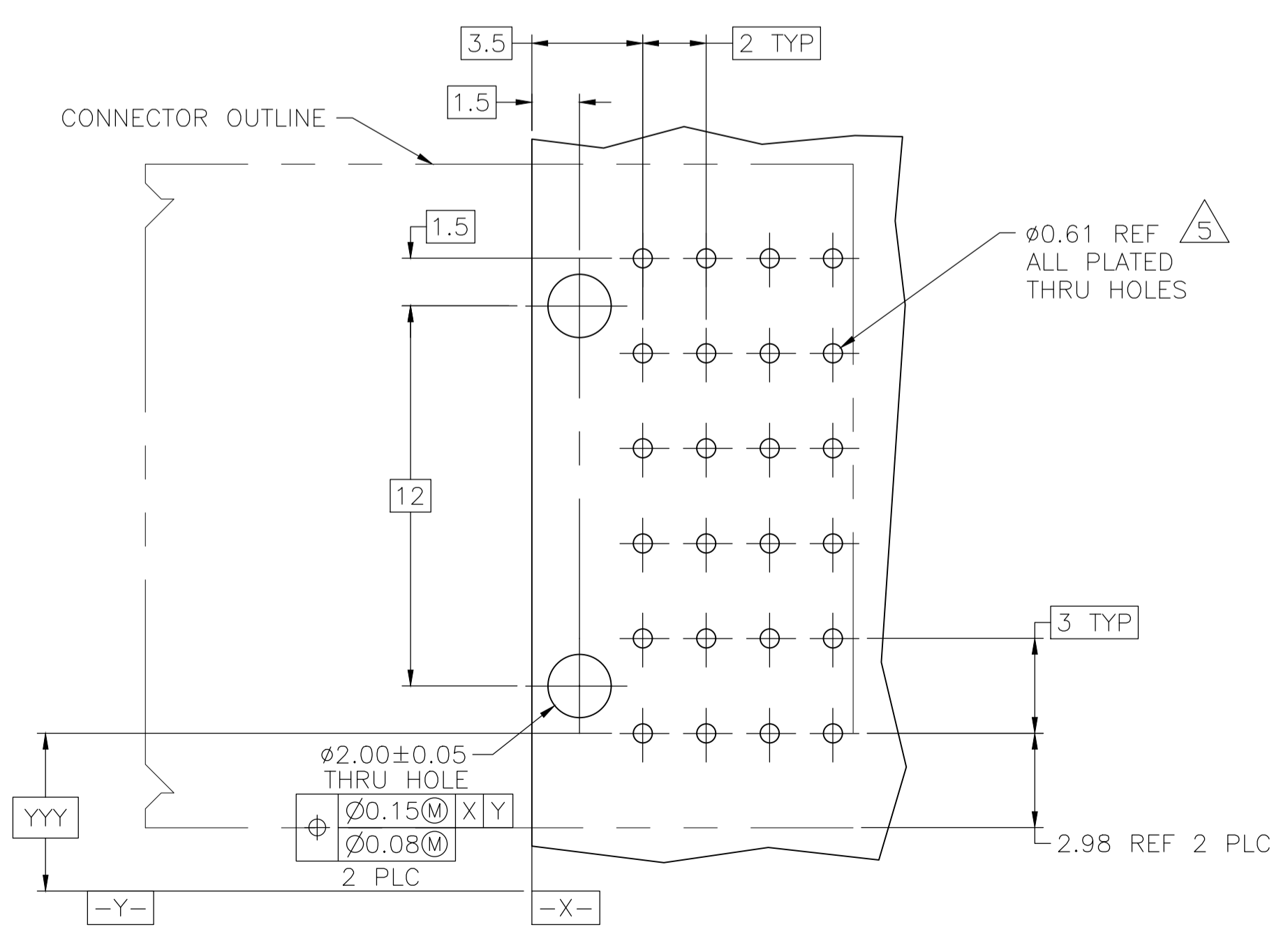
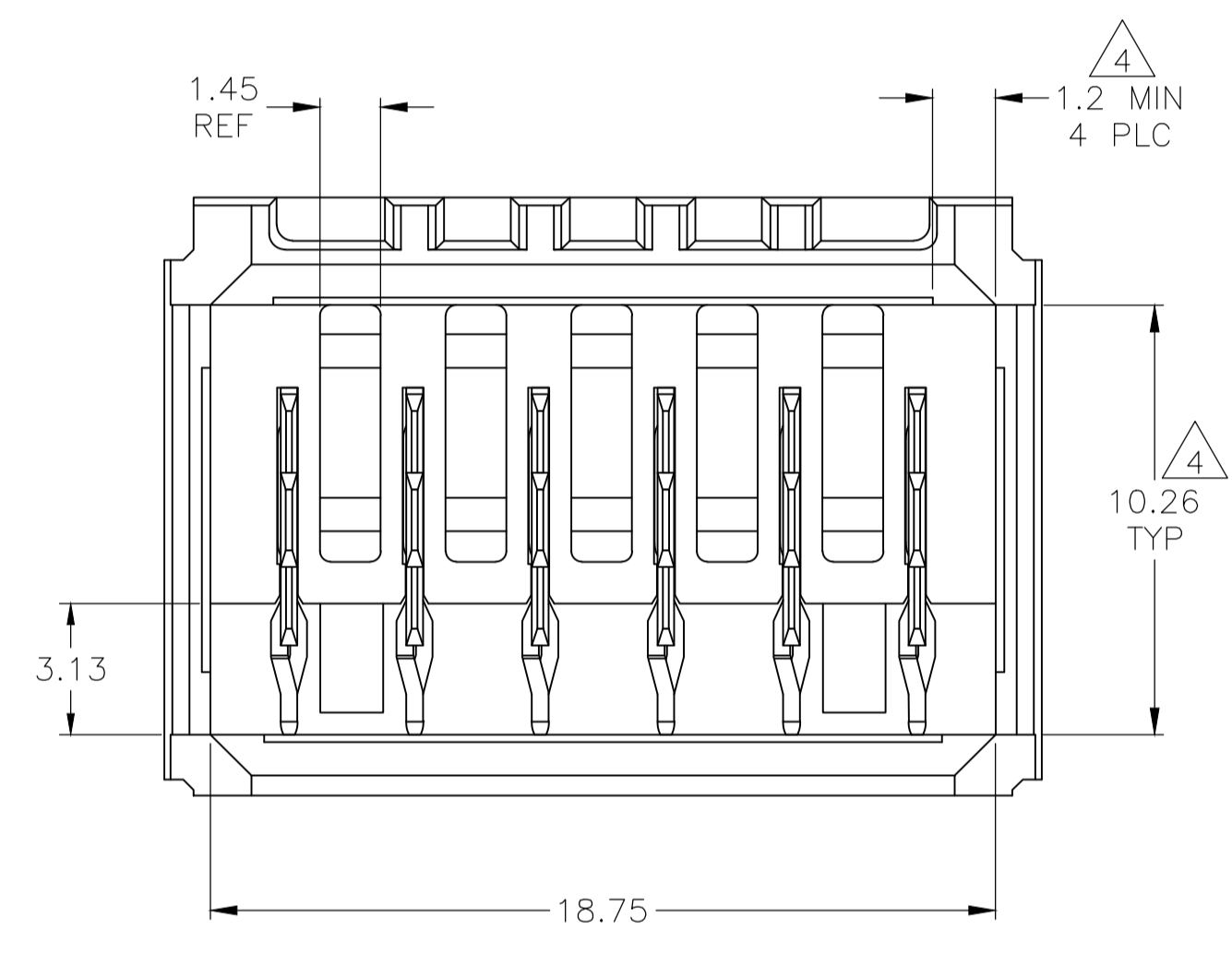
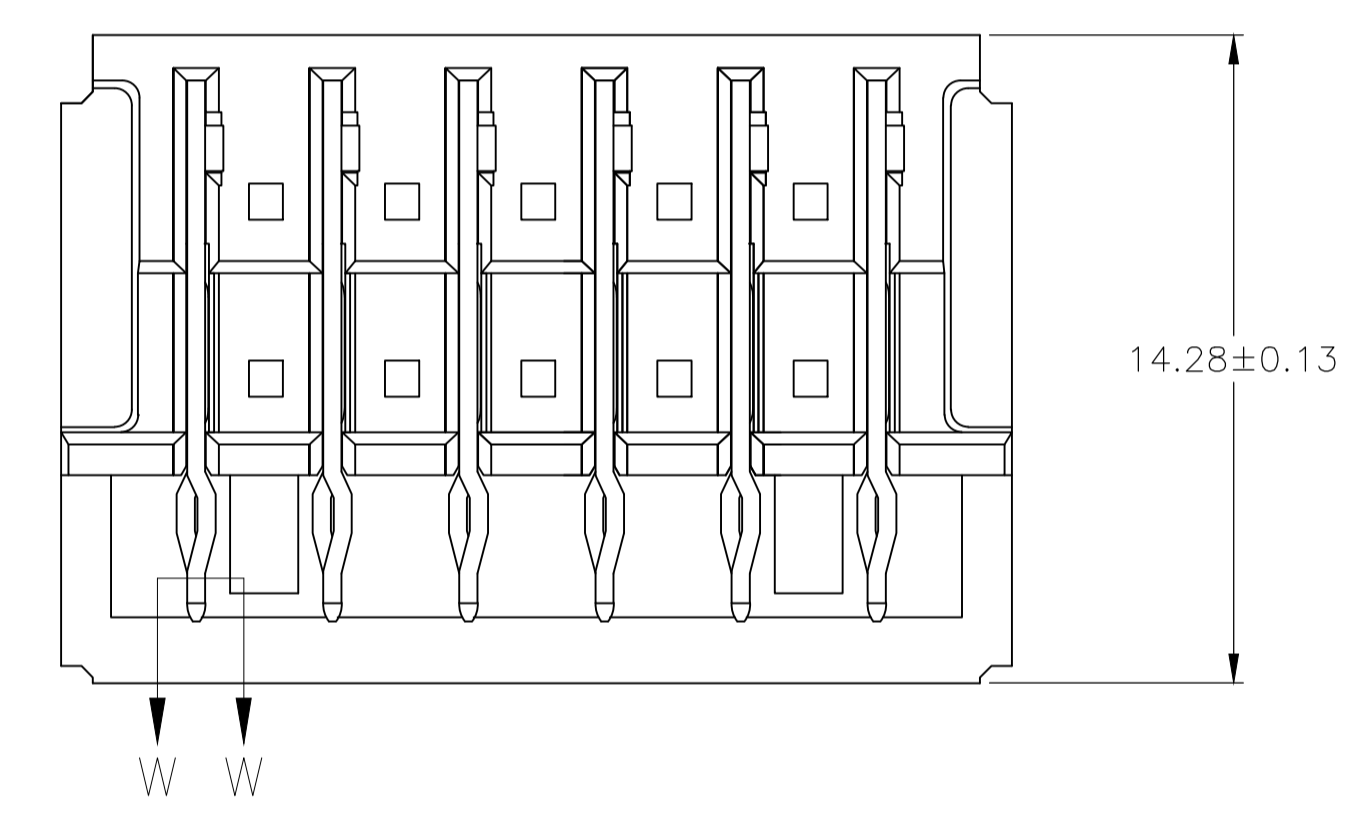
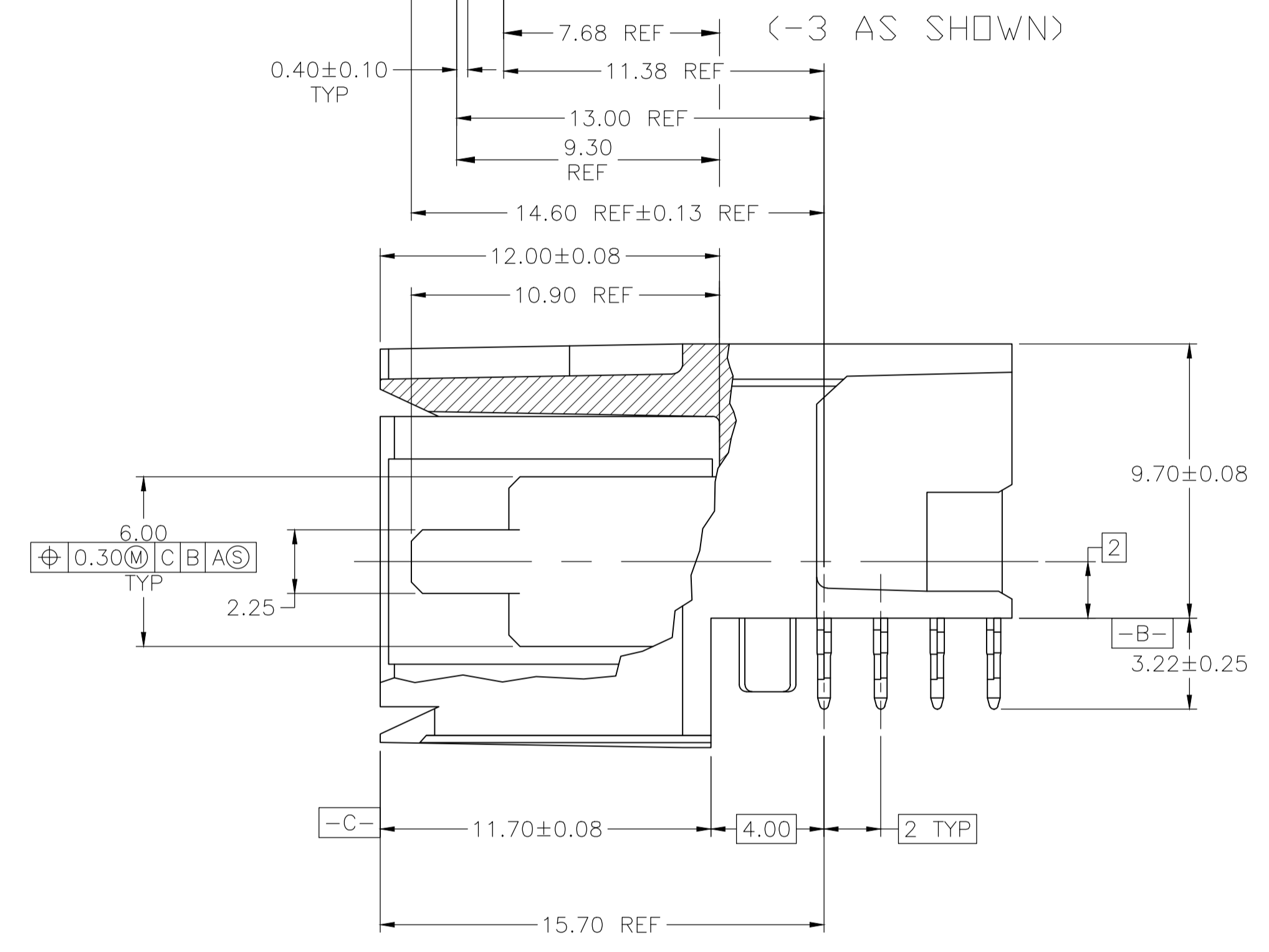


- 1 MATERIAL: HOUSING: POLYESTER. COLOR: GRAY. UL 94V-0. CONTACT: COPPER ALLOY.
- 2 FINISH: IN ACCORDANCE WITH PRODUCT SPECIFICATION 108-1651, GOLD PLATING OR EQUIVALENT PLATING ON PRODUCT CONTACT MATING AREA, AND MATTE TIN PLATING ON COMPLIANT PIN AREA, ALL OVER MATTE NICKEL UNDERPLATED. DETAIL PLEASE REFER TO PRODUCT SPECIFICATION 108-1651.
- 3 FINISH: CONTACT LUBRICATION WITH BELLCORE APPROVED LUBRICANT. TECHNICAL REFERENCE: GR-1217-CORE, ISSUE 1, NOVEMBER 1995.
- 4 THE 10.26±0.13 DIMENSION APPLIES IN THIS AREA.
- 5 REFERENCE APPLICATION SPEC 114-1103 FOR RECOMMENDED PLATED THRU HOLE DIAMETER AND PLATING THICKNESS.
- 6. CURRENT RATING 10A/CONTACT PER PRODUCT SPEC 108-1651.



SECTION W-W
SCALE 40:1



RECOMMENDED PCB HOLE LAYOUT

DELETED

2/3	D,E,F	-	A,B,C	6	5646956-7
2/3	-	A,B,C,D	E,F	6	5646956-6
2/3	A,B	D,E,F	C	6	5646956-5
2/3	A,D,E,F	B	C	6	5646956-4
2/3	A,B	C,D	E,F	6	5646956-3
2/3	A,F	B,C,D,E	-	6	5646956-2
2/3	A,B,C,D,E,F	-	-	6	5646956-1
FINISH	POSITIONS LOADED WITH 10.90 CONTACTS (2)	POSITIONS LOADED WITH 9.30 CONTACTS (3)	POSITIONS LOADED WITH 7.68 CONTACTS (4)	NO OF LOADED POSITIONS	PART NUMBER

THIS DRAWING IS A CONTROLLED DOCUMENT.		DIN B CARBO 04JAN05	TE Connectivity	
DIMENSIONS: mm	TOLERANCES UNLESS OTHERWISE SPECIFIED:	04JAN05	ASSEMBLY, RIGHT ANGLE HEADER, W/ RETENTION PEGS, UNIVERSAL POWER MODULE	
0 PLC ± -	1 PLC ± ±	04JAN05	SIZE	CAGE CODE
2 PLC ± ± 0.13	3 PLC ± ±	04JAN05	A1	00779
4 PLC ± ±	ANGLES ± ±	04JAN05	DRAWING NO	5646956
MATERIAL	FINISH	WEIGHT	SCALE	SHEET
1	2	-	6:1	1 of 1
CUSTOMER DRAWING		REV	E5	