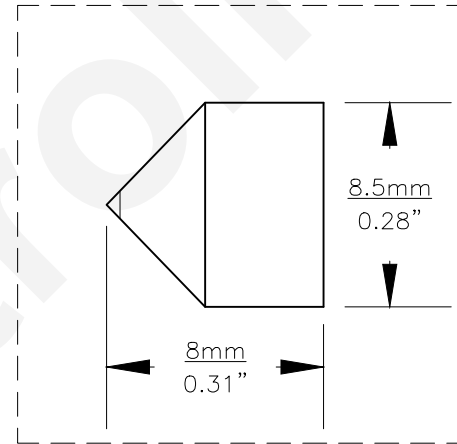
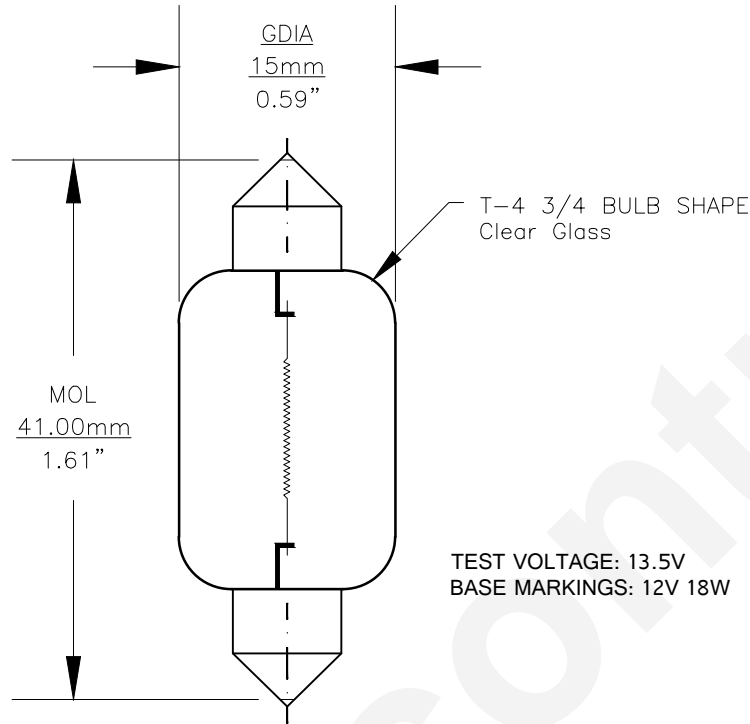




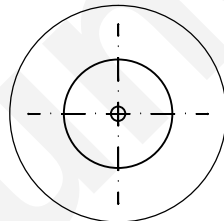
PART NO.	BASE TYPE	DESIGN VOLTS	DESIGN WATTS	LUMENS	FILAMENT TYPE	AVERAGE LIFE HOURS	REVISIONS			
							REV #	DESCRIPTION	DATE	APPROVED
6475	FESTOON CAP (SV8.5-8)	12.0V	18W ± 5%	MIN. 240	C-8	75	1	ISSUED	07/11/2001	E.S.
							2	SPECIFICATION UPDATED	05/21/2009	M.L.
							3	ADDED BASE AND BOTTOM VIEWS	04/04/2016	R.M.



BASE DIMENSIONS

TEST VOLTAGE: 13.5V
BASE MARKINGS: 12V 18W

0° VIEW



BASE BOTTOM VIEW



Note: Made according to SAE specifications

UNLESS OTHERWISE SPECIFIED: DIMENSIONS ARE IN INCHES TOLERANCES		CEC INDUSTRIES LTD			
DECIMALS .XX ± .05		599 BOND STREET		LINCOLNSHIRE, IL 60069	
ANGULAR .XXX ± .010		TITLE LIGHT BULB NO. 6475			
FRACTIONAL ± 1/64		DATE 07/11/2001	SIZE A	DWG NO. 6475	REV 3
DRAWN ELIZABETH SONANES	CHECKED	DESIGN	SCALE	PLOT SCALE	SHEET 1 OF 1
MATERIAL		FILE 6475.pdf	DRAWING NOT TO SCALE		