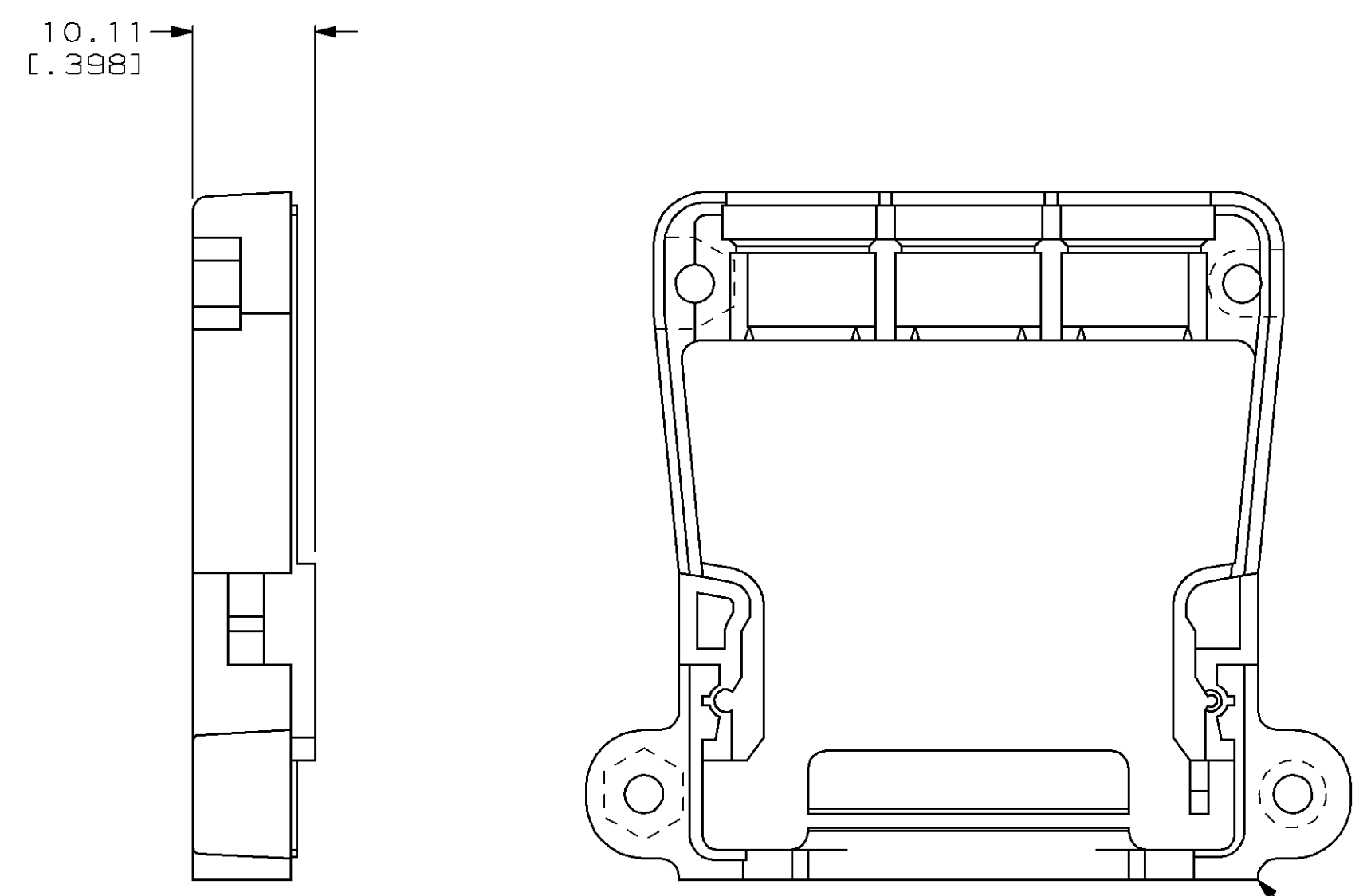
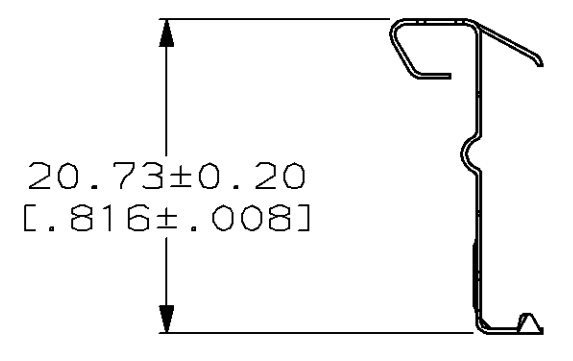


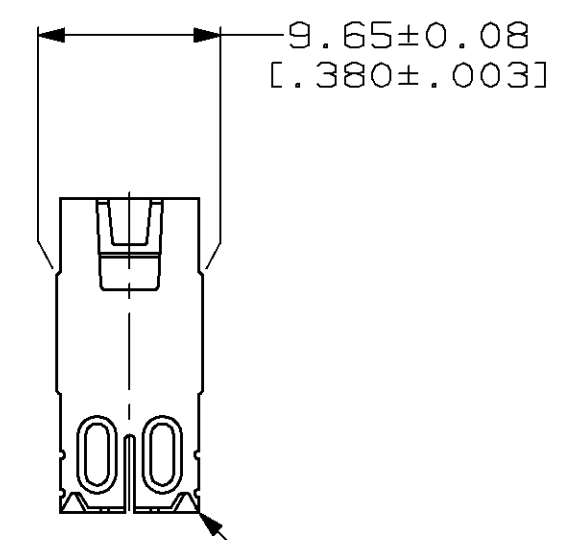
LOC	DIST	REVISIONS			
P	LTR	DESCRIPTION	DATE	DMN	APVD
E		RLSE PER NPR 23	10 APR 97	WGL	-
F		REV PER EC 0320-169-97	27 MAY 97	MB	GM
G		REV PER EC 0640-321-98	28 AUG 98	MB	JO
H		REV PER EC 0640-404-98	16 OCT 98	CO	JO



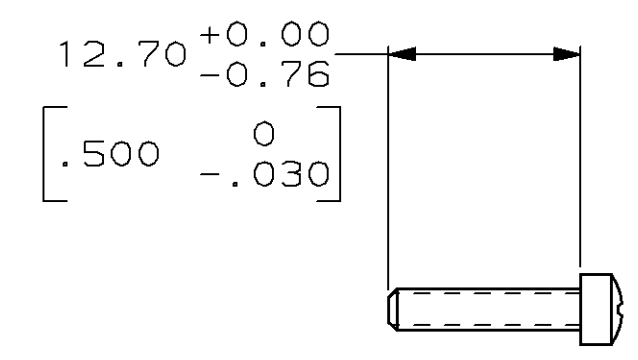
BACKSHELL
QTY=2 PER KIT
788089-5



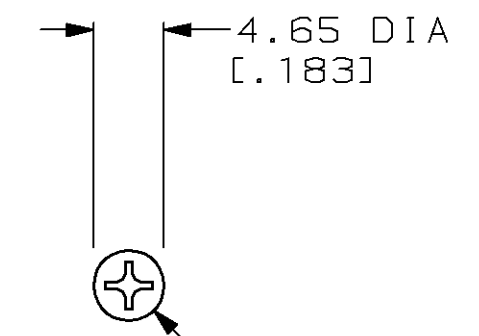
20.73±0.20
[.816±.008]



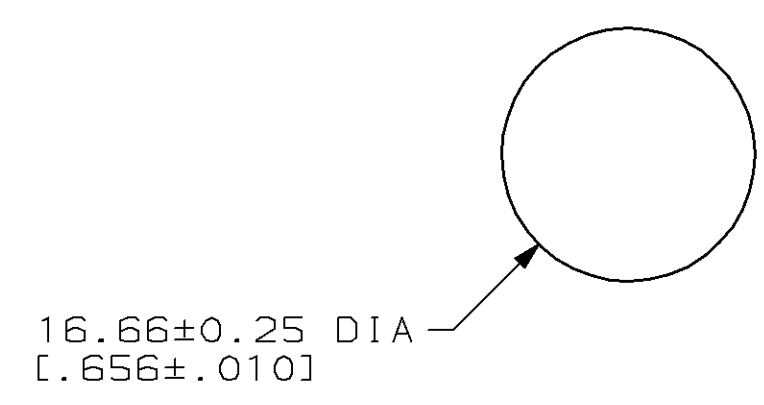
SPRING LATCH
QTY=2 PER KIT
788424-1



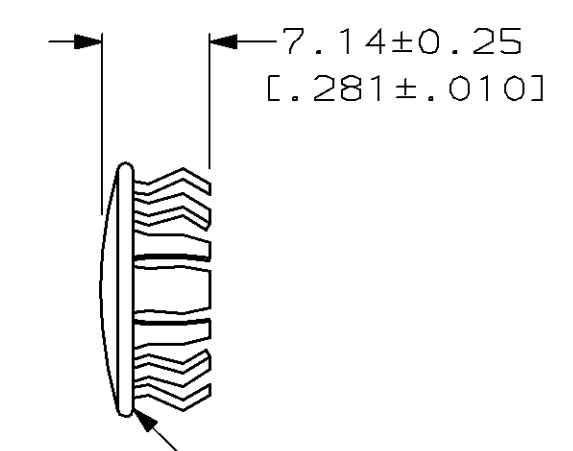
12.70^{+0.00}_{-0.76}
[.500⁰_{-.030}]



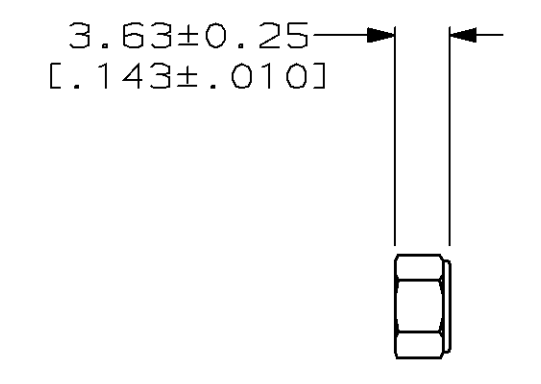
SCREW, 4-40 UNC
QTY=4 PER KIT
4-24282-5



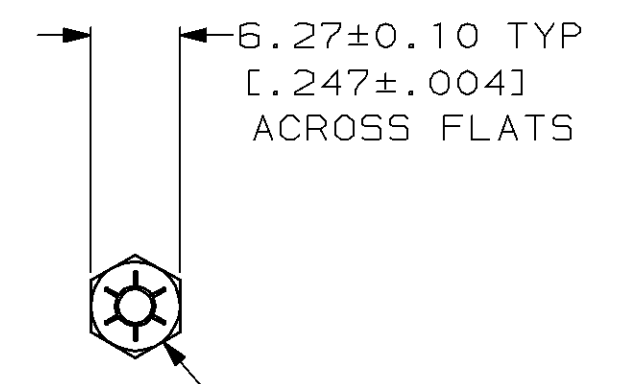
16.66±0.25 DIA
[.656±.010]



BUTTON, PLUG
QTY=2 PER KIT
2-22484-2

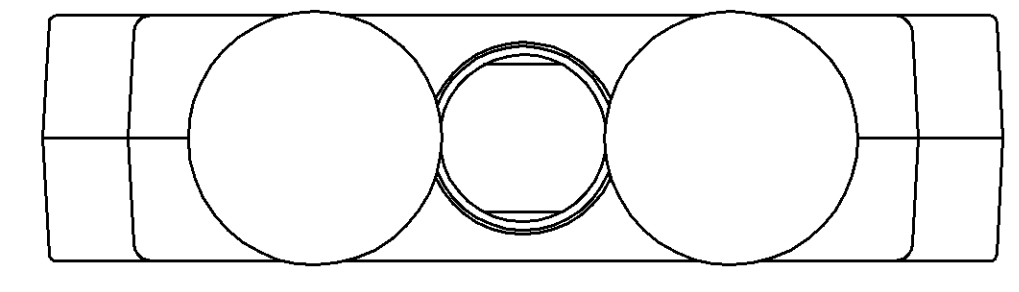


3.63±0.25
[.143±.010]

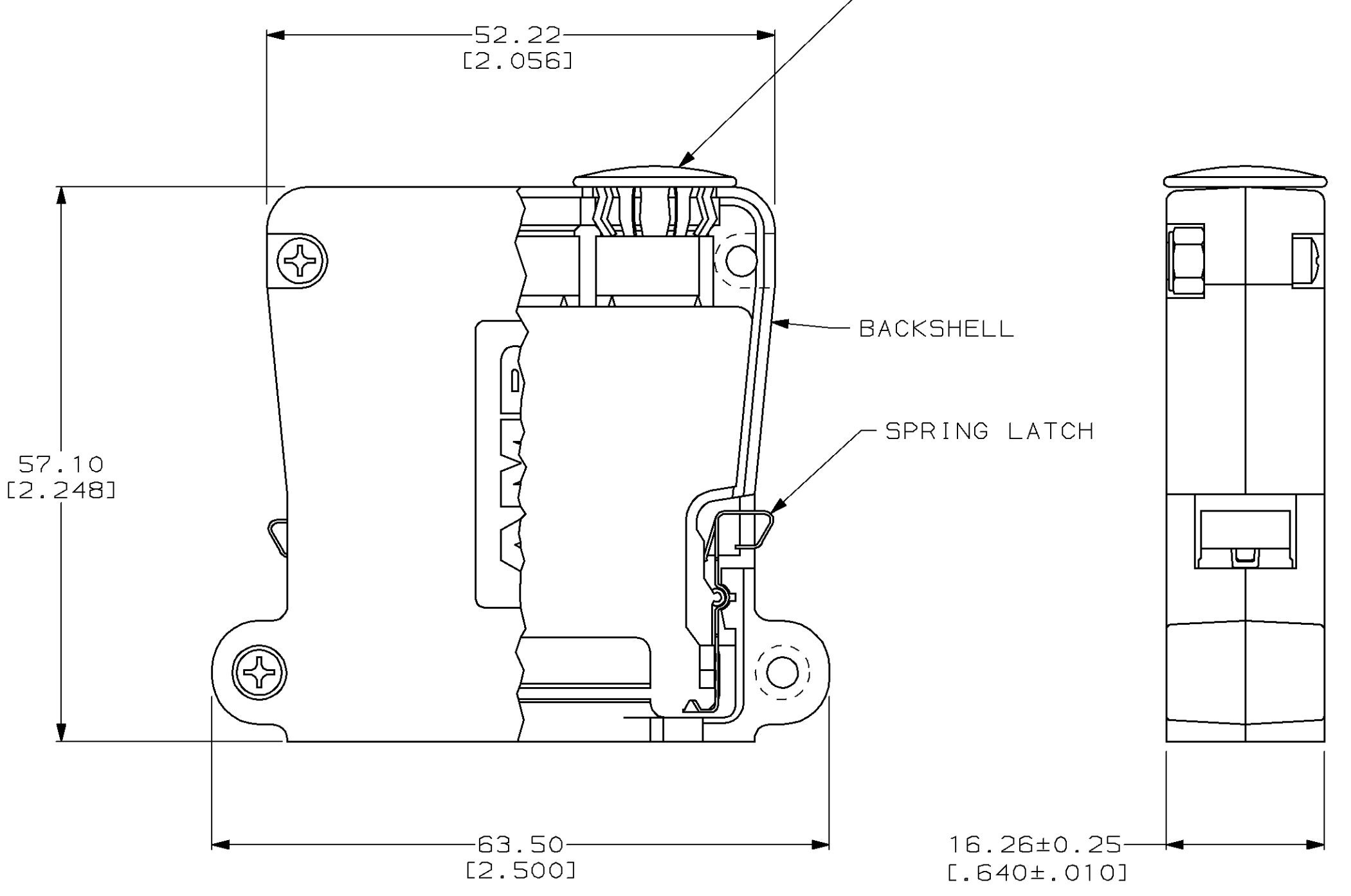


HEX NUT, LOCKING,
4-40 UNC
QTY=4 PER KIT
986046-2

ASSEMBLED VIEWS



BUTTON PLUG INSTALLED IN HOLE TO
CLOSE OFF ANY UNUSED CABLE EXITS



52.22
[2.056]

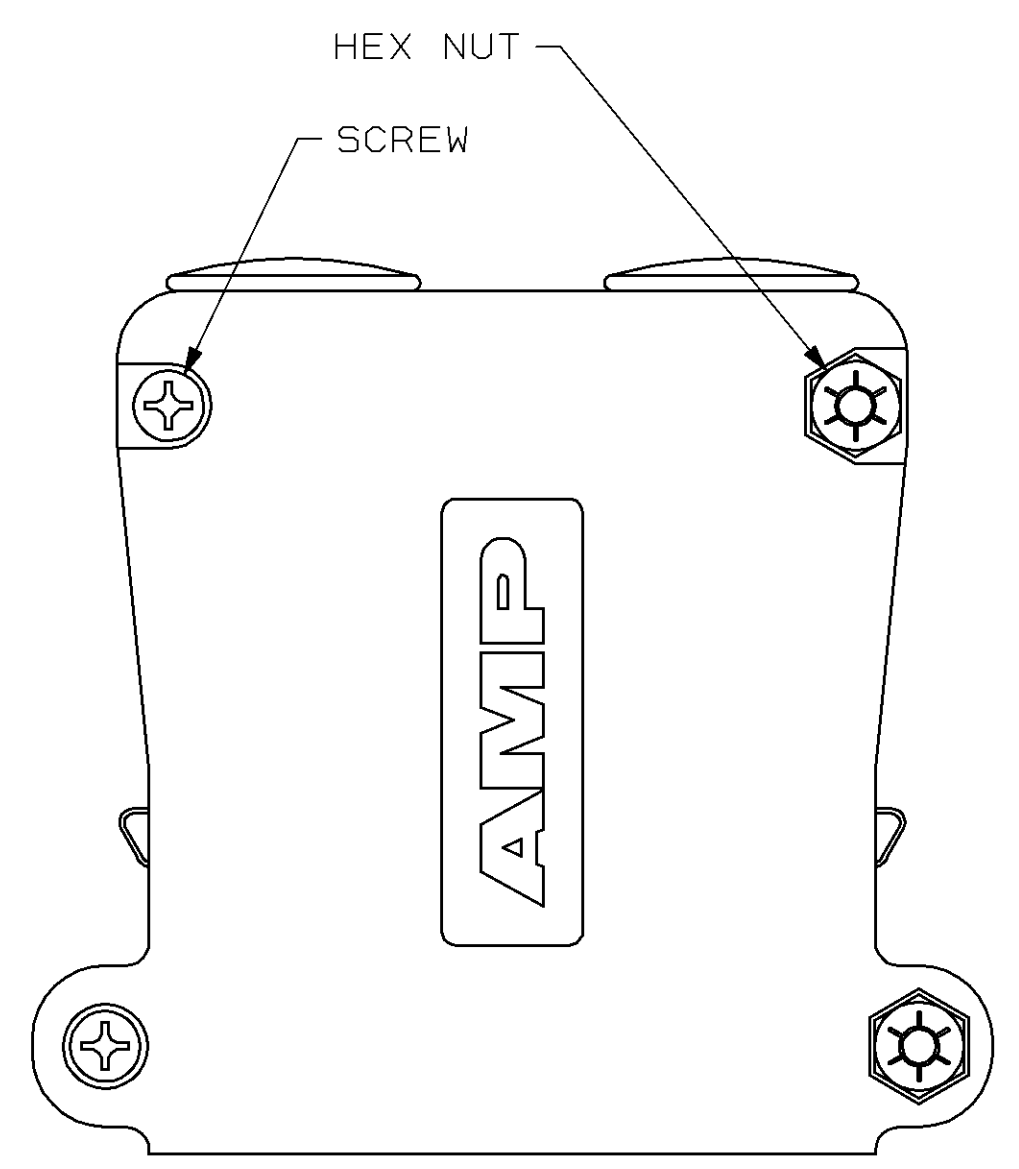
57.10
[2.248]

BACKSHELL

SPRING LATCH

63.50
[2.500]

16.26±0.25
[.640±.010]



HEX NUT
SCREW

- 1 BACKSHELL: ABS, NATURAL.
SPRING LATCH: STAINLESS STEEL, HEAT TREATED.
SCREW, HEX NUT, AND BUTTON: CARBON STEEL.
- 2 BACKSHELL: 4.57µm[.000180] MIN NICKEL OVER
7.62µm[.000300] MIN COPPER, ALL OVER 0.25µm[.000010] MIN ELECTROLESS NICKEL.
SCREW AND HEX NUT: ZINC; BUTTON: NICKEL.
- 3 KITS ARE INDIVIDUALLY PACKED.
- 4 KITS ARE BULK PACKED.

4	788070-2
3	788070-1
PART NUMBER	

THIS DRAWING IS A CONTROLLED DOCUMENT.

DIMENSIONS: mm (INCHES)	TOLERANCES UNLESS OTHERWISE SPECIFIED:	DMN H. G. LENKER CHK R. STONE APP'D G. D. MILLER	03 OCT 96 14 APR 97 14 APR 97	NAME AMP Incorporated Harrisburg, PA 17105-3508
0 PLC ± 1 PLC ± 2 PLC ± 3 PLC ± 4 PLC ± ANGLES ±	± ± ±0.13 (.005) ± ± ±	PRODUCT SPEC 108-40032-1	APPLICATION SPEC	BACKSHELL KIT, UNASSEMBLED, SIZE 2, 180° CABLE EXIT, AMPLIMITE™
MATERIAL	FINISH	WEIGHT	SCALE	SIZE A1
			2:1	CAGE CODE 00779
				DRAWING NO 788070
				REV 1