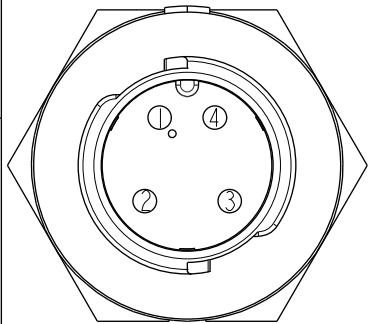
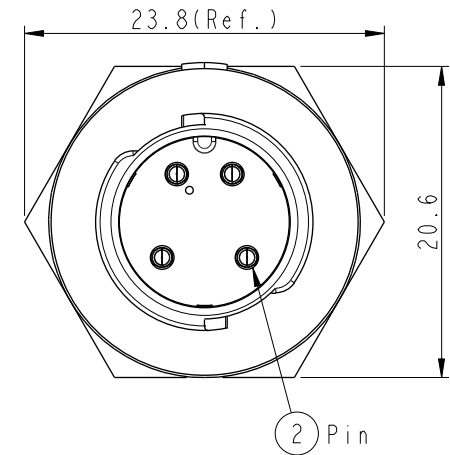
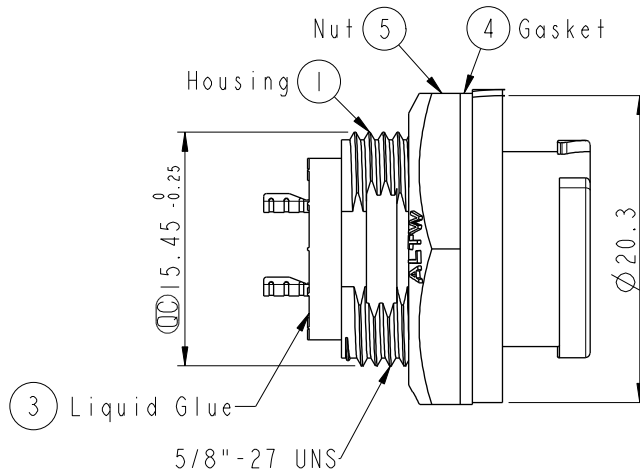
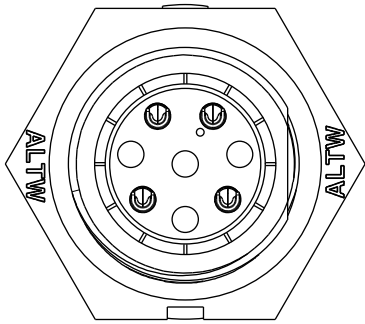
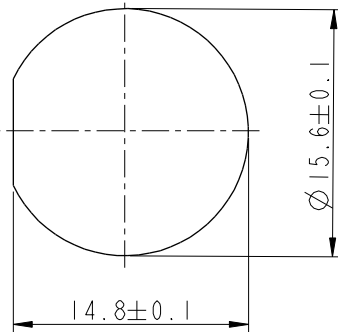


ALTW
CONFIDENTIAL
2019-03-19
R&D DEPT.

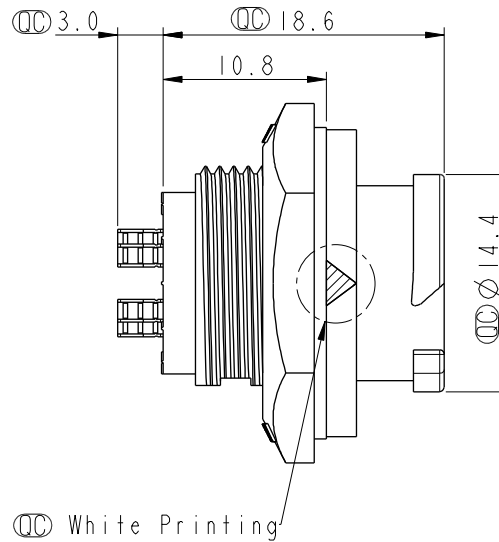
REV.	ECN NO.	DATE	SIGN	DESCRIPTION
B	CI90411	2019/03/19	Vicky	Change Note



Pin Assignments
Front View

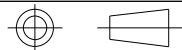


Recommended Panel Cut-out



- Note:**
- * \varnothing Important Dimension To Check.
 - * Waterproof Rate: IP68, Unmated.
In 1 meter water within 24 hours
 - * Housing: Thermoplastic, Black.
 - * Pin: Copper Alloy, Gold Plated.
 - * Nut: Thermoplastic, Black.
 - * Gasket: Rubber, Gray.
 - * Panel Thickness Max: 4.5mm
 - * Gasket and Nut are packed separately in PE bags.

UNIT:mm



TOLERANCE
X ±0.25

TITLE X Lok B-Size Receptacle M Conn M 4 Pin			
SCALE 2:1	SIZE A4	SHEET 1 OF 1	
REV. B	WC-REV. A.4	\varnothing : Inspection item	

Amphenol LTW
安費諾亮泰企業股份有限公司

ITEM NO. BD-04RMMS-QC8001	DRAWN BY Vicky	DATE 2019-03-19
DWG NO. BD-04RMMS-QC8001	CHECKED BY Rita	DATE 2019-03-19
CUSTOMER ALTW	APPROVED BY Max	DATE 2019-03-19

THIS DOCUMENT IS SUBJECT TO CHANGE WITHOUT NOTICE. IT IS CONFIDENTIAL AND A PROPERTY OF Amphenol LTW. DISCLOSURE TO THIRD PARTY HAS TO BE AUTHORIZED BY Amphenol LTW.