

CGA9Q1C0G2J104J280KC

TDK Item Description : CGA9Q1C0G2J104JT***



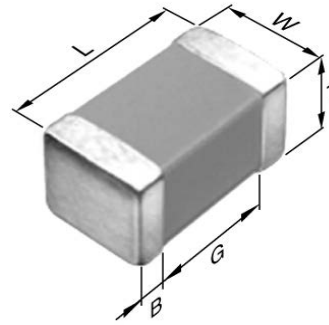
Equivalent C5750C0G2J104J for Automotive

Application & Main Feature

Automotive Grade (Mid Voltage (100 to 630V))

Series

CGA9(5750) [EIA 2220]



Dimensions

L	5.70mm ±0.40mm
W	5.00mm ±0.40mm
T	2.80mm ±0.30mm
B	0.20mm Min.
G	

Temperature Characteristic

C0G (-55 to 125 degC 0+/-30ppm/degC)

Rated Voltage

2J(630Vdc)

Capacitance

100nF

Capacitance Tolerance

J (±5%)

Q Factor

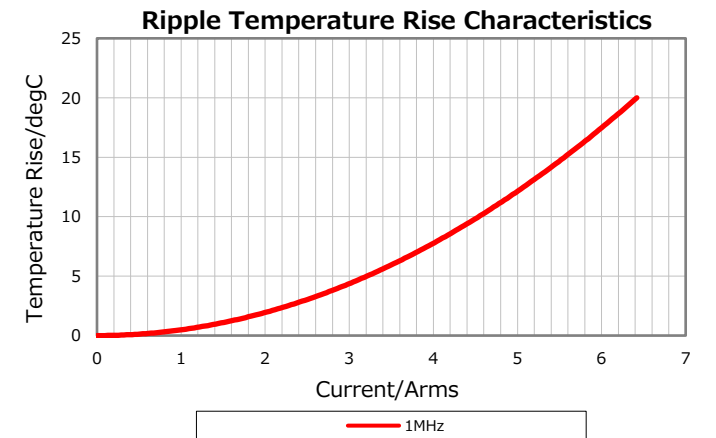
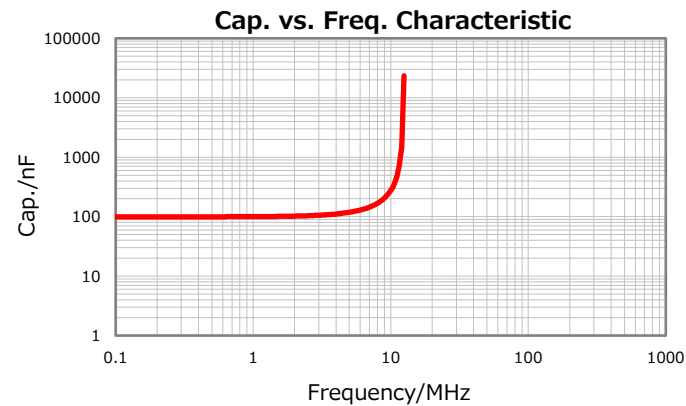
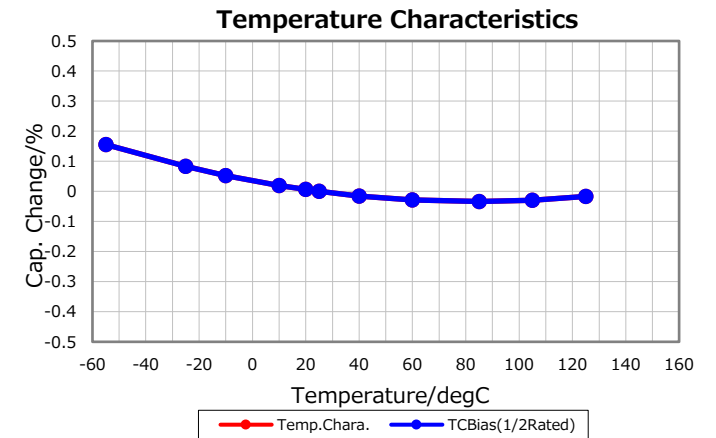
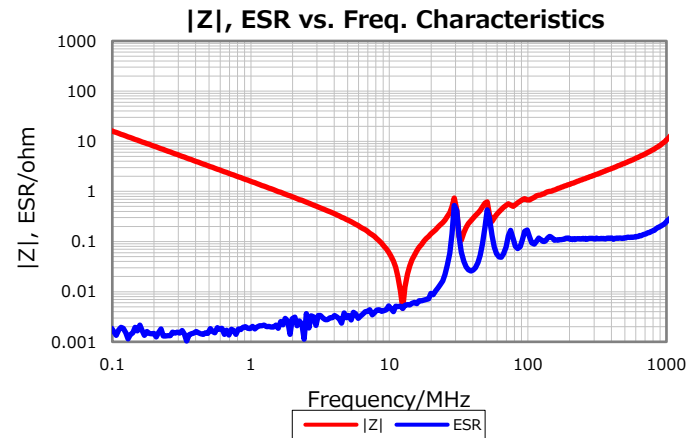
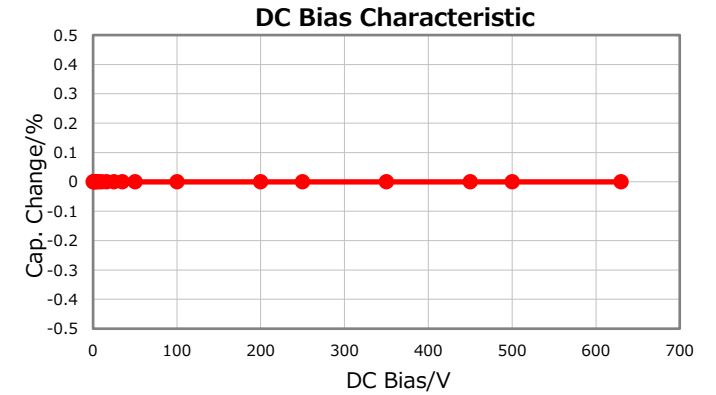
1000 Min.

Insulation Resistance

5Gohm Min

AEC-Q200

Yes



Characterization Sheet (Multilayer Ceramic Chip Capacitors)



All specifications are subject to change without notice.