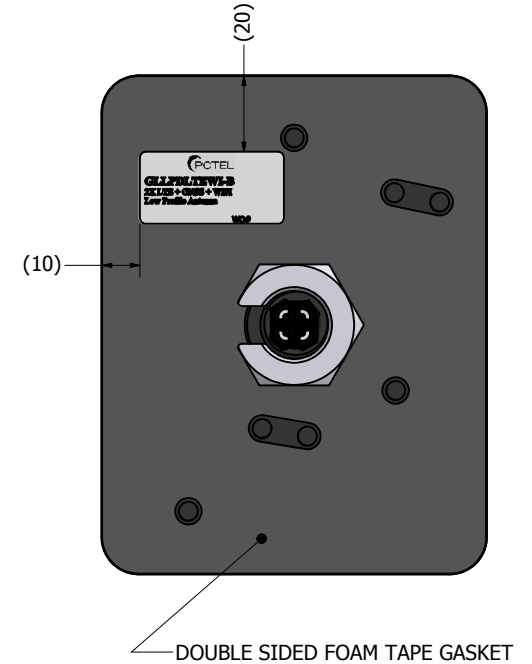
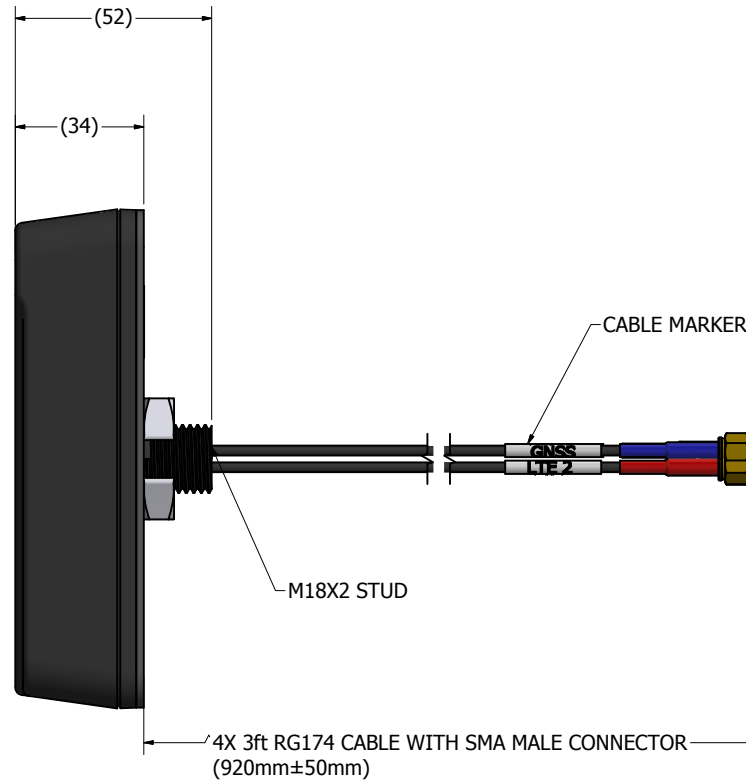
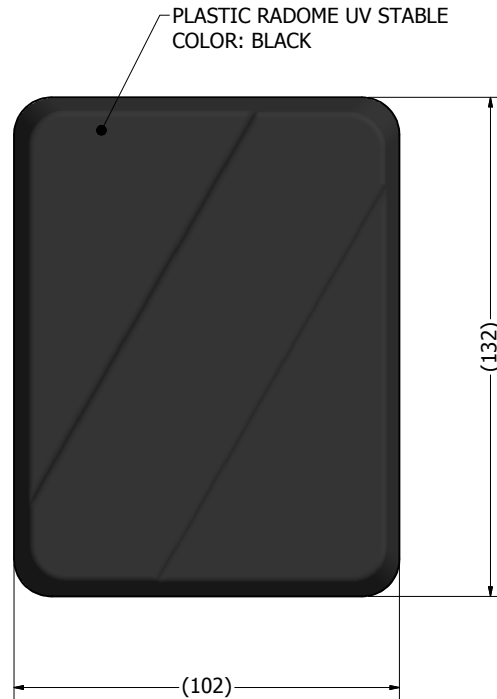


NOTES: UNLESS OTHERWISE SPECIFIED

1. INTERPRET DRAWING PER ANSI/ASME Y14.5
2. PARTS SHALL BE CLEAN AND FREE OF FOREIGN MATTER.
3. ALL MATERIALS SHALL BE ROHS2.0 & REACH COMPLIANT
4. PARTS SHALL BE PACKAGED TO PREVENT DAMAGE IN SHIPMENT AND HANDLING.
5. A (REF) DIMENSION IS FOR INFORMATION PURPOSES ONLY AND NO TOLERANCE IS IMPLIED.

REVISION HISTORY			
REV	DESCRIPTION	DATE	APPROVED
1	RELEASE NEW PART(C27197)	2020/11/19	WY



ALL SURFACE $\Delta 0.2$ UNLESS OTHERWISE SPECIFIED

SUPPLIER PRINT ACCEPTANCE: <input type="checkbox"/> Accept drawing/specification. <input type="checkbox"/> No changes needed. <input type="checkbox"/> This part is RoHS compliant. <input type="checkbox"/> This part is REACH compliant. <input type="checkbox"/> Accept drawing/specification. <input type="checkbox"/> Notes/Mark-ups added. <input type="checkbox"/> Cannot accept drawing/spec. <input type="checkbox"/> Notes/Mark-ups added. Supplier Projected Outgoing Quality: SIGMA LEVEL : _____ or PPM: _____ Signature: _____ Date: _____		UNLESS OTHERWISE SPECIFIED DIMENSIONS ARE IN MILLIMETERS FOR TOLERANCES NOT SPECIFIED USE: [X mm ± 3 mm] [X.X mm ± 3 mm] [X.XX mm ± 13 mm] ANGLE: 90° ± 1°		DRAWN DATE WY 2020/11/19 CHECKED DATE VH 2020/11/19 MATERIAL: SEE COMP. PRINTS FINISH: SEE COMP. PRINTS		PCTEL, INC. 471 BRIGHTON DRIVE BLOOMINGDALE, IL 60108 PH. 630-372-6800 FAX. 630-372-8077			
THIRD ANGLE PROJECTION 				PCTEL PROPRIETARY DATA THE INFORMATION AND/OR DRAWINGS CONTAINED IN THIS DOCUMENT IS CONFIDENTIAL AND PROPRIETARY TO PCTEL, INC. AND MAY NOT BE USED, REPRODUCED, IN WHOLE OR IN PART, OR MODIFIED IN ANY WAY WITHOUT THE EXPRESS WRITTEN PERMISSION OF AN AUTHORIZED REPRESENTATIVE OF PCTEL, INC.				DESCRIPTION LOW PROFILE, 2X LTE, GNSS, WIFI, BLACK HOUSING	
DRAWING NO. GLLPDLTEWI-B		SIZE A2		SCALE 1:1		SHEET 1 OF 1			