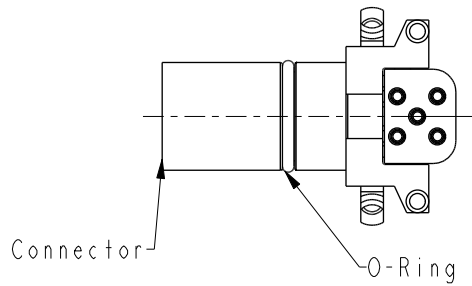
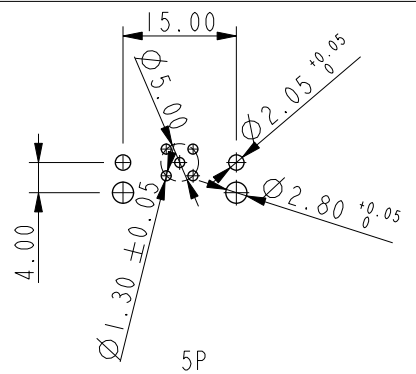
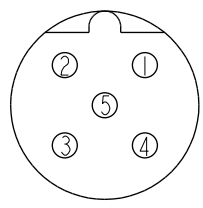
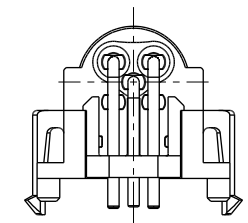
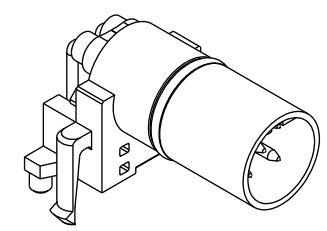
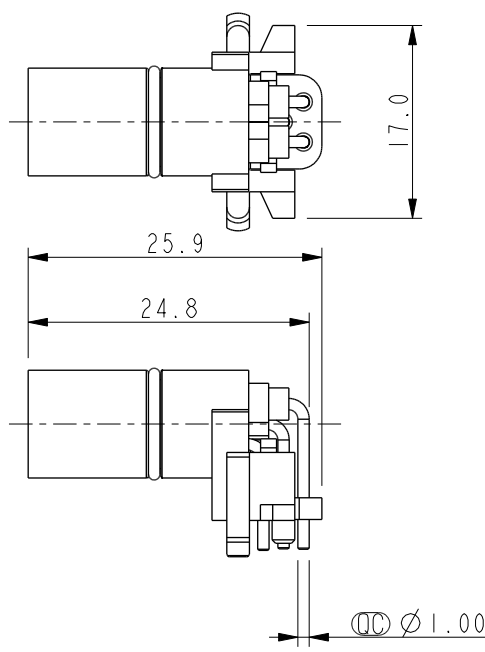
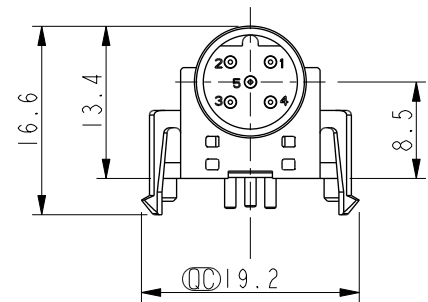


THIS DOCUMENT IS SUBJECT TO CHANGE WITHOUT NOTICE. IT IS CONFIDENTIAL AND A PROPERTY OF AMPHENOL LTW. DISCLOSURE TO THIRD PARTY HAS TO BE AUTHORIZED BY AMPHENOL LTW.

| REV. | ECN NO. | DATE       | SIGN      | DESCRIPTION     |
|------|---------|------------|-----------|-----------------|
| A    |         | 2022-01-20 | Jiahe Lin | Rev.01 To Rev.A |
|      |         |            |           |                 |

M12B-XXPMMR-EE0001  
 XX: No. Of Pin



Note:  
 \* RoHS Compliant  
 \*  $\varnothing$  Important dimension  
 \* Waterproof rate: Non-Waterproof  
 \* Connector  
 Housing: Thermoplastic, Black  
 Pin: Copper alloy, Gold plated  
 O-Ring: Rubber, Black  
 \* For pcb thickness max: 1.6mm

Pin Assignments  
Front View

Recommended PCB Layout

|  |   |  |  |   |  |                                 |      |                         |                 |                    |  |
|--|---|--|--|---|--|---------------------------------|------|-------------------------|-----------------|--------------------|--|
| UNIT:mm<br><br>TOLERANCE<br>.X ±0.25<br>.XX ±0.1<br>.XXX ±0.05<br>ANGLES ±1° | TITLE<br>N SEN, M12 B,<br>RECEPTACLE, M, M, PCB R |  |  | ITEM NO<br>DWG NO<br>M12B-XXPMMR-EE0001 |  | DRAWN BY<br>Jiahe Lin           |      | DATE<br>2022-01-20      |                 |                    |  |
|  | SCALE<br>3:2                                      |  |  | SIZE<br>A4                              |  | SHEET<br>1 OF 1                 |      | CHECKED BY<br>Allen Pan |                 | DATE<br>2022-01-20 |  |
|  | REV.<br>A   |  |  | WC-REV.<br>A.1                          |  | $\varnothing$ : Inspection item |      | APPROVED BY<br>Fred Lee |                 | DATE<br>2022-01-20 |  |
|  | CUSTOMER<br>ALTW                                  |  |  | Amphenol LTW<br>安費諾亮泰企業股份有限公司           |  |                                 | ALTW |                         | W10814-03-001A2 |                    |  |