

## Product Change Notification

LFPCN#: 41314

Issue Date: March 11<sup>th</sup>, 2019

By: Amy Chu

Manager - Product Management

[Achu2@littelfuse.com](mailto:Achu2@littelfuse.com)

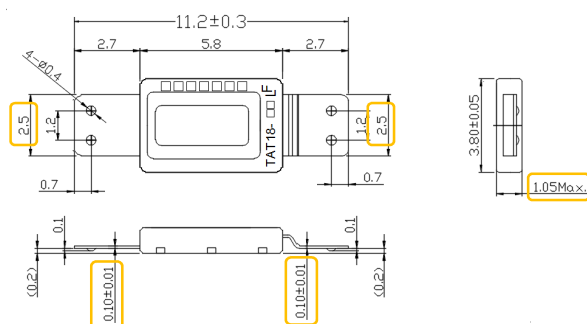
Tel: +86 21 33357344

### Subject: MHP-TAT Product Upgrade

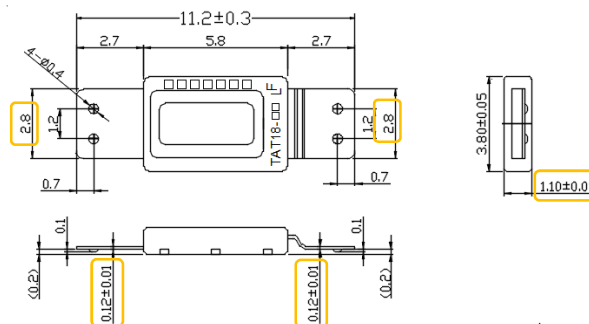
#### Description of Change:

To meet industry trend for battery higher power charge & discharge, MHP-TAT product has been modified to lower its resistance from 3.5mohm max to 2.5mohm max. We made minor modification in terminals, with terminal width changed from 2.5mm to 2.8mm and terminal thickness from 0.10mm to 0.12mm. With this modification, MHP-TAT product thickness is adjusted from 1.05mm max to 1.15mm max.

#### Dimension Before Change:



#### Dimension After Change:



If you would like to have more information, please contact Littelfuse local sales representatives.

#### The Product Affected:

Part Number	Part Description
RF4666-000	MHP-TAT18-9-72
RF4656-000	MHP-TAT18-9-77
RF4657-000	MHP-TAT18-9-82
RF4658-000	MHP-TAT18-9-85
RF4667-000	MHP-TAT18-9-90
RF4785-000	MHP-TAT18-9-72N
RF4668-000	MHP-TAT18-9-77N
RF4786-000	MHP-TAT18-9-82N
RF4629-000	MHP-TAT18-9-85N
RF4787-000	MHP-TAT18-9-90N