

8

7

6

5

4

3

2

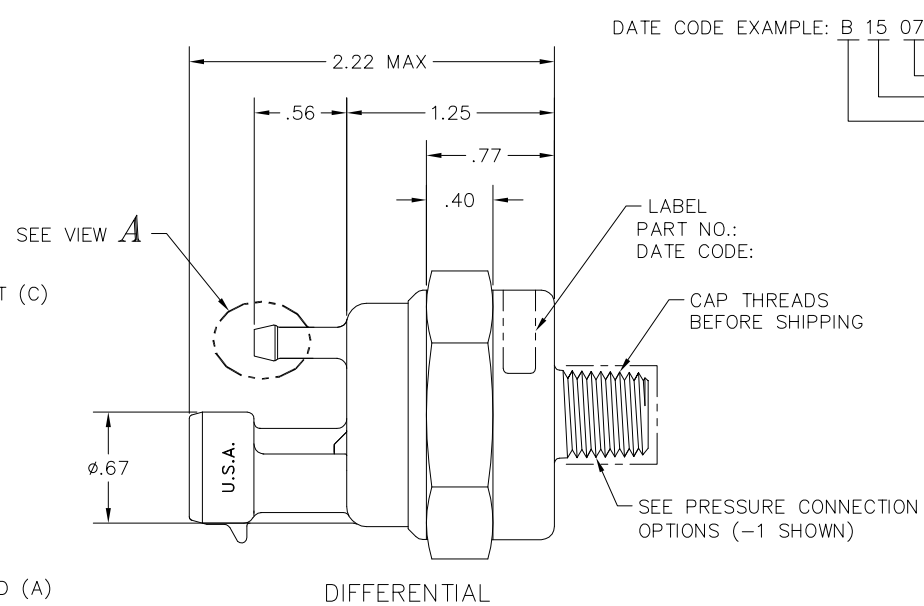
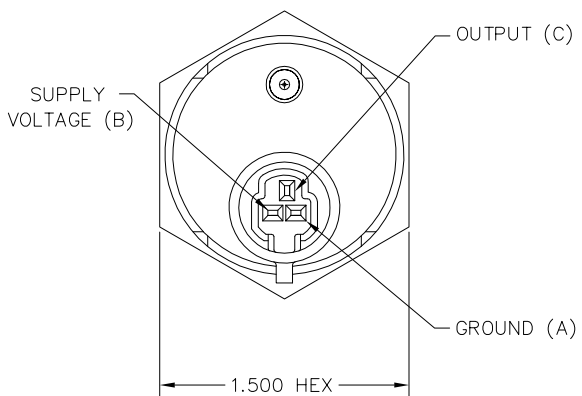
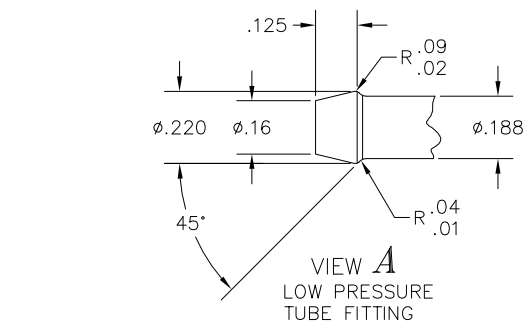
1

Those portions of this technical data indicated as limited rights shall not, without the written permission of Kavlico, be either (A) used, released or disclosed in whole or in part outside of the government (B) used in whole or in part by the government for manufacture, or, in the case of computer software documentation, for preparing the same or similar computer software, or (C) used by a party other than the government, except for (1) emergency repair or overhaul work only, by or for the government, where the item or process concerned is not otherwise reasonably available to enable timely performance of the work, provided that the release or disclosure hereof outside the government shall be made subject to a prohibition against further use, release or disclosure, or (2) release to a foreign government, as the interest of United States may repair or overhaul work by or for such government under the conditions of (1) above. This legend, together with the indications of the portions of this data which are subject to such limitations shall be included on any reproduction hereof which includes any part of the portions subject to such limitations.

REVISIONS			
SYM	DESCRIPTION	DATE	APPROVED
G	REVISED PER ECO. 29925	11/12/07	

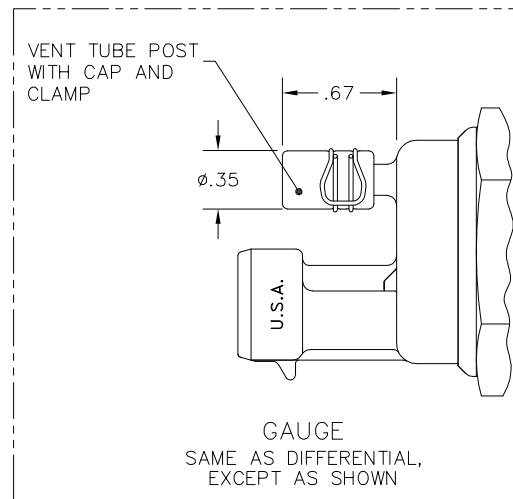
SPECIFICATIONS:

- INPUT**
 PRESSURE RANGE: SEE MODEL DESIGNATION
 PROOF PRESSURE (MAX): 2X FSO (HIGH PRESSURE PORT)
 1 PSIG (LOW PRESSURE PORT)
 BURST PRESSURE (MIN): 3X FSO (HIGH PRESSURE PORT)
 3 PSIG (LOW PRESSURE PORT)
 OPERATING SUPPLY VOLTAGE RANGE (Vs) = 5.000 ±.250 VDC
- OUTPUT VOLTAGE AT 25 °C (CALIBRATED AT Vs = 5.000±.002 VDC):
 0.500±.080 VDC @ NULL SCALE PRESSURE TO
 4.500±.080 VDC @ FULL SCALE PRESSURE
- TOTAL ALLOWABLE ACCURACY: ERROR OF ±3% OF SPAN INCLUDES OFFSET,
 LINEARITY, HYSTERESIS, REPEATABILITY AND
 AND TEMPERATURE(-30°C TO 100°C)
- LINEARITY ERROR: ±0.5% OF FULL SPAN MAX (BEST FIT STRAIGHT LINE).
- DELETED:
- RATIOMETRICITY ERROR IS WITHIN ±1.5% OF FULL SCALE OUTPUT
 OVER 4.750 VDC ≤ Vs ≤ 5.250 VDC AT ROOM TEMPERATURE.
- EXCITATION CURRENT: 3 mA MAX
- RESPONSE TIME: 15 ms MAX. TO 63% OF FULL SCALE PRESSURE WITH STEP
 CHANGE ON INPUT.
- CALIBRATED WITH OUTPUT OF 100K OHMS
- ENVIRONMENTAL:
 OPERATING TEMPERATURE RANGE: FLUOROCARBON, -17°C TO 100°C
 FLUOROSILICONE, -30°C TO 100°C
 STORAGE TEMPERATURE RANGE: FLUOROCARBON, -17°C TO 120°C
 FLUOROSILICONE, -40°C TO 125°C
 VIBRATION: 10 G'S PEAK TO PEAK SINUSOIDAL (10 TO 2000 Hz)
 SHOCK: 75 G'S 1/2 SINEWAVE
- RELIABILITY**
 EXPECTED OPERATING LIFE: 10 MILLION FULL PRESSURE CYCLES MIN
 SHELF LIFE: 10 YEARS MIN
- HOUSING MATERIAL: MAIN BODY - BRASS, CA 360
 CONNECTOR - ZYTEL (NYLON, 33% GLASS REINFORCED)
- WEIGHT: 4.5 OZ. MAX
- EMI PROTECTION: MAXIMUM CHANGE IN OUTPUT DUE TO RF FIELD OF 100
 V/m FROM 10 KHz TO 1 GHz IS ±10% OF Vs.
- ELECTRICAL TERMINATION: BUILT-IN CONNECTOR MATES TO PACKARD
 ELECTRIC DIVISION (PED) METRI-PACK 150 SERIES SEALED CONNECTOR
 #12065287.
 MATING CONNECTOR, ASSEMBLED WITH 12 INCH LONG 16 AWG WIRES
 (PART NO. 181-35-1)
 COLOR CODE FOR LEAD WIRES: RED: SUPPLY VOLTAGE (B)
 BLACK: GROUND (A)
 GREEN: OUTPUT (C)



DATE CODE EXAMPLE: B 15 07

07 CURRENT YEAR
 15 15TH DAY OF MONTH
 B FEBRUARY



PART NO. DESIGNATION:

P356 - 3 G - D 1 A

PRESSURE RANGE (PSI)

- 0 - 0.5 A
- ±0.5 DA
- 0 - 1 1
- 0 - 1.3 1.3
- 0 - 1.6 1.6
- ±1 D1
- 0 - 3 3
- 0 - 5 5

REFERENCE

- DIFFERENTIAL D
- GAUGE G

SEAL MATERIAL

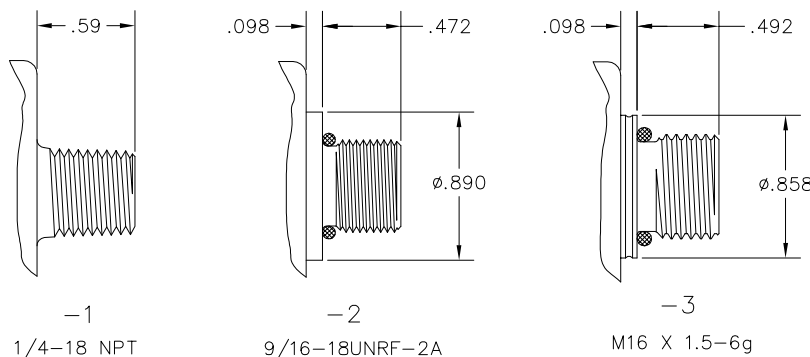
- FLUOROCARBON D
- FLUOROSILICONE E

PRESSURE CONNECTION

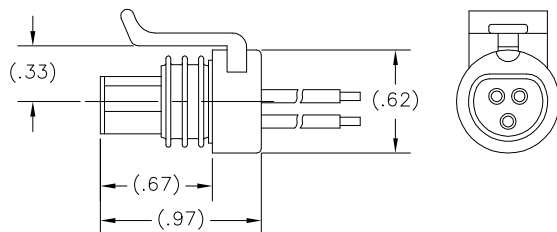
- 1/4-18 NPT 1
- 9/16-18UNRF-2A 2
- M16 X 1.5-6g 3

ELECTRICAL

- WITH MATING CONNECTOR A
- WITHOUT MATING CONNECTOR C



PRESSURE CONNECTION OPTIONS



MATING CONNECTOR (ELECTRICAL OPTION - A)

P356		DO NOT SCALE THIS DRAWING ALL DIMENSIONS ARE IN INCHES AND/OR [MILLIMETERS] DIMENSIONING & TOLERANCING PER ANSI Y14.5M-1982		THIRD ANGLE PROJECTION PART TO BE CLEAN AND OIL FREE		KAVLICO A SOLECTRON COMPANY	
REMOVE BURRS AND BREAK SHARP EDGES: MACHINED FILLET RADII TO BE		TOL: .XX ±.03 [X ±.8] FRACT ±1/32 .XXX ±.010 [XX ±.25] ANG ±1/2° DRAFT ANGLE 1/2° MAX		DRAWN R.T. CRUZ 6/20/97		TITLE PRESSURE TRANSDUCER	
SIGNIFICANT CHARACTERISTICS PER QCP 154		✓ FINISH PER ANSI B46.1 ALL MACHINED SURFACES		CHECKED D. KIM 7/01/97		SIZE B 22863	
CUSTOMER		THREADS SHALL BE IN ACCORDANCE WITH ASME B1.1 ABBREVIATIONS PER ASME Y1.1		APPROVED M. URBAN 7/08/97		DRAWING NO. P356-TAB	
CUSTOMER SPEC. NO.		UNLESS OTHERWISE SPECIFIED		APPROVED		REV G	
CUSTOMER DWG. NO.						SCALE NONE CAD: AUTOCAD SHEET 1 OF 1	

DRAWING NO. P356-TAB