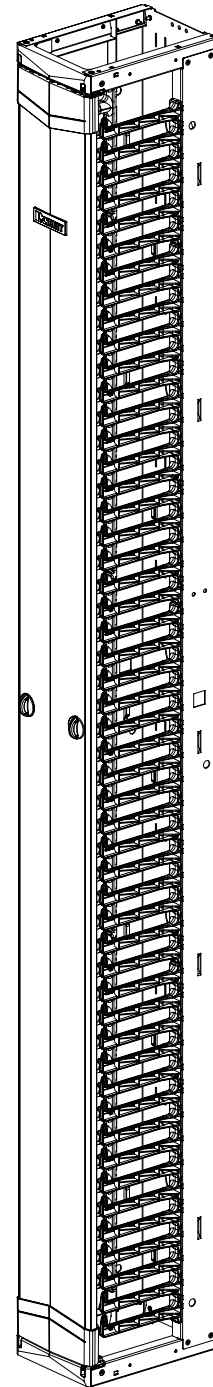
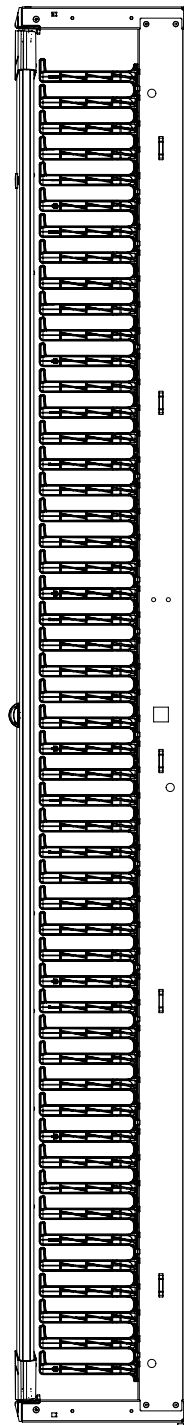
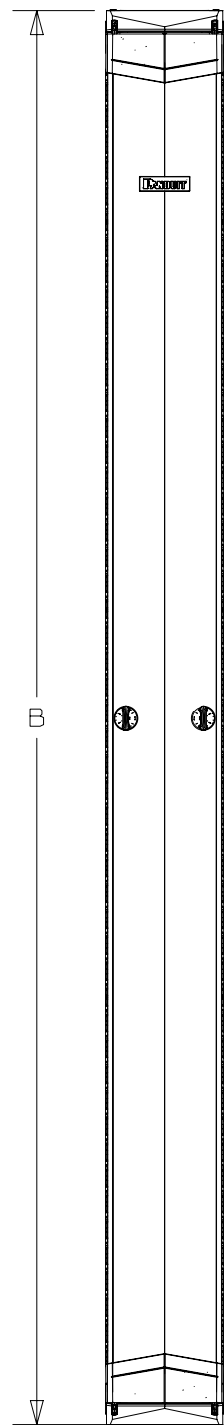


DISTANCE OF OPEN DOOR



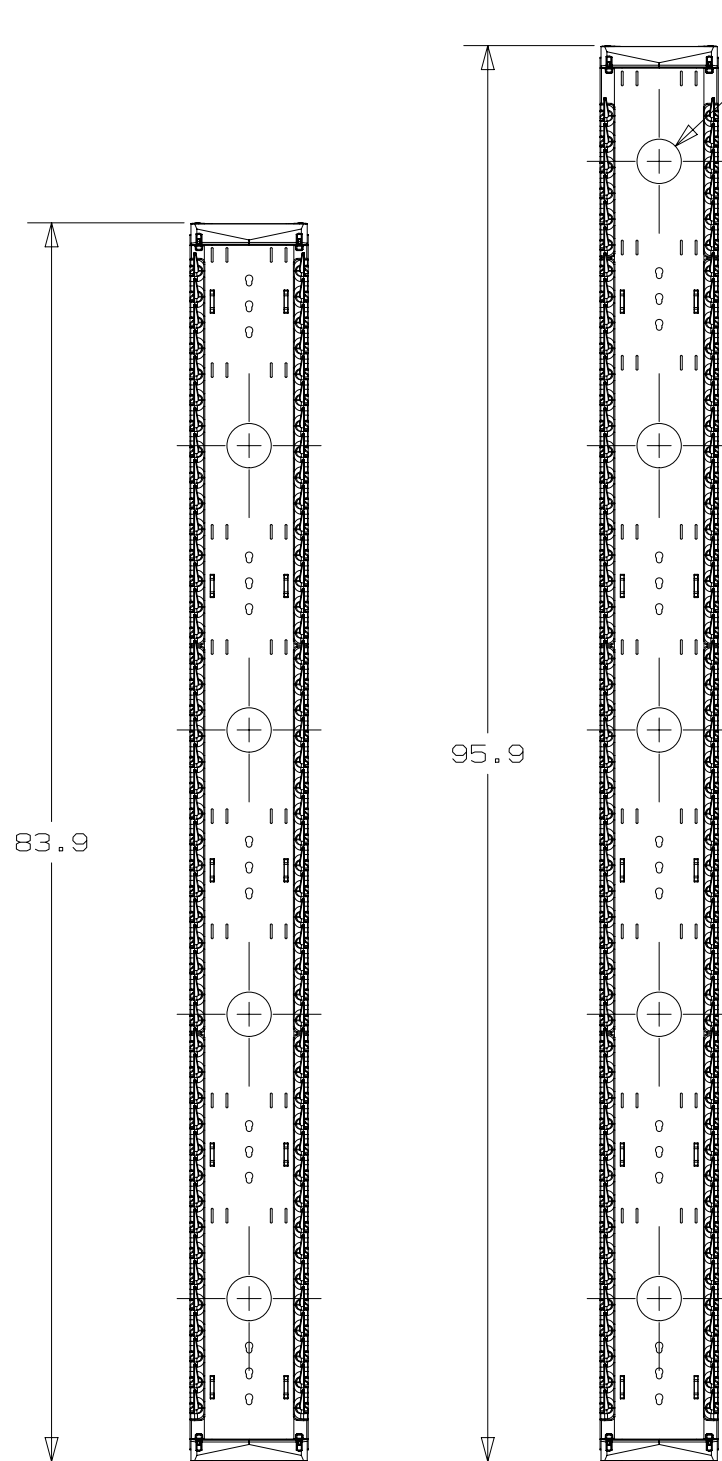
NOTES:

1. VISIT OUR ON-LINE CATALOG AT WWW.PANDUIT.COM FOR A LIST OF CURRENT PARTS APPLICABLE FOR USE WITH THIS PRODUCT.
2. DIMENSIONS IN [] ARE METRIC.
3. WEIGHT: SEE TABLE ON PAGE 3
4. PART INCLUDES:
 - 1- PATCHRUNNER 2 VERTICAL MANAGER, FRONT FINGERS ONLY
 - 1- PATCHRUNNER 2 DUAL HINGE DOOR, FOR VERTICAL CABLE MANAGER
 - 1- HARDWARE KIT
5. CAN BE USED WITH ANY 19 OR 23 INCH EIA STANDARD RACK
6. ALL DIMENSIONS ARE REFERENCE ONLY.

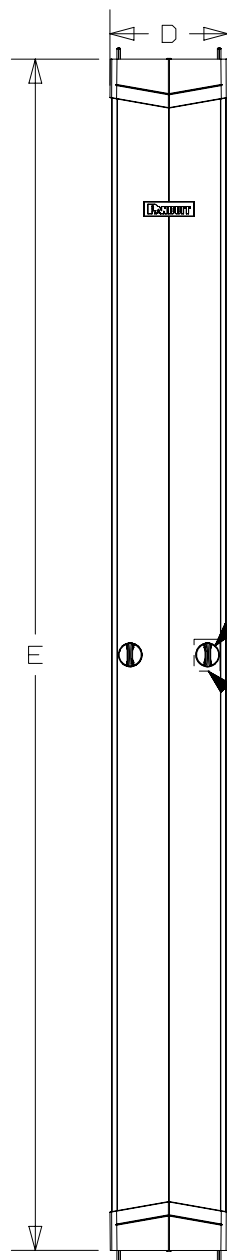
PART NUMBER		PR2VFD**	
TITLE			
PATCHRUNNER 2 VERTICAL CABLE MANAGERS, FRONT FINGERS ONLY AND DOOR			
CUSTOMER DRAWING			
ITEM REVISION NAME		14V455MV/00	
DATASET FILE NAME		14V455MV_DC/00C	
		PANDUIT	
		MATERIAL:	
		BACKBONE & DOOR SKIN: STEEL FINGERS, CROSSBARS, DOOR ENDS, DOOR KNOBS: ABS HINGE PINS & HINGE LATCHES: POLYCARBONATE	
		DRAWING NUMBER:	
		14V455MV-DC	
DRAWN BY		DATE	CHK
BJN		11-1-17	JCO
		SCALE	NONE
		THIRD ANGLE PROJECTION	
		SHT 1 OF 3	
		SIZE	
		B	

00C	4-17-18	BJN	JCO	JEFK	ADDED ** TO ALL 96" (8FT) PART NUMBERS	14V455MV-DC
REV	DATE	BY	CHK	APR	DESCRIPTION	ECN

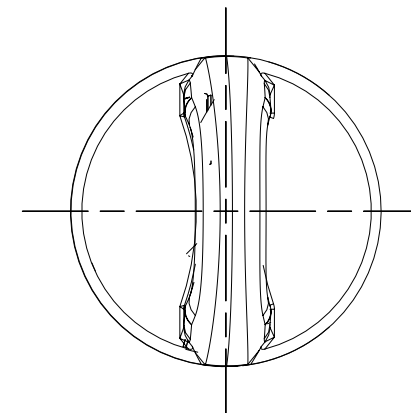
D10100DB/17



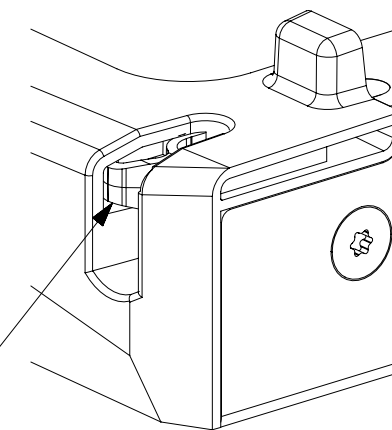
CABLE MANAGER SHOWN WITHOUT DOORS



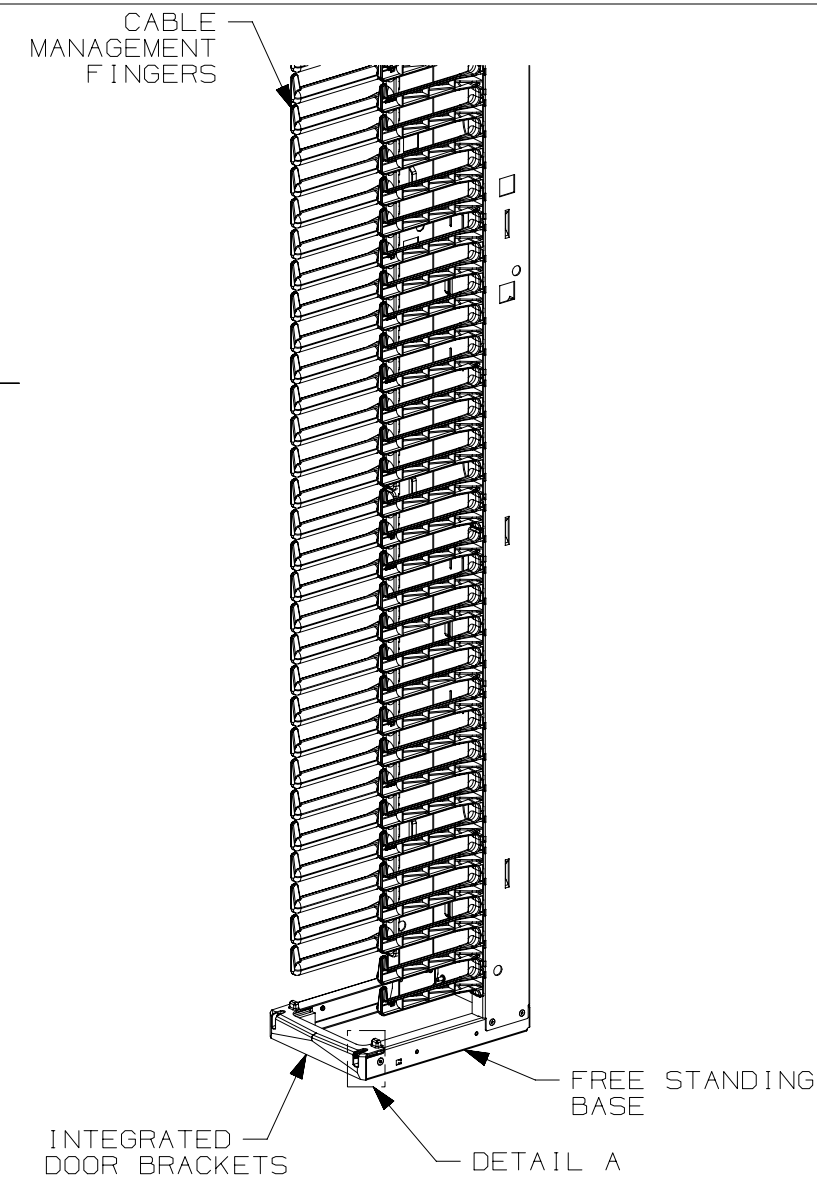
DOOR



DETAIL B SCALE 1:1



DETAIL A SCALE 1:1



CABLE MANAGER SHOWN WITHOUT DOORS

00C	4-17-18	BJN	JCO	JEFK	SEE SHEET 1 FR REVISION HISTORY	14V455MV-DC
REV	DATE	BY	CHK	APR	DESCRIPTION	ECN

PART NUMBER		PR2VFD**				
TITLE		PATCHRUNNER 2 VERTICAL CABLE MANAGERS, FRONT FINGERS ONLY AND DOOR				
		CUSTOMER DRAWING				
ITEM REVISION NAME		14V455MV/00				
DATASET FILE NAME		14V455MV_DC/00C				
		MATERIAL: BACKBONE & DOOR SKIN: STEEL FINGERS, CROSSBARS, DOOR ENDS, DOOR KNOBS: ABS HINGE PINS & HINGE LATCHES: POLYCARBONATE				
		DRAWING NUMBER: 14V455MV-DC				
DRAWN BY		DATE	CHK	SCALE	THIRD ANGLE PROJECTION	
BJN		11-7-17	JCO	NONE	SHT 2 OF 3	
				SIZE	B	

D10100DB/17

PART NO.	DESCRIPTION	A-OVERALL WIDTH		B-OVERALL HEIGHT		C-OVERALL DEPTH		D-DOOR WIDTH		E-DOOR HEIGHT		F-DOOR OPENING DEPTH		MANAGERS AND DOORS FULLY UNPACKED WEIGHT	MANAGERS AND DOOR SHIPPING WEIGHT
		INCHES	MM	INCHES	MM	INCHES	MM	INCHES	MM	INCHES	MM	INCHES	MM		
PR2VFD06**	PATCHRUNNER 2 VERTICAL MANAGER AND DOOR, 6in WIDE, 7ft TALL, FRONT ONLY	6.00	152.4	83.88	2130.4	12.0	304.5	5.99	152.1	80.77	2051.6	4.62	117.3	34.86 LBS EACH [15.8 KG EACH]	36.86 LBS EACH [16.7 KG EACH]
PR2VFD08**	PATCHRUNNER 2 VERTICAL MANAGER AND DOOR, 8in WIDE, 7ft TALL, FRONT ONLY	8.00	203.2	83.88	2130.4	12.0	304.5	7.99	202.9	80.77	2051.6	6.60	167.7	39.62 LBS EACH [18 KG EACH]	41.62 LBS EACH [18.9 KG EACH]
PR2VFD10**	PATCHRUNNER 2 VERTICAL MANAGER AND DOOR, 10in WIDE, 7ft TALL, FRONT ONLY	10.00	254.0	83.88	2130.4	12.0	304.5	9.99	253.7	80.82	2052.9	8.60	218.4	44.42 LBS EACH [20.1 KG EACH]	46.42 LBS EACH [21.1 KG EACH]
PR2VFD12**	PATCHRUNNER 2 VERTICAL MANAGER AND DOOR, 12in WIDE, 7ft TALL, FRONT ONLY	12.00	304.8	83.88	2130.4	12.0	304.5	11.99	304.5	80.81	2052.6	10.60	269.2	49.18 LBS EACH [22.3 KG EACH]	51.18 LBS EACH [23.3 KG EACH]
PR2VFD0696**	PATCHRUNNER 2 VERTICAL MANAGER AND DOOR, 6in WIDE, 8ft TALL, FRONT ONLY	6.00	152.4	95.88	2435.2	12.0	304.5	5.99	152.1	92.77	2356.4	4.62	117.3	39.12 LBS EACH [17.7 KG EACH]	41.12 LBS EACH [18.7 KG EACH]
PR2VFD0896**	PATCHRUNNER 2 VERTICAL MANAGER AND DOOR, 8in WIDE, 8ft TALL, FRONT ONLY	8.00	203.2	95.88	2435.2	12.0	304.5	7.99	202.9	92.77	2356.4	6.60	167.7	44.5 LBS EACH [20.2 KG EACH]	46.5 LBS EACH [21.1 KG EACH]
PR2VFD1096**	PATCHRUNNER 2 VERTICAL MANAGER AND DOOR, 10in WIDE, 8ft TALL, FRONT ONLY	10.00	254.0	95.88	2435.2	12.0	304.5	9.99	253.7	92.82	2357.7	8.60	218.4	46.46 LBS EACH [21.1 KG EACH]	48.46 LBS EACH [22 KG EACH]
PR2VFD1296**	PATCHRUNNER 2 VERTICAL MANAGER AND DOOR, 12in WIDE, 8ft TALL, FRONT ONLY	12.00	304.8	95.88	2435.2	12.0	304.5	11.99	304.5	92.81	2357.4	10.60	269.2	55.31 LBS EACH [25.1 KG EACH]	57.31 LBS EACH [26 KG EACH]
PR2VFD0679	PATCHRUNNER 2 VERTICAL MANAGER AND DOOR, 6in WIDE, 6.5ft TALL, FRONT ONLY	6.00	152.4	78.88	2003.4	12.0	304.5	5.99	152.1	75.77	1924.6	4.62	117.3	33.01 LBS EACH [15 KG EACH]	35.01 LBS EACH [15.9 KG EACH]
PR2VFD1279	PATCHRUNNER 2 VERTICAL MANAGER AND DOOR, 12in WIDE, 6.5ft TALL, FRONT ONLY	12.00	304.8	78.88	2003.4	12.0	304.5	11.99	304.5	75.77	1924.6	10.60	269.2	46.55 LBS EACH [21.1 KG EACH]	48.55 LBS EACH [22 KG EACH]

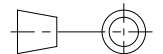
**DENOTES COLOR
NONE=BLACK
WH=WHITE

REV	DATE	BY	CHK	APR	DESCRIPTION	ECN
00C	4-17-18	BJN	JCO	JEFK	SEE SHEET 1 FOR REVISION HISTORY	14V455MV-DC

PART NUMBER		PR2VFD**	
TITLE			
PATCHRUNNER 2 VERTICAL CABLE MANAGERS, FRONT FINGERS ONLY AND DOOR			
CUSTOMER DRAWING			
ITEM REVISION NAME		14V455MV/00	
DATASET FILE NAME		14V455MV_DC/00C	
DRAWN BY		DATE	
BJN		11-7-17	
CHK		SCALE	
JCO		NONE	
DRAWING NUMBER:		14V455MV-DC	
SHT 3 OF 3		SIZE	
		B	



MATERIAL:
BACKBONE & DOOR SKIN: STEEL
FINGERS, CROSSBARS, DOOR ENDS, DOOR KNOBS: ABS
HINGE PINS & HINGE LATCHES: POLYCARBONATE



THIRD ANGLE PROJECTION

D10100DB/17