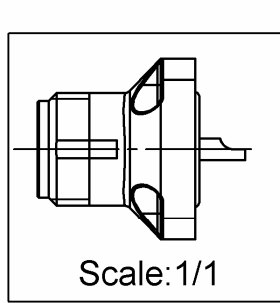
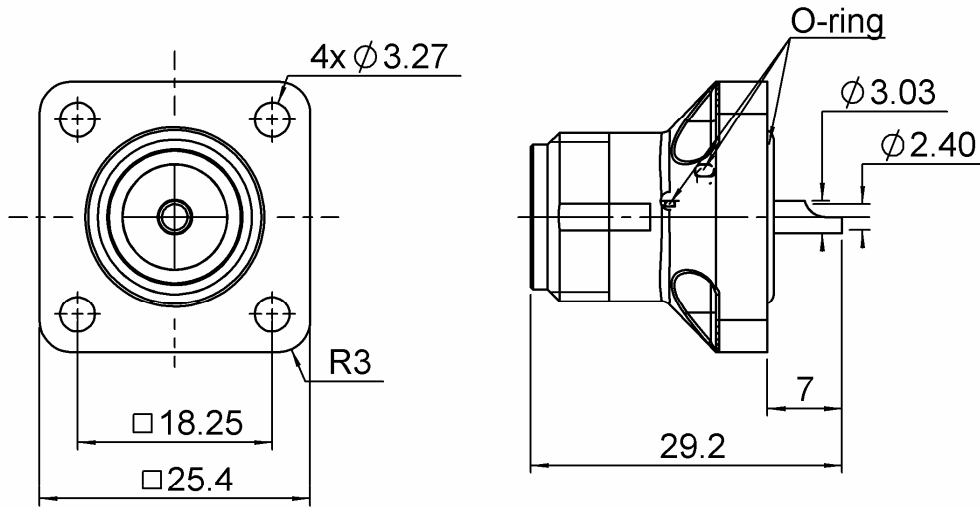


**COMPOSITE SQUARE FLANGE JACK RECEPTACLE  
COMBINATION SEAL-WITH SOLDER POT CONTACT**

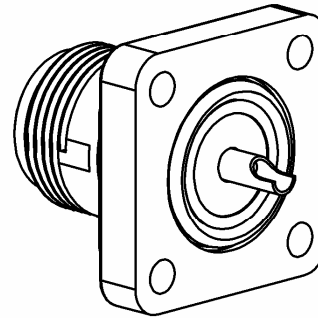
**R161.404.C02**

Series : N COMPOSITE

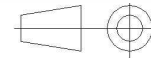


**PANEL CUT OUT**

mm		
	Maxi	mini
A	10.10	10.00
B	3.40	3.30
C	18.30	18.20



All dimensions are in mm.



COMPONENTS	MATERIALS	PLATING (µm)
BODY	COMPOSITE MATERIAL - BLACK	
CENTER CONTACT	BRONZE	SILVER 3 OVER COPPER 0.5
OUTER CONTACT	BRASS	BBR 2
INSULATOR	PTFE	
GASKET	SILICONE RUBBER	
OTHERS PARTS		
-	-	-
-	-	-

Issue : 0908 A

In the effort to improve our products, we reserve the right to make changes judged to be necessary.



**COMPOSITE SQUARE FLANGE JACK RECEPTACLE  
COMBINATION SEAL-WITH SOLDER POT CONTACT**

**R161.404.C02**

Series : N COMPOSITE

**PACKAGING**

Standard	Unit	Other
<b>50</b>	<b>'W' option</b>	<b>Contact us</b>

**SPECIFICATION**

**ELECTRICAL CHARACTERISTICS**

Impedance	<b>50</b>	$\Omega$
Frequency	<b>0-11</b>	GHz
VSWR	<b>1.02* + 0.0200</b>	x F(GHz) Maxi
Insertion loss	<b>0.048</b>	$\sqrt{F}$ (GHz) dB Maxi
RF leakage	- ( <b>NA</b> )	- F(GHz)) dB Maxi
Voltage rating	<b>850</b>	Veff Maxi
Dielectric withstanding voltage	<b>2500</b>	Veff mini
Insulation resistance	<b>5000</b>	M $\Omega$ mini

**ENVIRONMENTAL**

Operating temperature	<b>-40/+85</b>	$^{\circ}$ C
Hermetic seal	<b>NA</b>	Atm.cm3/s
Panel leakage	<b>IP67</b>	

**OTHER CHARACTERISTICS**

Assembly instruction **NA**

Others :

\* Coaxial Transmission Line Only

\*6-11GHz, VSWR:1.2 maxi

PIM3:-115dBm under 2 carriers of +43dBm

**MECHANICAL CHARACTERISTICS**

Center contact retention		
Axial force – Mating end	<b>27</b>	N mini
Axial force – Opposite end	<b>27</b>	N mini
Torque	<b>2.8</b>	N.cm mini
Recommended torque		
Mating	<b>NA</b>	N.cm
Panel nut	<b>NA</b>	N.cm
Mating life	<b>500</b>	Cycles mini
Weight	<b>16.0100</b>	g

Issue : 0908 A

In the effort to improve our products, we reserve the right to make changes judged to be necessary.

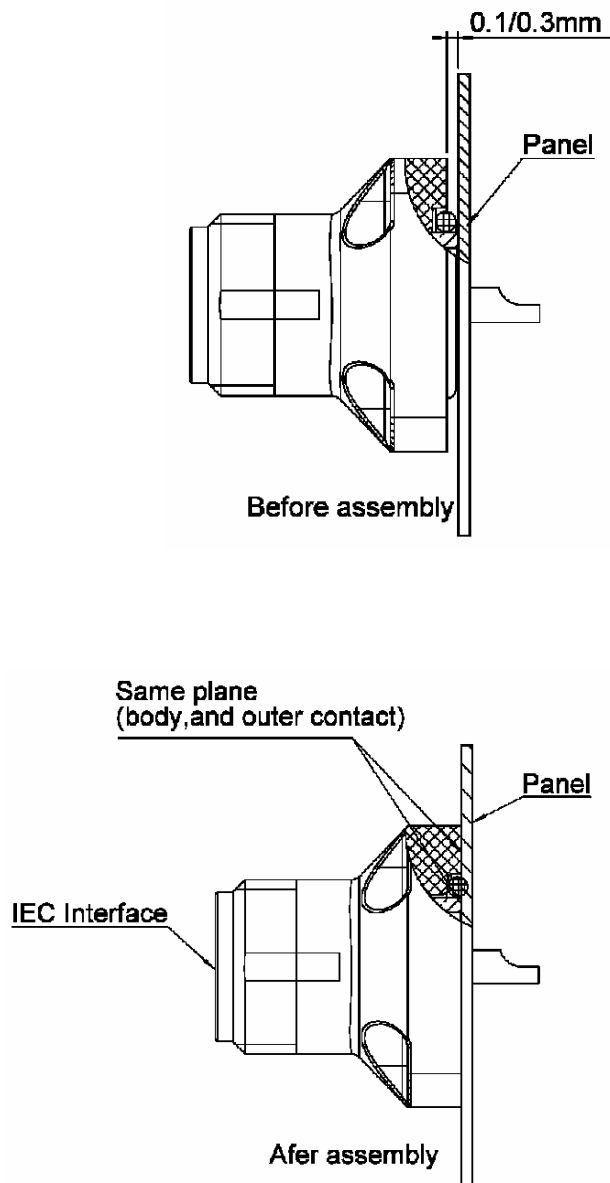


**COMPOSITE SQUARE FLANGE JACK RECEPTACLE  
COMBINATION SEAL-WITH SOLDER POT CONTACT****R161.404.C02**

Series : N COMPOSITE

**Assembly instruction**

Prior to the installation, the outer contact is slightly protruded from the rear flange (0.1/0.3mm). During the installation, the outer contact is pushed inside the composite housing. In its final position, the outer contact is aligned with the rear flange, and in contact with the panel. During mating, the outer contact is pressed against the panel, reducing significantly the IM3 generation.



Issue : 0908 A

In the effort to improve our products, we reserve the right to make changes judged to be necessary.

**RADIALL** 