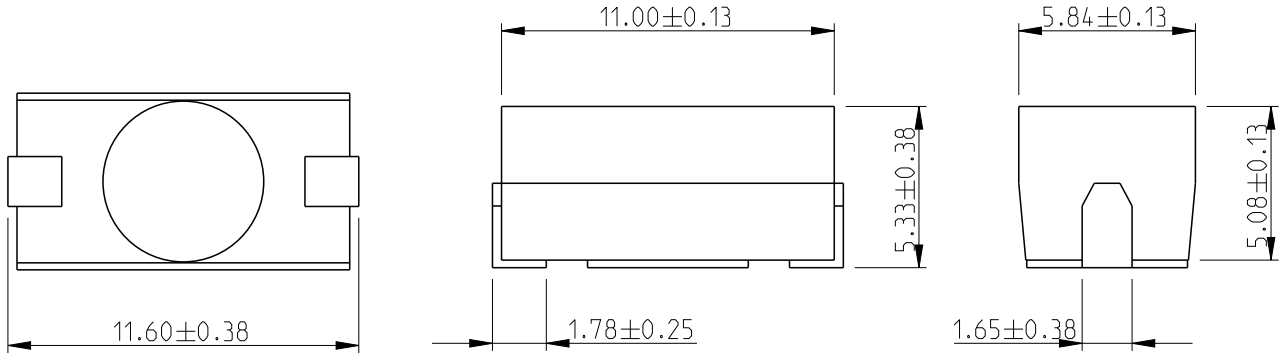


REVISIONS					
P	LTR	DESCRIPTION	DATE	DWN	APVD
	BA	NEW RELEASE	10JULY2010	PT	St.P
	BA1	ECR-13-019092	07DEC2013	KR	TN
	BB	ECR-14-002163	17FEB2014	KR	TN

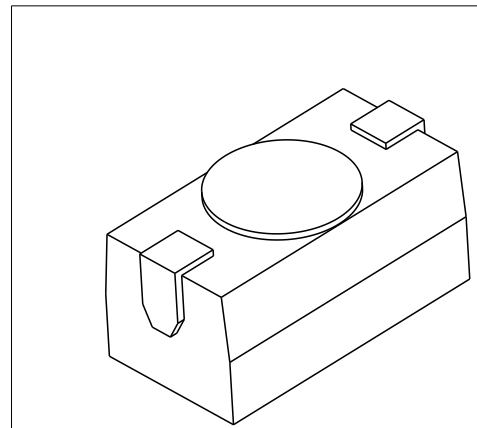
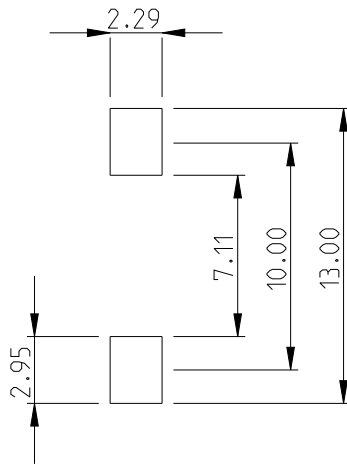
FOR FURTHER INFORMATION SEE DATA SHEET FOR SERIES S - SMD MOULDED POWER RESISTOR

NOTE:

1. Terminal Finish - Hot Dipped Sn. Min 5µM



RECOMMENDED LAND PATTERN



2008


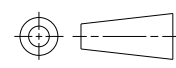
RELEASED FOR PUBLICATION

ALL RIGHTS RESERVED.

THIS DRAWING IS UNPUBLISHED.

BY -

© COPYRIGHT 2008

DIMENSIONS:		DWN	10JULY2010	MATERIAL	FINISH	
mm		PARUSURAM.T		-	-	
TOLERANCES UNLESS OTHERWISE SPECIFIED:		CHK	10JULY2010	 TE Connectivity		
0 PLC $\pm 0.2$		ALLAN.P				
1 PLC $\pm 0.1$		APVD	10JULY2010	NAME SMD MOULDED POWER RESISTOR SERIES SP2		
2 PLC $\pm$		STEPHEN.P				
3 PLC $\pm$		PRODUCT SPEC		SIZE	CAGE CODE	DRAWING NO
4 PLC $\pm$		APPLICATION SPEC		A 4	00779	C=1624297
ANGLES $\pm 5^\circ$		WEIGHT		RESTRICTED TO		
				-		
Customer Drawing				SCALE	4:1	SHEET 1 OF 1
				REV BB		