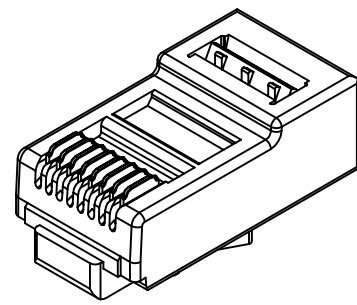
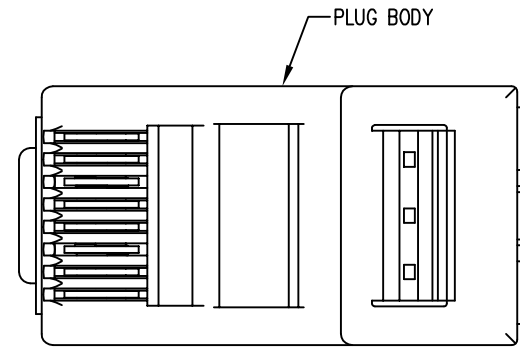


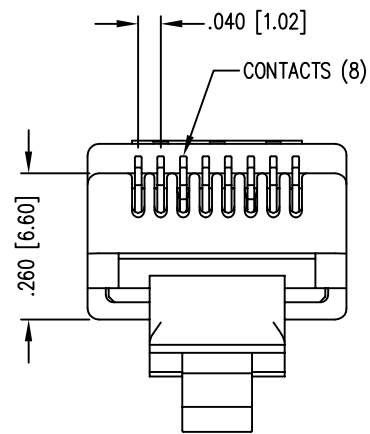
DATE	REV	ECN	APP'D. BY
11-11-15	A5	10457	TRM
2-18-16	A6	10556	TRM



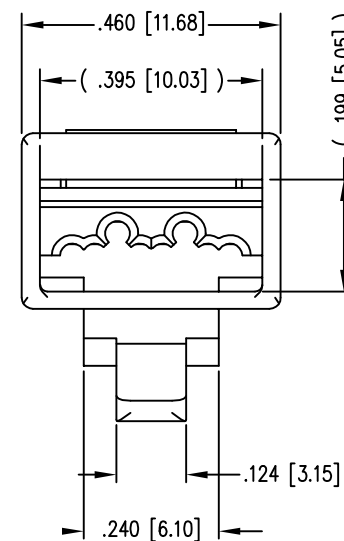
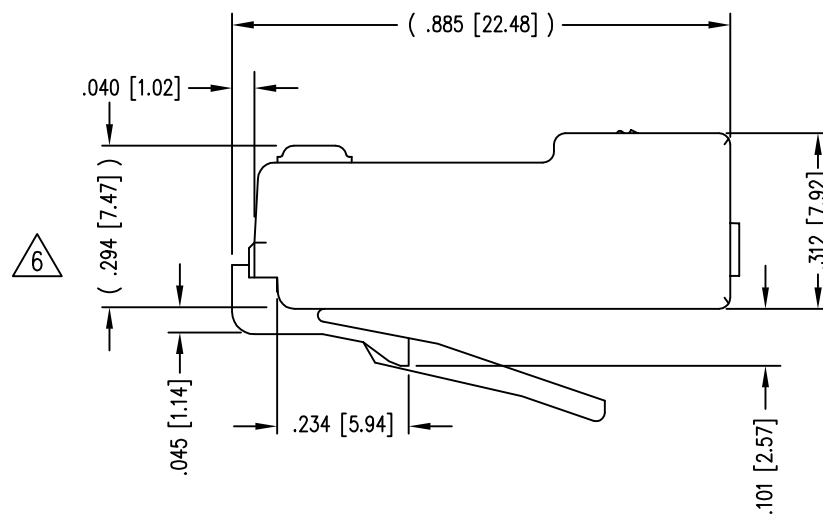
PLUG HOUSING



PLUG BODY

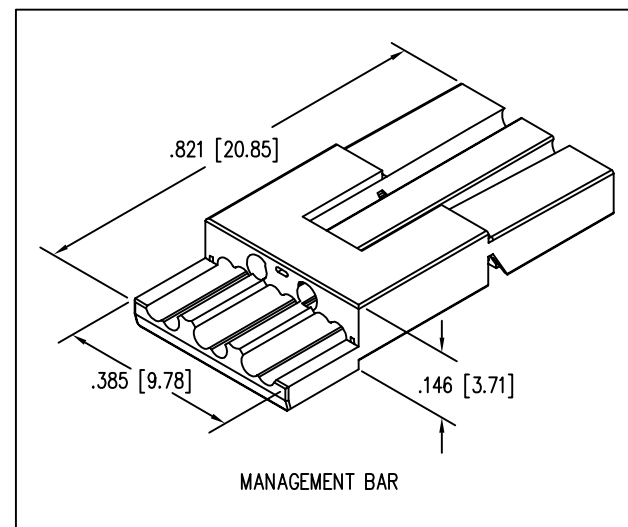


CONTACTS (8)



NOTES:

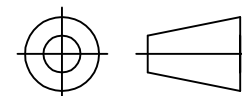
- 1- PLUG KIT CONSISTS OF :  
PRE-INSERTED PLUG BODY  
MANAGEMENT BAR
- 2- MATERIALS :  
FRONT HOUSING PLASTIC : CLEAR POLYCARBONATE, UL 94-V0  
MANAGEMENT BAR : POLYCARBONATE, UL 94-V0, COLOR: BLACK  
MANAGEMENT BAR COMPENSATOR: TIN PLATED BRASS  
CONTACTS : PHOSPHOR BRONZE, SELECTIVE GOLD PLATING
- 3- CONTACTS TERMINATE SOLID OR STRANDED CONDUCTORS BETWEEN .037 [0.94] TO .042 [1.07] OUTSIDE DIAMETER OF INSULATION.
- 4- PLUG SPECIFICATION: FOR CATEGORY 6 APPLICATIONS.
- 5- DIMENSIONS AND TOLERANCES COMPLY WITH TIA-1096 STANDARD.
- 6- TERMINATED PLUG HEIGHT: .237 [6.02] ±.005 [0.13]
- 7- FOR PRODUCT SPECIFICATION SEE PR026-01



MANAGEMENT BAR

BAGS OF 25	50 MICRO-INCHES [1.27um]	SS-39100-005
BULK	50 MICRO-INCHES [1.27um]	SS-39100-002
PACKAGING	CONTACT PLATING IN MATING AREA	PART NUMBER

THIRD ANGLE PROJECTION



1118 Susquehanna Trail South  
Glen Rock, PA 17327-9199  
(717) 235-7512

<http://www.stewartconnector.com>

DO NOT SCALE DRAWING  
DRAWING IS SUBJECT TO  
CHANGE WITHOUT NOTICE

TITLE:  
8 POSITION/8 CONDUCTOR STANDARD UNSHIELDED PLUG ASSEMBLY

DIMENSIONS: INCHES [METRIC]  
UNLESS OTHERWISE SPECIFIED  
TOLERANCES ARE ±.005 [0.13]  
ANGLES ARE ± 1°

THIS DRAWING AND THE SUBJECT MATTER SHOWN THEREON ARE CONFIDENTIAL AND THE PROPRIETARY PROPERTY OF STEWART CONNECTOR AND SHALL NOT BE REPRODUCED, COPIED, OR USED IN ANY MANNER WITHOUT PRIOR WRITTEN CONSENT OF STEWART CONNECTOR. ONE OR MORE U.S. PATENTS MAY APPLY TO THIS PRODUCT. FOR DETAILS, PLEASE VISIT: [HTTP://BELFUSE.COM/STEWART/STEWART\\_PATENTS/](http://BELFUSE.COM/STEWART/STEWART_PATENTS/)

DRN BY:	JAF	DATE	1-6-00
APPD BY:	RGC	DATE	1-7-00
DWG NO.	CT390003	REV.	A6

SHEET NO. 1 OF 1

