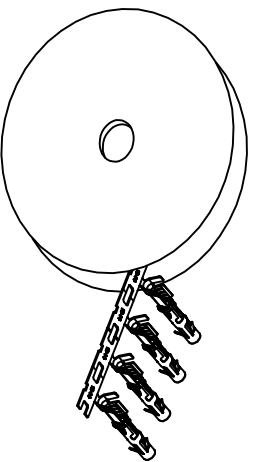


REVISIONS				
REV	ECO	DESCRIPTION	DATE	BY APPR
A1	-	RELEASED DRAWING	Jul-16-18	Flan Tommy

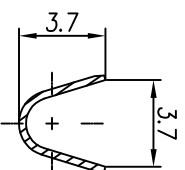


CONTACT ORIENTATION ON ROLL(3000PCS/COIL)

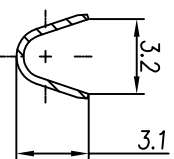
NOTES : (UNLESS OTHERWISE SPECIFIED)

1. MATERIAL :
 - 1.1. CONTACT BODY : COPPER ALLOY.
 - 1.2. OUTER SPRING : STAINLESS STEEL.
2. SPECIFICATIONS :
 - 2.1 CURRENT RATING : 13A MAX.
 - 2.2 TERMINATION TYPE : CRIMPING.
 - 2.3 WIRE RANGE : 14~16AWG.
 - 2.4 WIRE INSULATION DIA(MAX) : ϕ 3.2mm.
3. RoHS COMPLIANT.
4. ALL DIMENSIONS ARE FOR REFERENCE USE ONLY.
5. AVAILABLE TOOLS :
 - 5.1 HAND CRIMPER : MFX-3954.
 - 5.2 CRIMP APPLICATOR : MFX-3957.
 - 5.3 EXTRACTION TOOL : QXRT16.

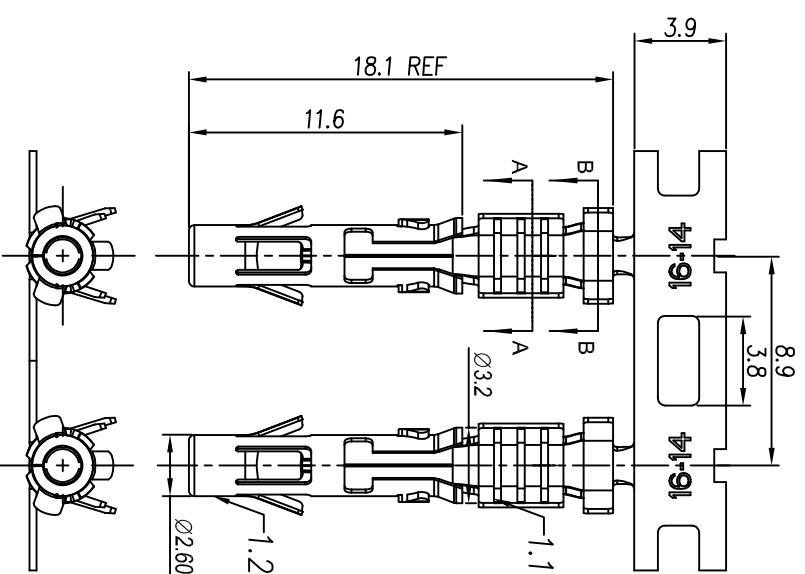
P/N	CONTACT PLATING(MATING AREA)
SS14M2T	TIN PLATING OVER NICKEL.
SS14M2N	NICKEL PLATING OVER COPPERIZE.
SS14M2F	GOLD FLASH PLATING OVER NICKEL.
SS14M2G5	5 μ "GOLD PLATING OVER NICKEL.
SS14M2G10	10 μ "GOLD PLATING OVER NICKEL.
SS14M2G15	15 μ "GOLD PLATING OVER NICKEL.
SS14M2G30	30 μ "GOLD PLATING OVER NICKEL.



SECTION A-A



SECTION B-B



QUANTITY	PART NUMBER	DESCRIPTION	ITEM

MATERIALS LIST

UNLESS OTHERWISE SPECIFIED	SIGNATURES	DATE
1) All dimensions are in millimeters. 2) Tolerances are as follows: 1 PL, DEC 240.30 Fractions, 4"164 3 PL, DEC 240.08 Angles, 4"164	Flan	Jul-16-18
3) Note reference = Δ	Tommy	Jul-16-18

PROCESS SPECIFICATIONS	CUSTOMER	SIZE	TYPE	SCALE	SHEET	OF
1) TEST DRAWINGS SUPERSEDES ALL PREVIOUS TEST DRAWINGS. 2) SPECIFICATIONS AND PERFORMANCE DATA ARE THE PROPERTY OF SINE SYSTEMS, INC. NO PARTS OF THIS DOCUMENT OR REPRODUCTION THEREOF ARE TO BE REPRODUCED OR TRANSMITTED IN ANY FORM OR BY ANY MEANS, ELECTRONIC OR MECHANICAL, INCLUDING PHOTOCOPYING, RECORDING, OR BY ANY INFORMATION STORAGE AND RETRIEVAL SYSTEM. 3) Note reference = Δ	ECO-MATE SOCKET CONTACT, STAMPED, 14-16AWG, SIZE 16	B	C-	NONE	1	1

Amphenol

Sine Systems - www.amphenol-sine.com
44724 Morley Drive
Clinton Township, MI 48036

ECO-MATE SOCKET CONTACT, STAMPED, 14-16AWG, SIZE 16

SCALE: NONE
SHEET 1 OF 1