

## CMOS MINIATURE SMD VCXO (3.2 x 2.5 x 1.2mm)

### FEATURES:

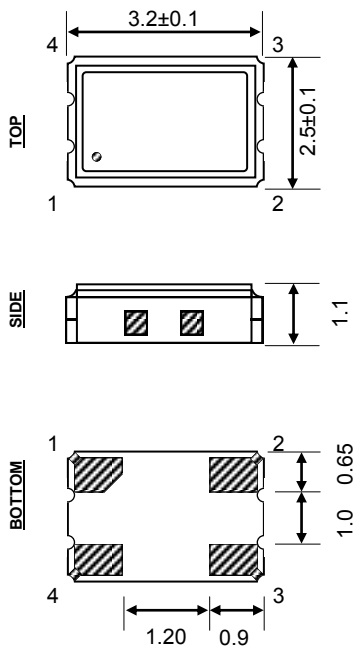
- SMALLEST PACKAGE VCXO
- WIDE FREQUENCY RANGE
- EXCELLENT HEAT RESISTANCE / HIGH STABILITY



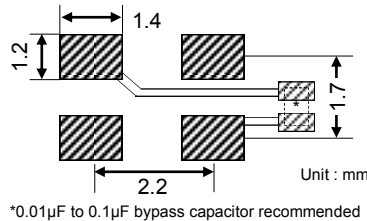
### ■ SPECIFICATION

PARAMETER	MIN.	TYP.	MAX.	UNIT	NOTE	
FREQUENCY RANGE	1.25		70	MHz		
FREQUENCY STABILITY	±10*		±100	ppm	*Available in selected operation temp.	
OPERATING TEMPERATURE RANGE	-40		85	°C	See P/N guide for other options	
STORAGE TEMPERATURE RANGE	-55		125	°C		
SUPPLY VOLTAGE ±10%	1.8		3.3	V	See P/N guide for other options	
SUPPLY CURRENT			15	mA		
OUTPUT	LOGIC FAMILY	HCMOS				
	LOAD	15pF				
	LEVEL LOGIC '1' (V <sub>OH</sub> )	0.9 x V <sub>DD</sub>		V		
	LEVEL LOGIC '0' (V <sub>OL</sub> )			0.1 x V <sub>DD</sub>		
	SYMMETRY (DUTY CYCLE)	40	50	60	%	See P/N guide for other options
	RISE AND FALL TIME (Tr/Tf)			5	nS	
	START-UP TIME			5	mS	
FREQUENCY DEVIATION	±50			ppm	See P/N guide for other options	
CONTROL VOLTAGE	0	1/2 V <sub>DD</sub>	V <sub>DD</sub>	V		
SLOPE	Positive					
LINEARITY			±15	%		
MODULATION BANDWIDTH @-3dB	10			kHz		
INPUT IMPEDANCE	100			kΩ		
AGING @ 25°C + 3°C			±3	ppm	@ for 1 <sup>st</sup> year	
PHASE JITTER RMS			1.0	pS	@ 12kHz ~ 20MHz offset	
PHASE NOISE			-120	dBc/Hz	@1kHz offset	

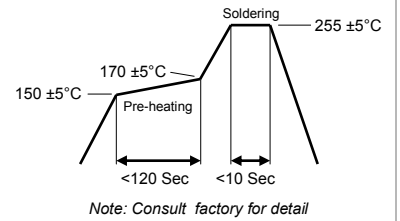
### ■ PACKAGE DIMENSIONS



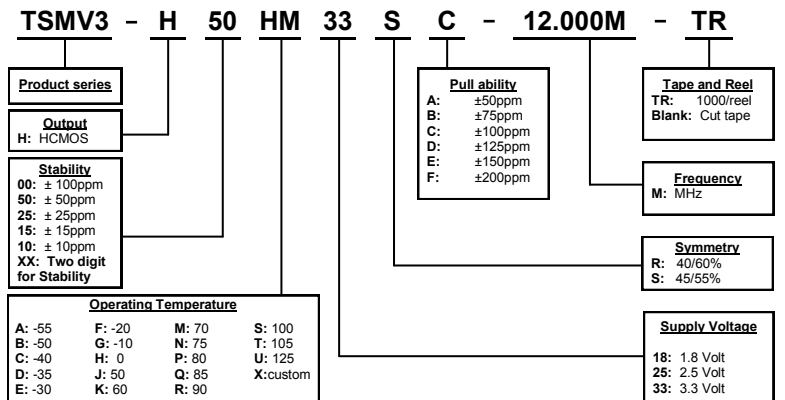
### ■ SOLDER PATTERN



### ■ REFLOW PROFILE



### ■ PART NUMBERING GUIDE



Transko Electronics, Inc reserves the right to make changes to the product (s), service (s), and specification (s) described herein without notice. See "Terms of Sale" for details on our website.