

TABLE OF CONTENTS

SHEET NO.	SHEET DESCRIPTION
1	NOTES
2	1x2 RECEPTACLE SEALED ASSEMBLY KEYING CONFIGURATIONS
3	1x3 RECEPTACLE SEALED ASSEMBLY KEYING CONFIGURATIONS
4	RECEPTACLE SEALED ASSEMBLY
5	1x2 RECEPTACLE SEALED ASSEMBLY BOM SHEET 1
6	1x3 RECEPTACLE SEALED ASSEMBLY BOM SHEET 1
7	OBSOLETE PART NUMBERS

NOTES: VALID UNLESS OTHERWISE SPECIFIED

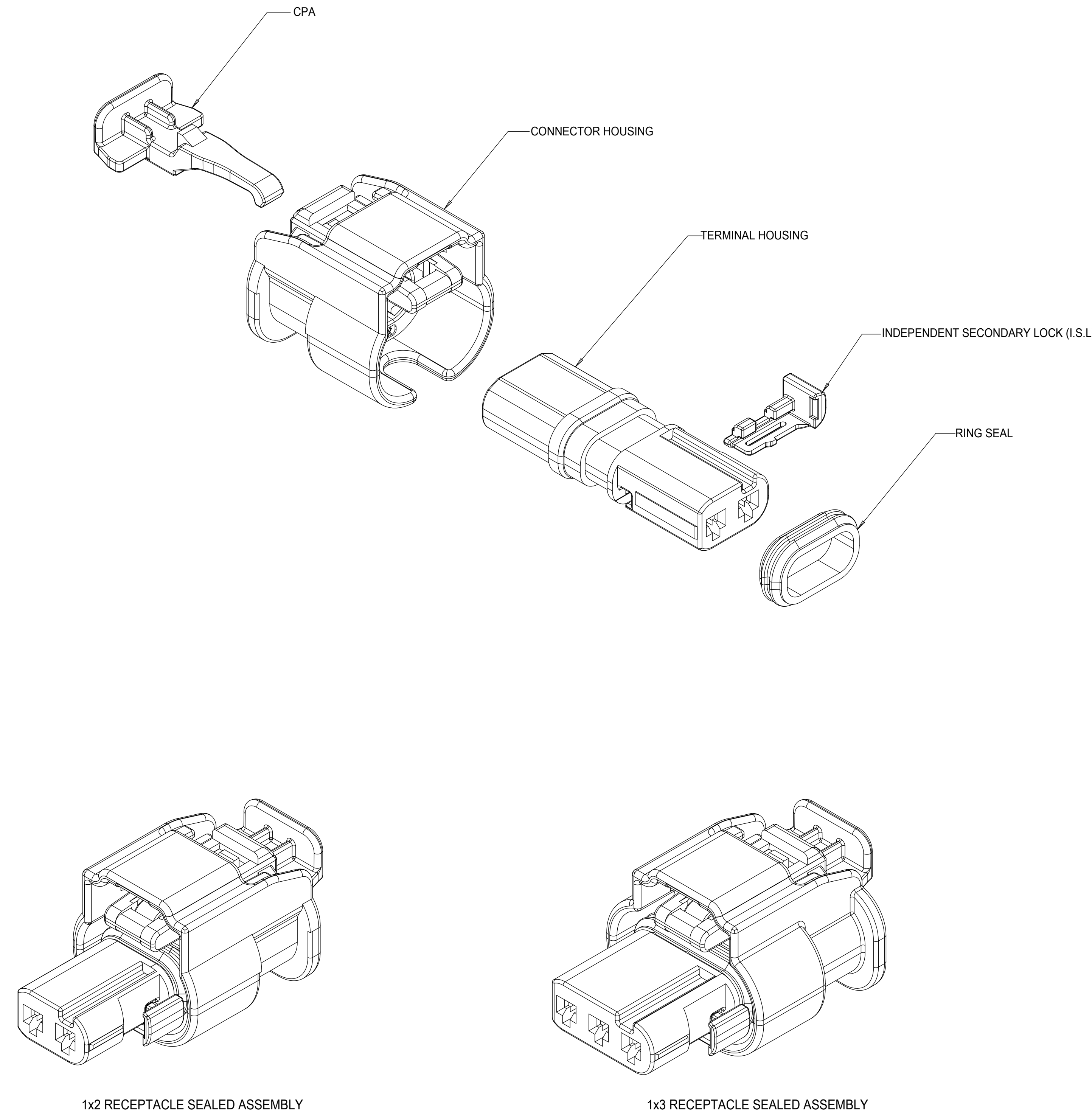
1. GENERAL:
- a. APPLICATION SPECIFICATION SEE: AS-34900-0001
CONTAINS: PRODUCT INTRODUCTION, PRODUCT SUMMARY, CONNECTOR ASSEMBLY, PACKAGING INFORMATION, CONNECTOR MATING, SERVICE INSTRUCTIONS, ELECTRICAL CONTINUITY CHECKING, CRIMPING, AND TROUBLESHOOTING.
 - b. PRODUCT SPECIFICATION SEE: PS-34900-0001
CONTAINS: PRODUCT INTRODUCTION, PRODUCT SUMMARY, RATINGS (CURRENT, TEMPERATURE, SEALING, AND FLAMMABILITY), AND PRODUCT VALIDATION.
 - c. PACKAGING SPECIFICATION PER MOLEX DRAWING: PK-31301-898
 - d. PARTS MUST BE IN COMPLIANCE TO MOLEX CHEMICAL SUBSTANCES FOR PRODUCTS AND PACKAGING SPECIFICATION: ES-40000-5016
 - e. DATA MUST BE SUBMITTED UNDER THE MOLEX PART NUMBER TO IMDS (COMPANY ID#13255)
 - f. DESIGNED TO MATE WITH DEVICE CONNECTION AS SPECIFIED IN BOM CHART
USCAR DRAWINGS AND MODELS ARE AVAILABLE AT <http://ewcap.uscarteams.org/>.

2. DESIGN - MATERIALS:

- a. SEE BOM TABLE

3. DESIGN - GEOMETRY:

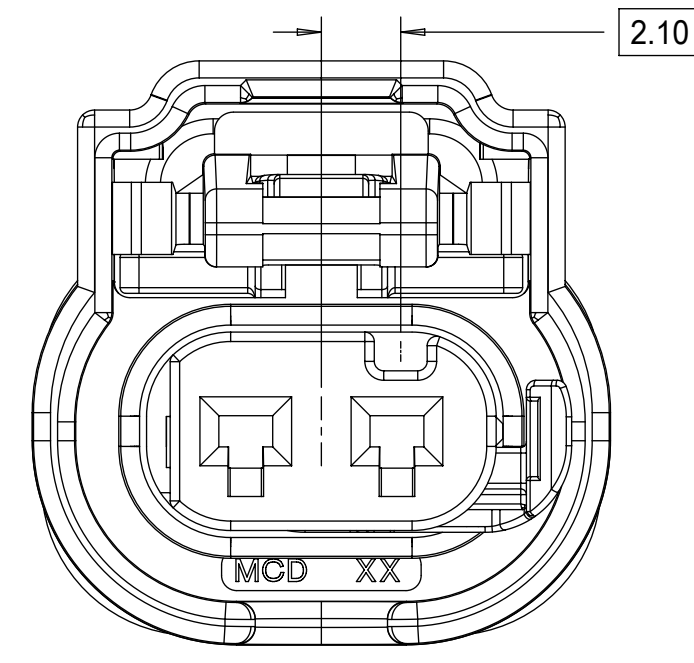
- a. THIS IS A 100% CAD GENERATED PART. THE CAD MATHEMATICAL DATA IS THE MASTER FOR THIS PART. FOR DIMENSIONAL OR ANY INFORMATION NOT SHOWN ON THIS DRAWING, ANALYZE THE CAD MODEL.
- b. GEOMETRIC DIMENSIONS AND TOLERANCES PER ASME Y14.5M - 1994
- c. EDGES AND UNDIMENSIONED DETAILS PER ISO13715
- d. CORNERS SHOWN AS SHARP TO BE R 0.2 MAX.
- e. LETTERING SHALL BE 0.15 MAX RAISED IN 0.25 MAX RECESS PAD.
THIS INCLUDES RECYCLING CODE, CAVITY ID, VENDOR IDENTIFICATION, AND CUSTOMER MATERIAL NUMBER.
- f. VISUAL DEFECTS SHALL MEET COSMETIC STANDARD PS-45499-002 (Class B)
- g. LASER MARKING:
 - 1. PART NUMBER
 - 2. DAY OF THE YEAR
 - 3. SHIFT
 - 4. YEAR



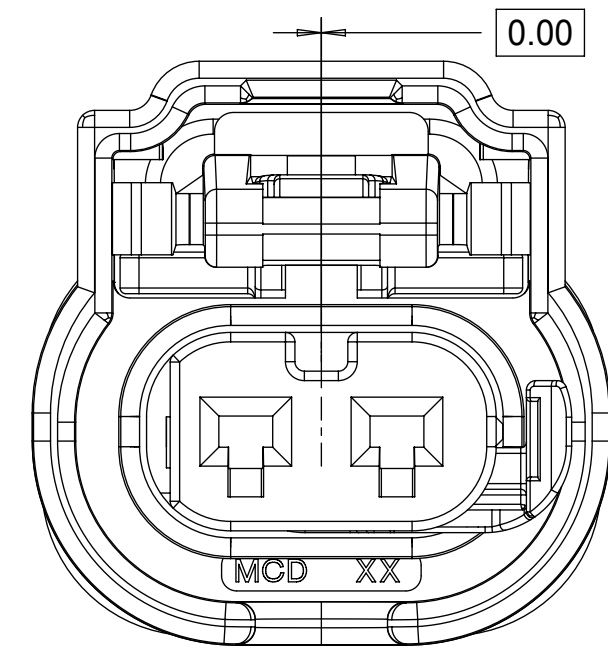
C8	UPDATED INTERFACE MODEL REFERENCES
C7	RETURNED CPA3 TO CPA2
C6	CHANGED 1X2 KEY E STATUS
C5	CHANGED CPA2 TO CPA3
C4	ADDED WIRE DRESS COVERS
C3	ADDED CPA2 PNs
C2	UPDATED STATUS OF PNs
C1	- NX-REMASTERING FROM MODEL MANAGER - 1X2 KEY C MADE SALEABLE
C	34900-3127 RELEASED AS SALEABLE
B	PRIMARY KEYS (A,B) MOVED TO SALEABLE
A10	ADDED 1X3 SEVERE VIBRATION PART NUMBER
A9	1X2 AND 1X3 PART # UPDATED DIMENSION 2 UPDATED
A8	1X2 PART # UPDATED TO "TOOLED BUT NOT VALIDATED"
A7	1X2 PART # UPDATED TO "TOOLED BUT NOT VALIDATED"
A6	ADDED NEW PART NUMBERS FOR LATCH IMPROVEMENT
A5	BOM CORRECTIONS AND UPDATES
A4	BOM CORRECTIONS AND UPDATES
A3	1x2, 1x3 NON-SIR OK TO TOOL
A2	MINOR BOM CORRECTIONS
A1	ADDED COMPONENTS TO BOM
A	ADDED BLACK PART NUMBERS AND MINOR BOM UPDATES
3	ADDED 1x3
2	MINOR BOM CORRECTIONS
1	INITIAL RELEASE
REV	DESCRIPTION

QUALITY SYMBOLS ▽ = 0 ▽ = 0 ▽ = 0 ▽ = 0 ▽ = 0 ▽ = 0 ▽ = 0 ▽ = 0	THIS DRAWING CONTAINS INFORMATION THAT IS PROPRIETARY TO MOLEX ELECTRONIC TECHNOLOGIES, LLC AND SHOULD NOT BE USED WITHOUT WRITTEN PERMISSION			
	EC NO: 645203 DRWN: GELLIOTTO1 CHKD: MVANSLAMBROU REV APPR: MVANSLAMBROU	2020/09/15 2020/09/15 2020/09/15	GENERAL TOLERANCES (UNLESS SPECIFIED) ANGULAR TOL ± ° 4 PLACES ± 3 PLACES ± 2 PLACES ± 0.1 1 PLACE ± 0.2 0 PLACES ± 0.5 DRAFT WHERE APPLICABLE MUST REMAIN WITHIN DIMENSIONS	DIMENSION UNITS: mm SCALE: 4:1 DRWN BY: MVANSLAMBROU DATE: 2012/02/15 CHKD BY: GGA DATE: 2013/11/06 APPR BY: GGA DATE: 2012/12/13 DRAWING SIZE: D THIRD ANGLE PROJECTION
	molex® 1.2MM 1X2, 1X3 RECPT. SEALED ASSEMBLY CABLE SEAL 621905: ADDED CPA2 PNs, RE-ADDED PNs USING TERMINAL H		PRODUCT CUSTOMER DRAWING SERIES: 34900 MATERIAL NUMBER: SEE TABLE CUSTOMER: GENERAL MARKET	
	RELEASE STATUS: P1 RELEASE DATE: 2020/09/15 14:05:25		DOCUMENT NUMBER: SD-34900-2001 DOC TYPE: PSD DOC PART: 001 SHEET NUMBER: 1 OF 7	

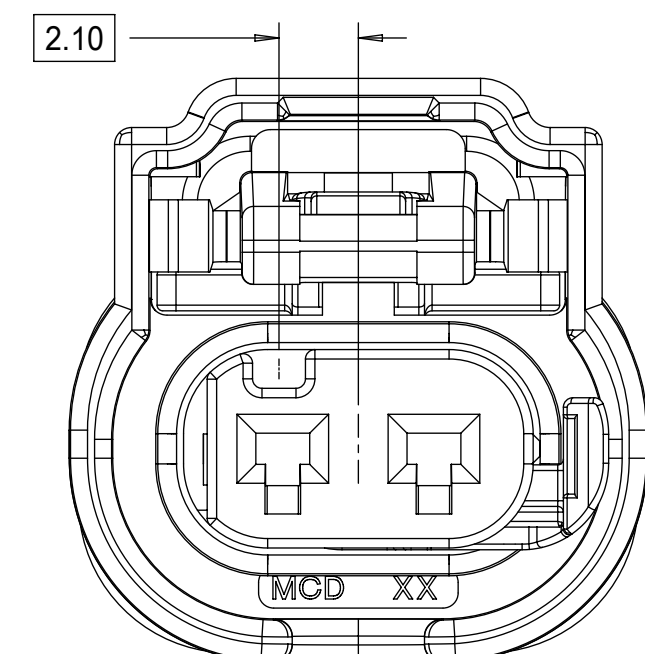
1x2 RECEPTACLE SEALED ASSEMBLY KEYING CONFIGURATIONS. FOR PART NUMBERS REFER TO BOM SHEET.



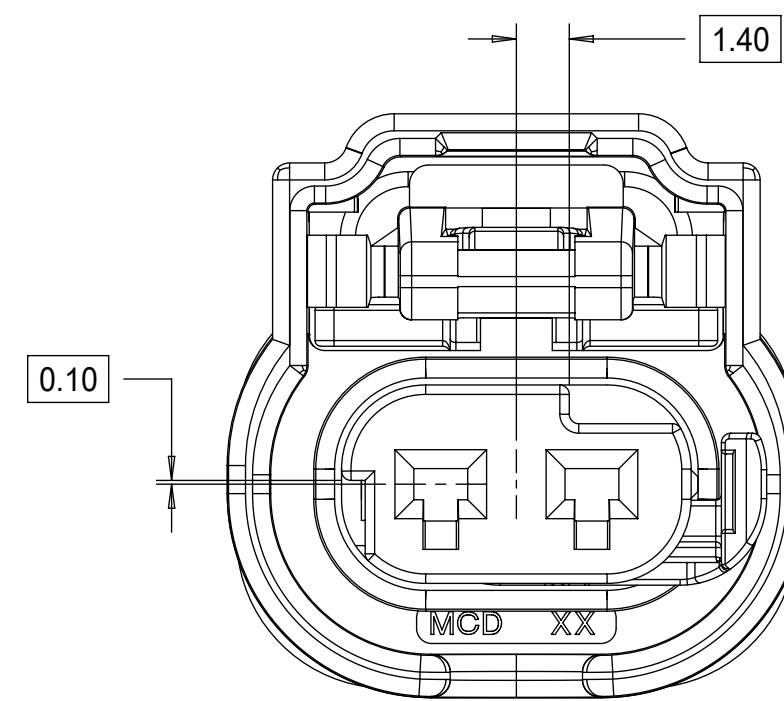
KEYING OPTION A



KEYING OPTION B



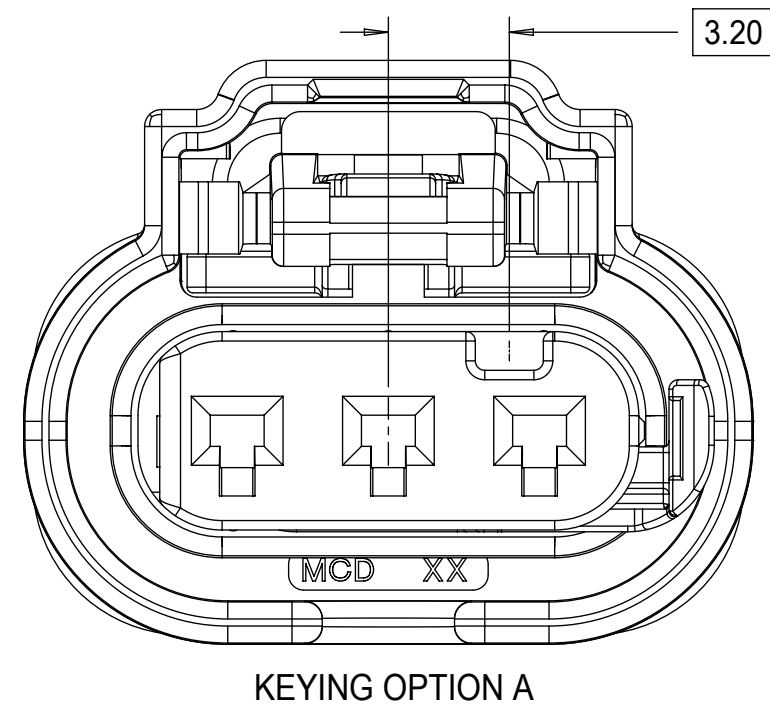
KEYING OPTION C



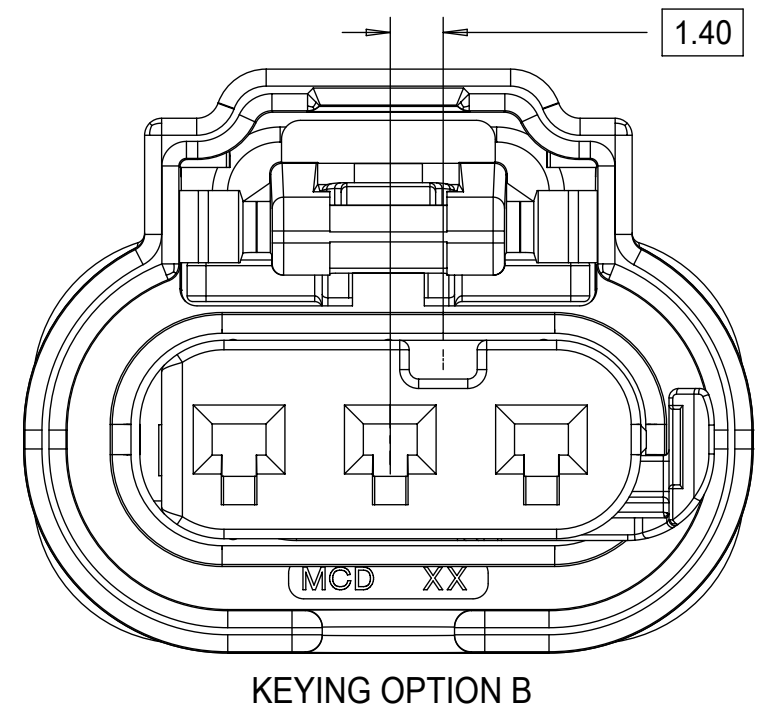
KEYING OPTION E

THIS DRAWING CONTAINS INFORMATION THAT IS PROPRIETARY TO MOLEX ELECTRONIC TECHNOLOGIES, LLC AND SHOULD NOT BE USED WITHOUT WRITTEN PERMISSION									
QUALITY SYMBOLS ▽ = 0 ▽ = 0 ▽ = 0 ▽ = 0 ▽ = 0 ▽ = 0 ▽ = 0 ▽ = 0 ▽ = 0 ▽ = 0	EC NO: 645203 DRWN: GELLIOTTO1 CHKD: MVANSLAMBROU REV: APPR: MVANSLAMBROU	2020/09/11 2020/09/15 2020/09/15	GENERAL TOLERANCES (UNLESS SPECIFIED) ANGULAR TOL ± ° 4 PLACES ± 3 PLACES ± 2 PLACES ± 0.1 1 PLACE ± 0.2 0 PLACES ± 0.5 DRAFT WHERE APPLICABLE MUST REMAIN WITHIN DIMENSIONS	DIMENSION UNITS mm	SCALE 5:1	DRWN BY MVANSLAMBROU		DATE 2012/02/15	
	CHKD BY MVANSLAMBROU		DATE 2013/11/06		APPR BY GGA		DATE 2012/12/13		DRAWING SIZE D
DRWG SIZE D		THIRD ANGLE PROJECTION		SERIES 34900		MATERIAL NUMBER SEE BOM		CUSTOMER GENERAL MARKET	
DOCUMENT NUMBER SD-34900-2001		DOC TYPE PSD		DOC PART 001		SHEET NUMBER 2 OF 7			

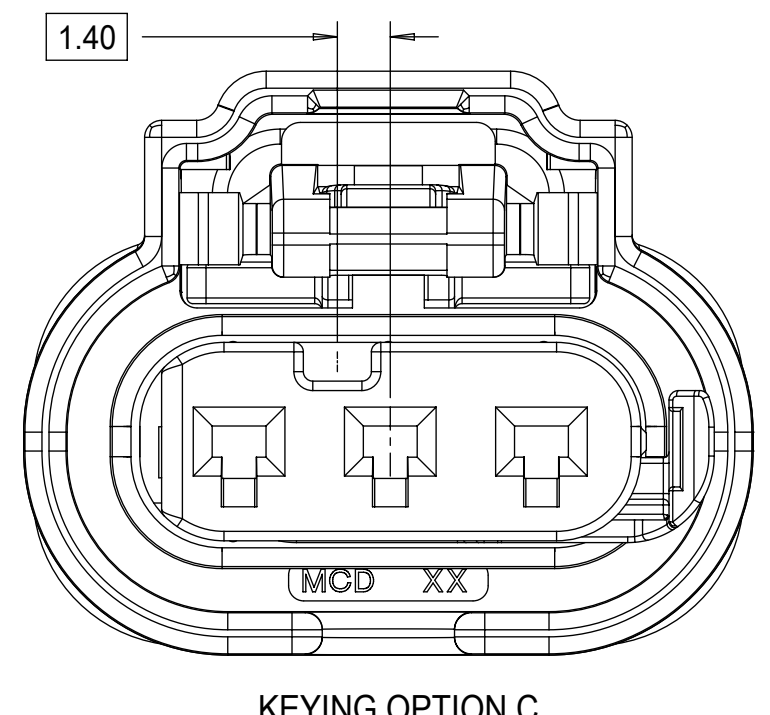
1x3 RECEPTACLE SEALED ASSEMBLY KEYING CONFIGURATIONS. FOR PART NUMBERS REFER TO BOM SHEET.



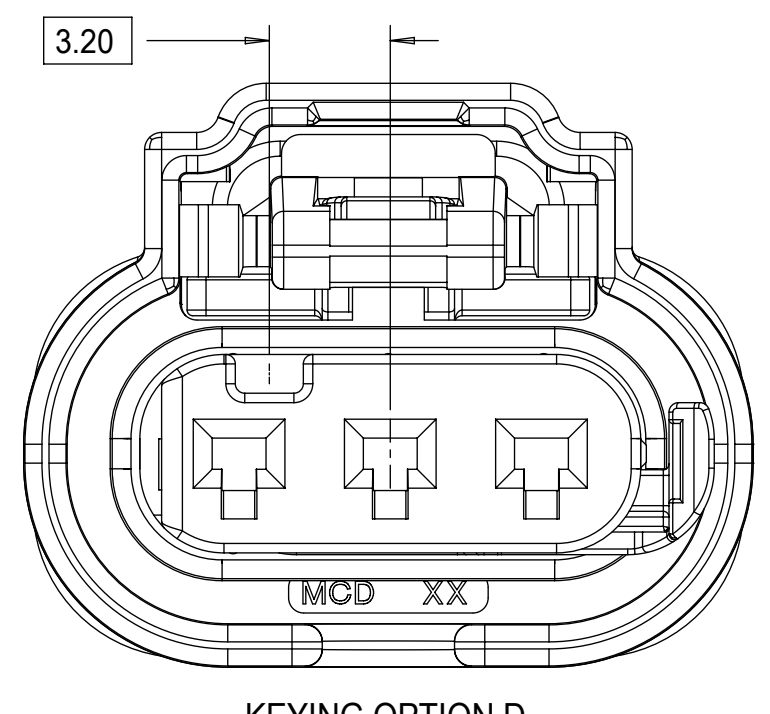
KEYING OPTION A



KEYING OPTION B

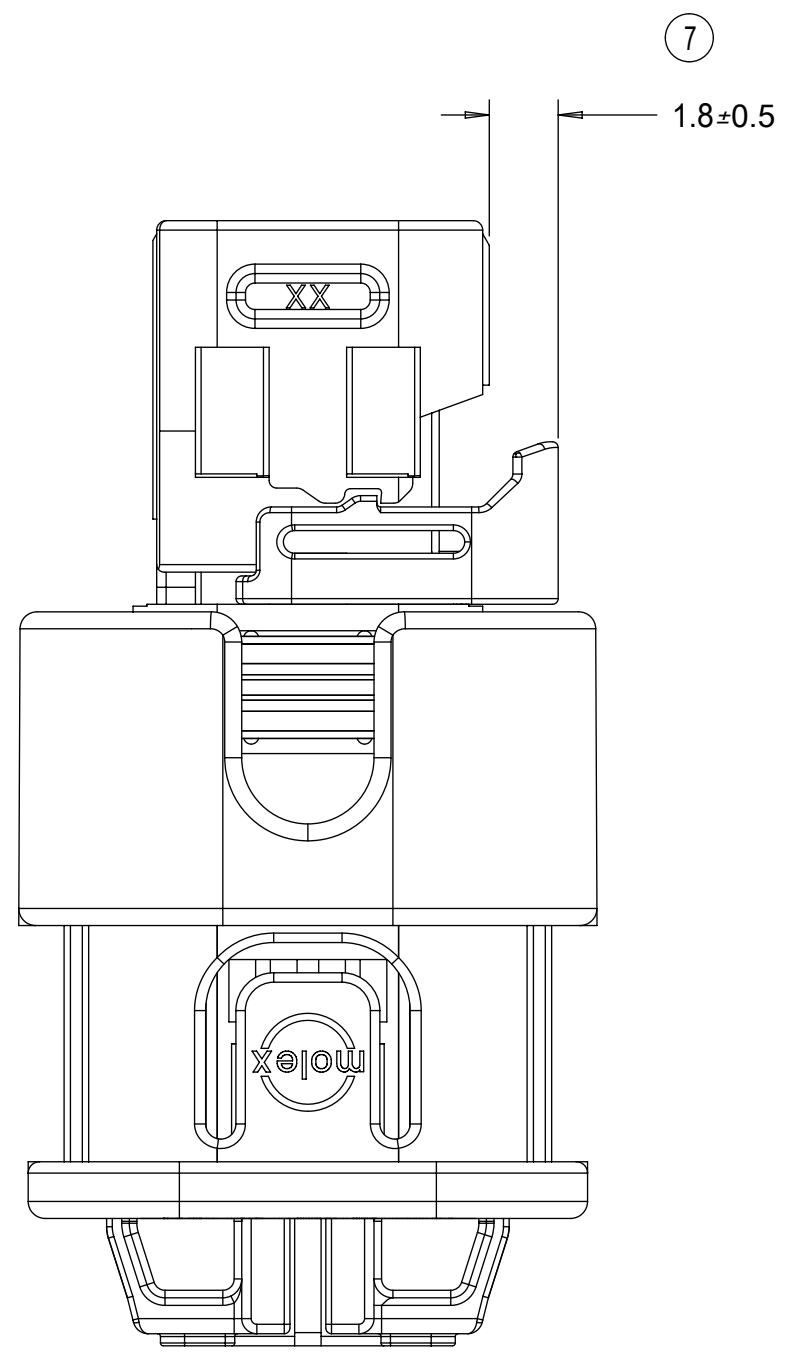
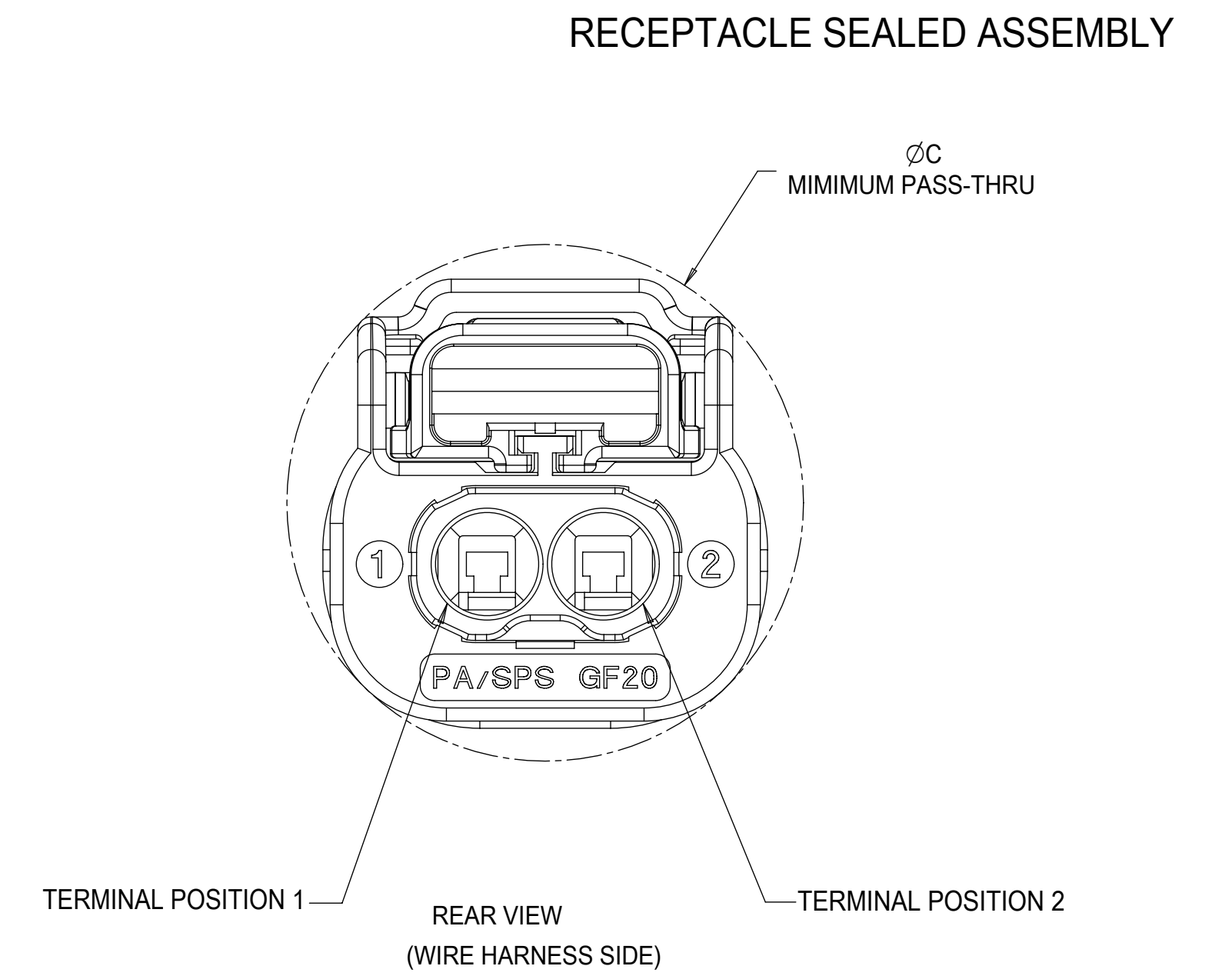
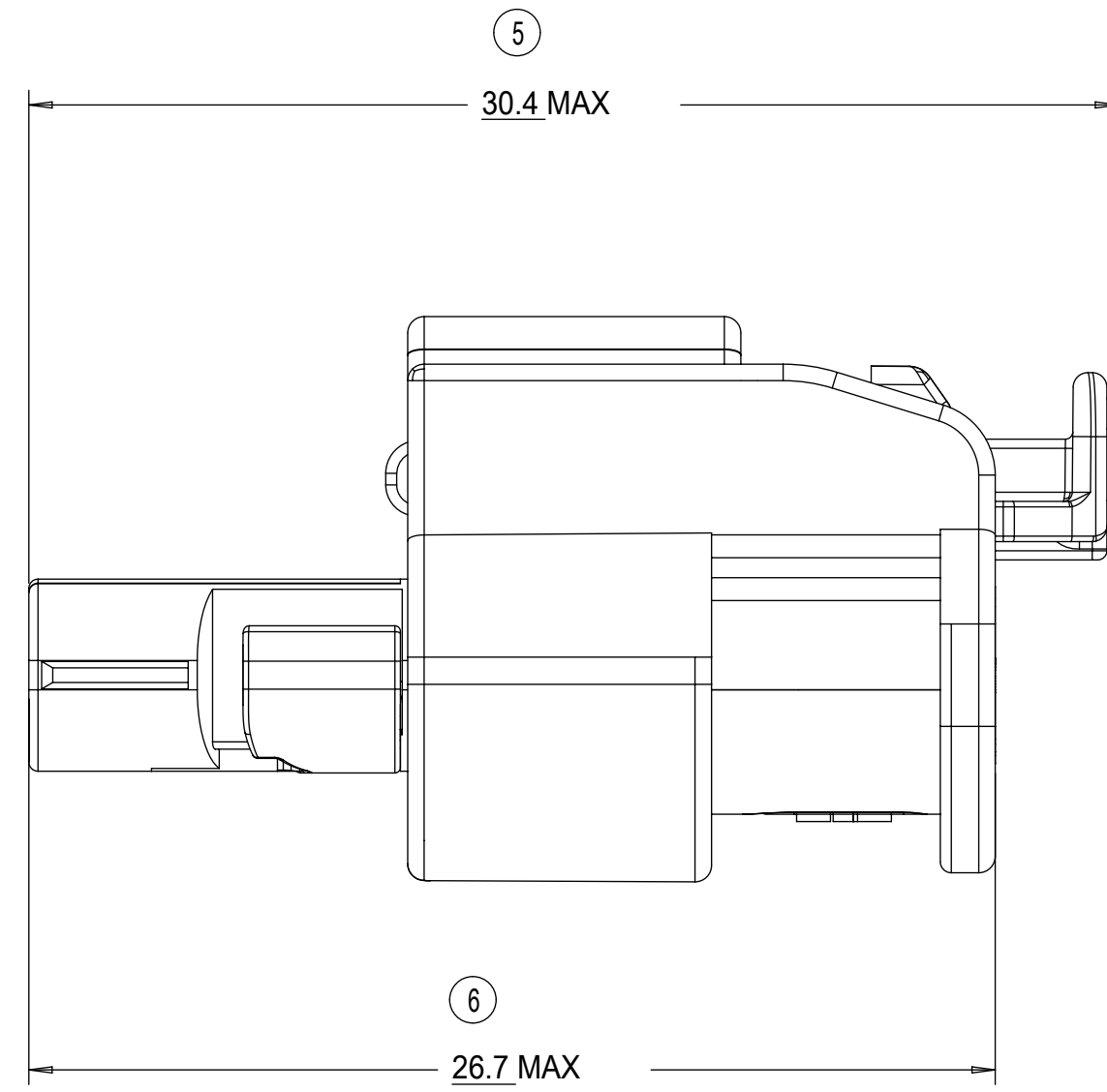
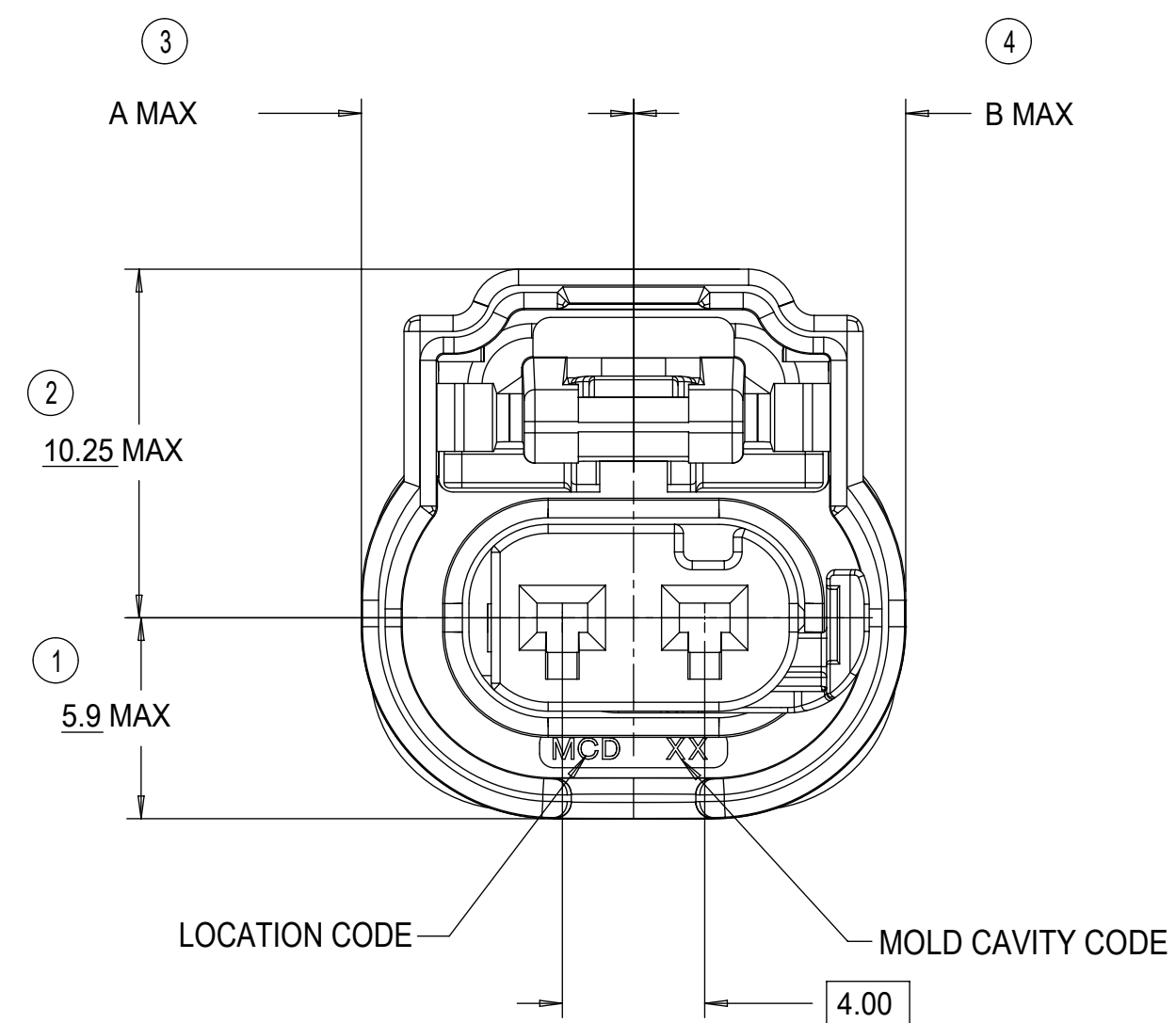
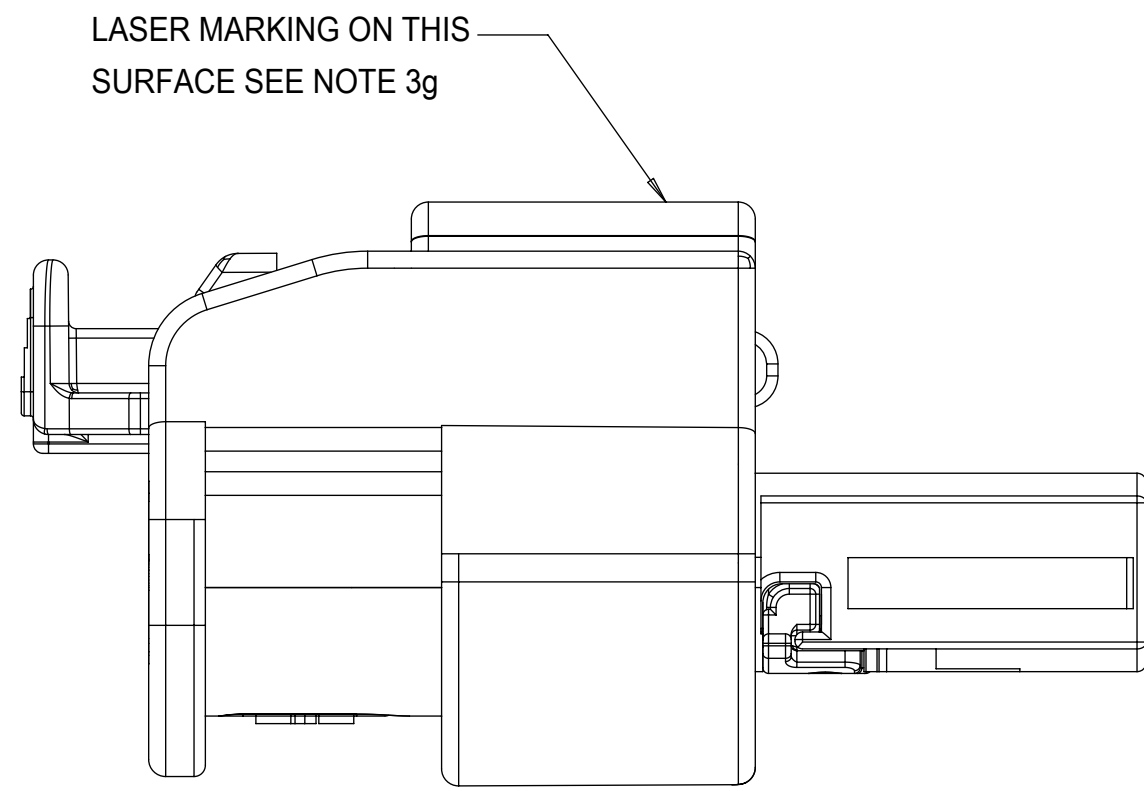


KEYING OPTION C

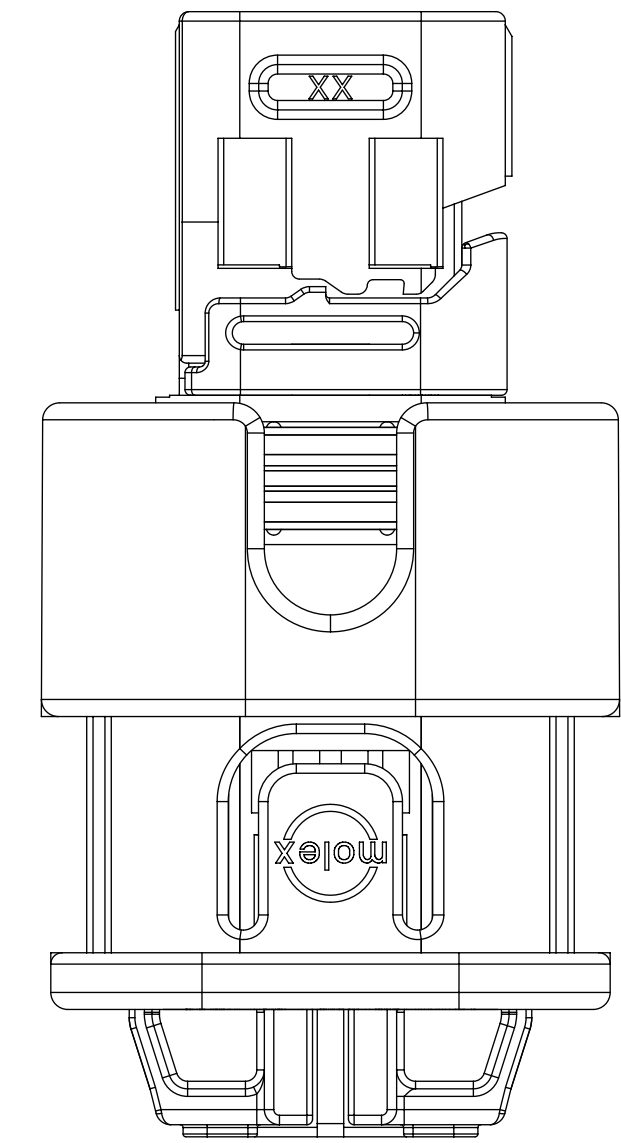


KEYING OPTION D

THIS DRAWING CONTAINS INFORMATION THAT IS PROPRIETARY TO MOLEX ELECTRONIC TECHNOLOGIES, LLC AND SHOULD NOT BE USED WITHOUT WRITTEN PERMISSION											
QUALITY SYMBOLS 	2020/09/11	GENERAL TOLERANCES (UNLESS SPECIFIED)		DIMENSION UNITS	SCALE	 1.2MM 1X2, 1X3 RECPT. SEALED ASSEMBLY CABLE SEAL 621905: ADDED CPA2 PNS, RE-ADDED PNS USING TERMINAL H					
	DRWN BY: MVANSLAMBROU	2020/09/15	4 PLACES ±	mm	5:1						
	CHKD: MVANSLAMBROU	2020/09/15	3 PLACES ±	ANGULAR TOL ± °	DRWN BY DATE	MVANSLAMBROU 2012/02/15					
	REV: MVANSLAMBROU	2020/09/15	2 PLACES ± 0.1	0 PLACES ± 0.5	CHKD BY DATE	2013/11/06					
	EC NO: 645203		1 PLACE ± 0.2	DRAFT WHERE APPLICABLE MUST REMAIN WITHIN DIMENSIONS	APPR BY DATE	GGA 2012/12/13					
	DRWN: GELLIOTTO1		0 PLACES ± 0.5		DRAWING SIZE	THIRD ANGLE PROJECTION					
					D						
EC NO: 645203 DRWN: GELLIOTTO1 CHKD: MVANSLAMBROU REV: MVANSLAMBROU		DIMENSION UNITS: mm SCALE: 5:1 ANGULAR TOL ± ° 4 PLACES ± 3 PLACES ± 2 PLACES ± 0.1 1 PLACE ± 0.2 0 PLACES ± 0.5 DRAFT WHERE APPLICABLE MUST REMAIN WITHIN DIMENSIONS		DRWN BY: MVANSLAMBROU DATE: 2012/02/15 CHKD BY: GGA DATE: 2013/11/06 APPR BY: GGA DATE: 2012/12/13		SERIES: 34900 MATERIAL NUMBER: SEE BOM CUSTOMER: GENERAL MARKET		DOCUMENT NUMBER: SD-34900-2001 DOC TYPE: PSD DOC PART: 001 SHEET NUMBER: 3 OF 7			



INDEPENDENT SECONDARY LOCK (ISL)
SHOWN IN THE PRE-STAGED POSITION



INDEPENDENT SECONDARY LOCK (ISL)
SHOWN IN THE FINAL-LOCK POSITION

1x3 RECEPTACLE SEALED ASSEMBLY	10.0	10.0	20.75
1x2 RECEPTACLE SEALED ASSEMBLY	8.0	8.0	18.75
CONFIGURATION	A	B	C

CHARTED DIMENSIONS

QUALITY SYMBOLS 	THIS DRAWING CONTAINS INFORMATION THAT IS PROPRIETARY TO MOLEX ELECTRONIC TECHNOLOGIES, LLC AND SHOULD NOT BE USED WITHOUT WRITTEN PERMISSION				
	EC NO: 645203 DRWN: GELIOTT01 CHKD: MVANSLAMBROU REV: APPR: MVANSLAMBROU	2020/09/11 2020/09/15 2020/09/15	GENERAL TOLERANCES (UNLESS SPECIFIED) ANGULAR TOL ± ° 4 PLACES ± 3 PLACES ± 2 PLACES ± 0.1 1 PLACE ± 0.2 0 PLACES ± 0.5 DRAFT WHERE APPLICABLE MUST REMAIN WITHIN DIMENSIONS	DIMENSION UNITS: mm SCALE: 5:1 DRWN BY: MVANSLAMBROU DATE: 2012/02/15 CHKD BY: GGA DATE: 2013/11/06 APPR BY: GGA DATE: 2012/12/13 DRAWING SIZE: D THIRD ANGLE PROJECTION	 1.2MM 1X2, 1X3 RECPT. SEALED ASSEMBLY CABLE SEAL 621905: ADDED CPA2 PNS, RE-ADDED PNS USING TERMINAL H PRODUCT CUSTOMER DRAWING
	SERIES: 34900 MATERIAL NUMBER: SEE BOM CUSTOMER: GENERAL MARKET	DOCUMENT NUMBER: SD-34900-2001 DOC TYPE: PSD DOC PART: 001 SHEET NUMBER: 4 OF 7			
	C8				

1X2 RECEPTACLE SEALED ASSEMBLY BOM SHEET 1

KEYING OPTION E, BLACK	34900-2223	-40 TO 155	4	SHORT					CHB			E	CPA2	TOOLED BUT NOT VALIDATED		1	2	3	
KEYING OPTION C, BLACK	34900-2222	-40 TO 155	4	SHORT					CHB			C	CPA2	TOOLED BUT NOT VALIDATED		1	2	3	
KEYING OPTION B, BLACK	34900-2221	-40 TO 155	4	SHORT					CHB	B			CPA2	TOOLED BUT NOT VALIDATED		1	2	3	
KEYING OPTION A, BLACK	34900-2220	-40 TO 155	4	SHORT					CHB	A			CPA2	TOOLED BUT NOT VALIDATED		1	2	3	
KEYING OPTION E, YELLOW	34900-2204	-40 TO 125	2	SHORT					CHY			E	CPA2	TOOLED BUT NOT VALIDATED		1	2	3	
KEYING OPTION C, YELLOW	34900-2203	-40 TO 125	2	SHORT					CHY			C	CPA2	TOOLED BUT NOT VALIDATED		1	2	3	
KEYING OPTION B, YELLOW	34900-2202	-40 TO 125	2	SHORT					CHY	B			CPA2	TOOLED BUT NOT VALIDATED		1	2	3	
KEYING OPTION A, YELLOW	34900-2201	-40 TO 125	2	SHORT					CHY	A			CPA2	TOOLED BUT NOT VALIDATED		1	2	3	
KEYING OPTION E, BLACK	34900-2123	-40 TO 155	4	SHORT					CHB			E	CPA1	NOT RECOMMENDED	ALT. KEY SUGGESTED	1	2	3	
KEYING OPTION C, BLACK	34900-2122	-40 TO 155	4	SHORT					CHB			C	CPA1	SALEABLE		1	2	3	
KEYING OPTION B, BLACK	34900-2121	-40 TO 155	4	SHORT					CHB	B			CPA1	SALEABLE		1	2	3	
KEYING OPTION A, BLACK	34900-2120	-40 TO 155	4	SHORT					CHB	A			CPA1	SALEABLE		1	2	3	
KEYING OPTION E, YELLOW	34900-2104	-40 TO 125	2	SHORT					CHY			E	CPA1	NOT RECOMMENDED	ALT. KEY SUGGESTED	1	2	3	
KEYING OPTION C, YELLOW	34900-2103	-40 TO 125	2	SHORT					CHY			C	CPA1	SALEABLE		1	2	3	
KEYING OPTION B, YELLOW	34900-2102	-40 TO 125	2	SHORT					CHY	B			CPA1	SALEABLE		1	2	3	
KEYING OPTION A, YELLOW	34900-2101	-40 TO 125	2	SHORT					CHY	A			CPA1	SALEABLE		1	2	3	
KEYING OPTION B, YELLOW	34900-2002	-40 TO 125	2	SHORT	CHY					B			CPA1	SALEABLE		1	2	3	
KEYING OPTION A, YELLOW	34900-2001	-40 TO 125	2	SHORT	CHY					A			CPA1	SALEABLE		1	2	3	
ASSEMBLY DESCRIPTION	PART NUMBER	OPERATING TEMPERATURE	VIBRATION CLASS PER GMW3191 DEC. 2007	OUTER HOUSING SHROUD LENGTH					A	B	C	E	CPA1	CPA3	STATUS	COMMENTS	DESIGNED TO MATE WITH DEVICE CONNECTION		

	RING SEAL	BURNT RED	INHERENTLY LUBRICATED SILICONE	
	ISL	NATURAL	SPS/NYLON GF20	
	CPA2	RED	PBT GF30	
	CPA1	RED	PBT GF30	
	TERMINAL HOUSING KEYING OPTION E	STONE GRAY	SPS/NYLON GF20	ALT. KEY SUGGESTED
	TERMINAL HOUSING KEYING OPTION C	DARK GRAY	SPS/NYLON GF20	
	TERMINAL HOUSING KEYING OPTION B	LT. GRAY	SPS/NYLON GF20	
	TERMINAL HOUSING KEYING OPTION A	BLACK	SPS/NYLON GF20	
	CONNECTOR HOUSING	BLACK	SPS/NYLON GF20	UPDATED LATCH
	CONNECTOR HOUSING	YELLOW	SPS/NYLON GF20	UPDATED LATCH
	CONNECTOR HOUSING	BLACK	SPS/NYLON GF20	
	CONNECTOR HOUSING	YELLOW	SPS/NYLON GF20	
	WIRE DRESS COVER STRAIGHT	BLACK	PA66	SOLD SEPARATELY SEE SD-160091-0001
	WIRE DRESS COVER RIGHT	BLACK	PA66	
	WIRE DRESS COVER LEFT	BLACK	PA66	
	DESCRIPTION	COLOR	MATERIAL	COMMENTS

BOM / APPLICABLE COMPONENTS TABLE

ABBREVIATION	COMPONENT
CHY	CONNECTOR HOUSING YELLOW
CHB	CONNECTOR HOUSING BLACK
A	TERMINAL HOUSING KEY A
B	TERMINAL HOUSING KEY B
C	TERMINAL HOUSING KEY C
E	TERMINAL HOUSING KEY E
CPA1	CPA VERSION 1
CPA2	CPA VERSION 2
ISL	ISL
R	RING SEAL
1	USCAR INTERFACE 120-S-002-1-Z01 SEE NOTE 1f FOR WEBSITE
2	MOLEX INLINE BLADE CONNECTOR E-34899-2001
3	USCAR INTERFACE 120-S-002-1-Z02 SEE NOTE 1f FOR WEBSITE

THIS DRAWING CONTAINS INFORMATION THAT IS PROPRIETARY TO MOLEX ELECTRONIC TECHNOLOGIES, LLC AND SHOULD NOT BE USED WITHOUT WRITTEN PERMISSION											
QUALITY SYMBOLS	DRWN: GELLIOTTO1	CHKD: MVANSLAMBROU	APPR: MVANSLAMBROU	GENERAL TOLERANCES (UNLESS SPECIFIED)	DIMENSION UNITS	SCALE	molex 1.2MM 1X2, 1X3 RECPT. SEALED ASSEMBLY CABLE SEAL 621905: ADDED CPA2 PNS, RE-ADDED PNS USING TERMINAL H			PRODUCT CUSTOMER DRAWING	
	2020/09/15	2020/09/15	2020/09/15	ANGULAR TOL ± °	mm	2:1					
				4 PLACES ±	DRWN BY	DATE	SERIES: 34900 MATERIAL NUMBER: 9999999999 CUSTOMER: GENERAL MARKET			DOCUMENT NUMBER: SD-34900-2001 DOC TYPE: PSD DOC PART: 001 SHEET NUMBER: 5 OF 7	
				3 PLACES ±	CHKD BY	DATE					
				2 PLACES ± 0.1	APPR BY	DATE	DRAFT WHERE APPLICABLE MUST REMAIN WITHIN DIMENSIONS				
				1 PLACE ± 0.2	GGA	2012/12/13					
				0 PLACES ± 0.5	DRAWING SIZE	THIRD ANGLE PROJECTION	D				

KEYING OPTION D, STONE GRAY	34900-3223	-40 TO 125	2	SHORT	CHB				D			CPA2	TOOLED BUT NOT VALIDATED	1	2	3
KEYING OPTION C, DARK GRAY	34900-3222	-40 TO 125	2	SHORT	CHB				C			CPA2	TOOLED BUT NOT VALIDATED	1	2	3
KEYING OPTION B, LIGHT GRAY	34900-3221	-40 TO 125	2	SHORT	CHB		B					CPA2	TOOLED BUT NOT VALIDATED	1	2	3
KEYING OPTION A, BLACK	34900-3220	-40 TO 125	2	SHORT	CHB	A						CPA2	TOOLED BUT NOT VALIDATED	1	2	3
KEYING OPTION D, YELLOW	34900-3204	-40 TO 125	2	SHORT	CHY				D			CPA2	TOOLED BUT NOT VALIDATED	1	2	3
KEYING OPTION C, YELLOW	34900-3203	-40 TO 125	2	SHORT	CHY				C			CPA2	TOOLED BUT NOT VALIDATED	1	2	3
KEYING OPTION B, YELLOW	34900-3202	-40 TO 125	2	SHORT	CHY		B					CPA2	TOOLED BUT NOT VALIDATED	1	2	3
KEYING OPTION A, YELLOW	34900-3201	-40 TO 125	2	SHORT	CHY	A						CPA2	TOOLED BUT NOT VALIDATED	1	2	3
KEYING OPTION D, STONE GRAY	34900-3127	-40 TO 125	CONTACT MOLEX FOR INFO	SHORT	CHB					D	CPA1	SALEABLE	RESTRICTED	1	2	3
KEYING OPTION A, BLACK	34900-3124	-40 TO 125	CONTACT MOLEX FOR INFO	SHORT	CHB					A	CPA1	SALEABLE	RESTRICTED	1	2	3
KEYING OPTION D, STONE GRAY	34900-3123	-40 TO 125	2	SHORT	CHB				D		CPA1	TOOLED BUT NOT VALIDATED		1	2	3
KEYING OPTION C, DARK GRAY	34900-3122	-40 TO 125	2	SHORT	CHB				C		CPA1	TOOLED BUT NOT VALIDATED		1	2	3
KEYING OPTION B, LIGHT GRAY	34900-3121	-40 TO 125	2	SHORT	CHB		B				CPA1	SALEABLE		1	2	3
KEYING OPTION A, BLACK	34900-3120	-40 TO 125	2	SHORT	CHB	A					CPA1	SALEABLE		1	2	3
KEYING OPTION D, YELLOW	34900-3104	-40 TO 125	2	SHORT	CHY				D		CPA1	TOOLED BUT NOT VALIDATED		1	2	3
KEYING OPTION C, YELLOW	34900-3103	-40 TO 125	2	SHORT	CHY				C		CPA1	TOOLED BUT NOT VALIDATED		1	2	3
KEYING OPTION B, YELLOW	34900-3102	-40 TO 125	2	SHORT	CHY		B				CPA1	SALEABLE		1	2	3
KEYING OPTION A, YELLOW	34900-3101	-40 TO 125	2	SHORT	CHY	A					CPA1	SALEABLE		1	2	3
ASSEMBLY DESCRIPTION	PART NUMBER	OPERATING TEMPERATURE	VIBRATION CLASS PER GMW3191 DEC. 2007	OUTER HOUSING SHROUD LENGTH		A	B	C	D	A	D	CPA1	CPA3	STATUS	COMMENTS	DESIGNED TO MATE WITH DEVICE CONNECTION

1X3 RECEPACLE SEALED ASSEMBLY BOM SHEET 1

RING SEAL	LIGHT BLUE	INHERENTLY LUBRICATED SILICONE	
ISL	NATURAL	SPS/NYLON GF20	
CPA2	RED	PBT GF30	
CPA1	RED	PBT GF30	
TERMINAL HOUSING KEYING OPTION D, Alt.	STONE GRAY	SPS/NYLON GF20	RESTRICTED
TERMINAL HOUSING KEYING OPTION A, Alt.	BLACK	SPS/NYLON GF20	RESTRICTED
TERMINAL HOUSING KEYING OPTION D	STONE GRAY	SPS/NYLON GF20	
TERMINAL HOUSING KEYING OPTION C	DARK GRAY	SPS/NYLON GF20	
TERMINAL HOUSING KEYING OPTION B	LT. GRAY	SPS/NYLON GF20	
TERMINAL HOUSING KEYING OPTION A	BLACK	SPS/NYLON GF20	
CONNECTOR HOUSING	BLACK	SPS/NYLON GF20	UPDATED LATCH
CONNECTOR HOUSING	YELLOW	SPS/NYLON GF20	UPDATED LATCH
CONNECTOR HOUSING	BLACK	SPS/NYLON GF20	
CONNECTOR HOUSING	YELLOW	SPS/NYLON GF20	
WIRE DRESS COVER STRAIGHT	BLACK	PA66	SOLD SEPARATELY SEE SD-160091-0001
WIRE DRESS COVER RIGHT	BLACK	PA66	
WIRE DRESS COVER LEFT	BLACK	PA66	
DESCRIPTION	COLOR	MATERIAL	COMMENTS

BOM / APPLICABLE COMPONENTS TABLE

ABREVIATION	COMPONENT
CHY	CONNECTOR HOUSING YELLOW
CHB	CONNECTOR HOUSING BLACK
A	TERMINAL HOUSING KEY A
B	TERMINAL HOUSING KEY B
C	TERMINAL HOUSING KEY C
D	TERMINAL HOUSING KEY D
CPA1	CPA VERSION 1
CPA2	CPA VERSION 2
ISL	ISL
R	RING SEAL
1	USCAR INTERFACE 120-S-003-1-Z01 SEE NOTE 1f FOR WEBSITE
2	MOLEX INLINE BLADE CONNECTOR E-34899-2001
3	USCAR INTERFACE 120-S-003-1-Z02 SEE NOTE 1f FOR WEBSITE

QUALITY SYMBOLS	THIS DRAWING CONTAINS INFORMATION THAT IS PROPRIETARY TO MOLEX ELECTRONIC TECHNOLOGIES, LLC AND SHOULD NOT BE USED WITHOUT WRITTEN PERMISSION			
	2020/09/11 DRWN: GELLIOTTO1	2020/09/15 CHKD: MVANSLAMBROU	2020/09/15 REV APPR: MVANSLAMBROU	GENERAL TOLERANCES (UNLESS SPECIFIED)
				DIMENSION UNITS: mm
				SCALE: 5:1
				DRWN BY: MVANSLAMBROU
				DATE: 2012/02/15
				CHKD BY: GGA
				DATE: 2013/11/06
				APPR BY: GGA
				DATE: 2012/12/13
				DRAWING SIZE: D
				THIRD ANGLE PROJECTION
				SERIES: 34900
				MATERIAL NUMBER: 9999999999
				CUSTOMER: GENERAL MARKET
				DOCUMENT NUMBER: SD-34900-2001
				DOC TYPE: PSD
				DOC PART: 001
				SHEET NUMBER: 6 OF 7

OBSOLETE PART NUMBERS

34900-2023	OBSOLETE
34900-2022	OBSOLETE
34900-2021	OBSOLETE
34900-2020	OBSOLETE
34900-2004	OBSOLETE
34900-2003	OBSOLETE
ASSEMBLY PART NUMBERS	STATUS

1X2

34900-3023	OBSOLETE
34900-3022	OBSOLETE
34900-3021	OBSOLETE
34900-3020	OBSOLETE
34900-3004	OBSOLETE
34900-3003	OBSOLETE
34900-3002	OBSOLETE
34900-3001	OBSOLETE
ASSEMBLY PART NUMBERS	STATUS

1X3

THIS DRAWING CONTAINS INFORMATION THAT IS PROPRIETARY TO MOLEX ELECTRONIC TECHNOLOGIES, LLC AND SHOULD NOT BE USED WITHOUT WRITTEN PERMISSION															
DIMENSION UNITS		SCALE		Material:				molex							
mm		1:1		Heat treat:											
GENERAL TOLERANCES (UNLESS SPECIFIED)				Finish:				1.2MM 1X2, 1X3 RECPT. SEALED ASSEMBLY CABLE SEAL 621905: ADDED CPA2 PNS, RE-ADDED PNS USING TERMINAL H							
ANGULAR TOL ± °				CURRENT REV DESC:											
4 PLACES		±		EC NO: 645203 DRWN: GELLIOTT01 2020/09/11 CHK'D: MVANSLAMBROU 2020/09/15 APPR: MVANSLAMBROU 2020/09/15 ORIG DRWN BY: MVANSLAMBROU 2012/02/15				PRODUCT CUSTOMER DRAWING							
3 PLACES		±						DOCUMENT NUMBER				SD-34900-2001			
2 PLACES		± 0.1						DOC TYPE				PSD			
1 PLACE		± 0.2						DOC PART				001			
0 PLACES		± 0.5						REVISION				C8			
TOOL NUMBER		THIRD ANGLE PROJECTION		DRAWING		SERIES		MATERIAL NUMBER		CUSTOMER					
				D-SIZE		34900		GENERAL MARKET		SHEET NUMBER					
										7 OF 7					