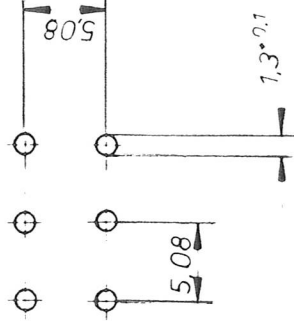
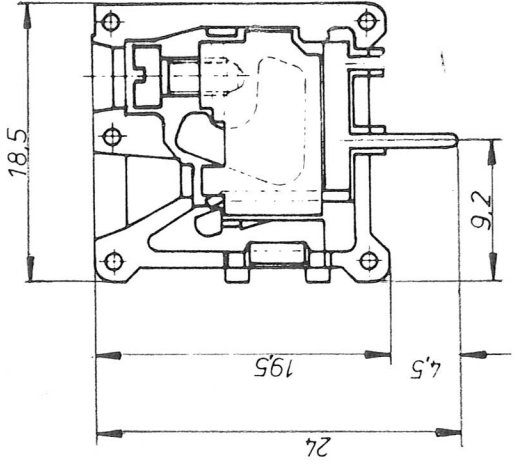
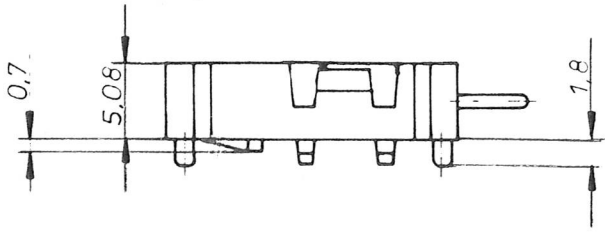


REVISIONS

REV	DESCRIPTION	DATE	APPROVED



FOOTPRINT

NOTES:

1. UNLESS OTHERWISE SPECIFIED, ALL DIMENSIONS ARE IN MILLIMETERS
2. ALL DIMENSIONS ARE NOMINAL UNLESS TOLERANCE LIMITS ARE INDICATED

DRAWN BY	FGK <i>FGK</i>
CHECKED	<i>Am</i> 9/26/90
DATE	09/26/90
<small>THIS DOCUMENT INCLUDES DESIGN AND ENGINEERING CONCEPTS WHICH MAY BE PROPRIETARY AND CONFIDENTIAL INFORMATION OF WEIDMULLER INC. AND THIS DOCUMENT OR ITS CONTENTS MAY NOT BE DISCLOSED TO OTHERS, REPRODUCED, COPIED, OR USED WITHOUT WRITTEN AUTHORITY FROM WEIDMULLER INC. IN RICHMOND, VIRGINIA. THIS DRAWING MAY BE SUBJECT TO REVISION WITHOUT NOTICE.</small>	
CAT NO	64396

<b>Weidmüller</b> 821 SOUTHLAKE BLVD RICHMOND, VA 23236	
TOP 1.5 GS 1 POLE 1 PIN	
SIZE	A
FSCM NO	WTI 413128
DWG NO	WTI 413128
REV	0
SCALE	SHEET 1 OF 1