

MATERIAL NUMBER	#OF COLUMNS	# OF DIFF PAIR	DIM "A" MAX	DIM "B"	PTH $\phi$
76410-*8**	8	24	15.20	13.30	0.46±0.05
76410-*1**	10	30	19.00	17.10	0.46±0.05
76410-*6**	16	48	30.40	28.50	0.46±0.05
76410-*8**	8	24	15.20	13.30	0.39±0.05
76410-*1**	10	30	19.00	17.10	0.39±0.05
76410-*6**	16	48	30.40	28.50	0.39±0.05

**76410-\*\*\*\***

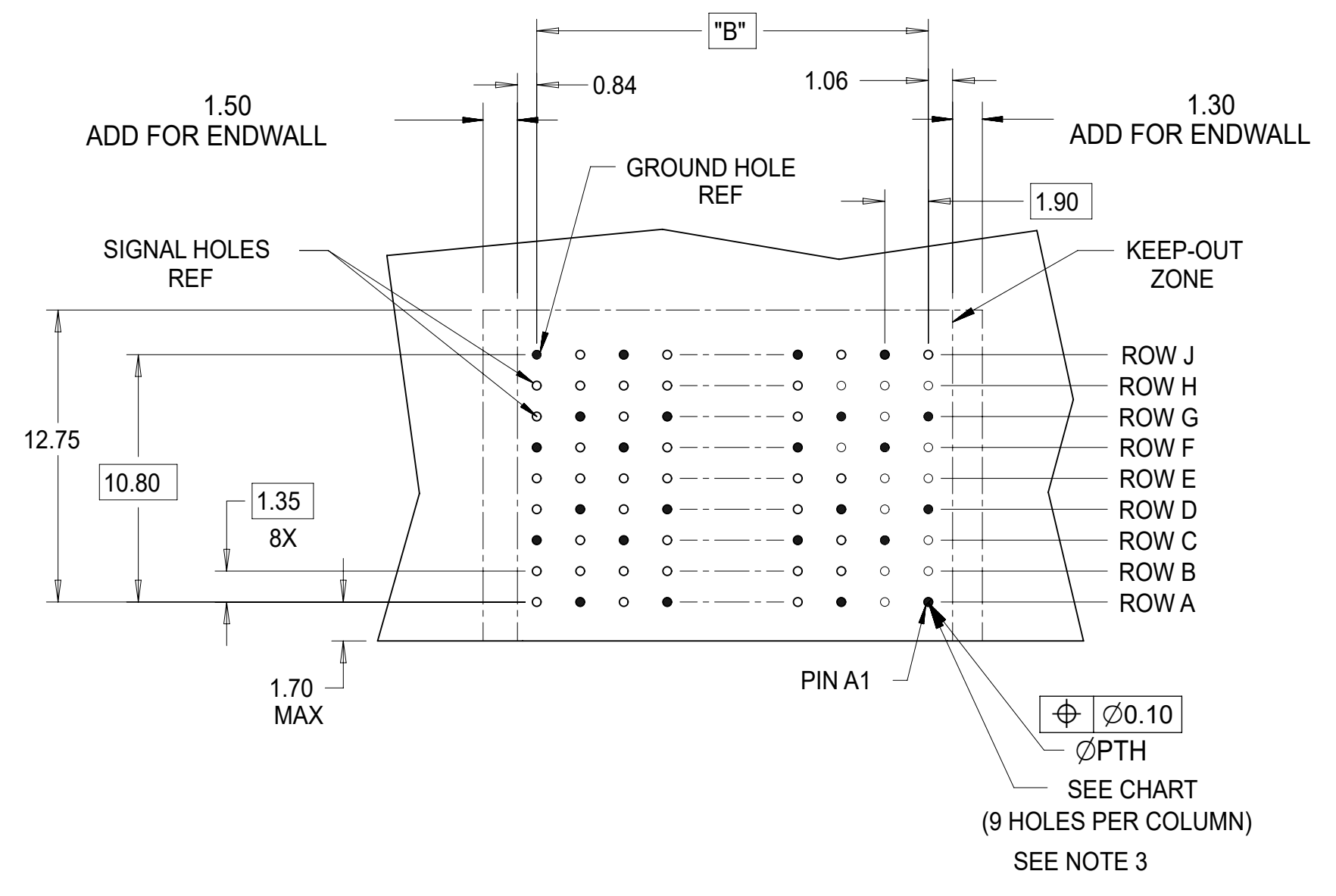
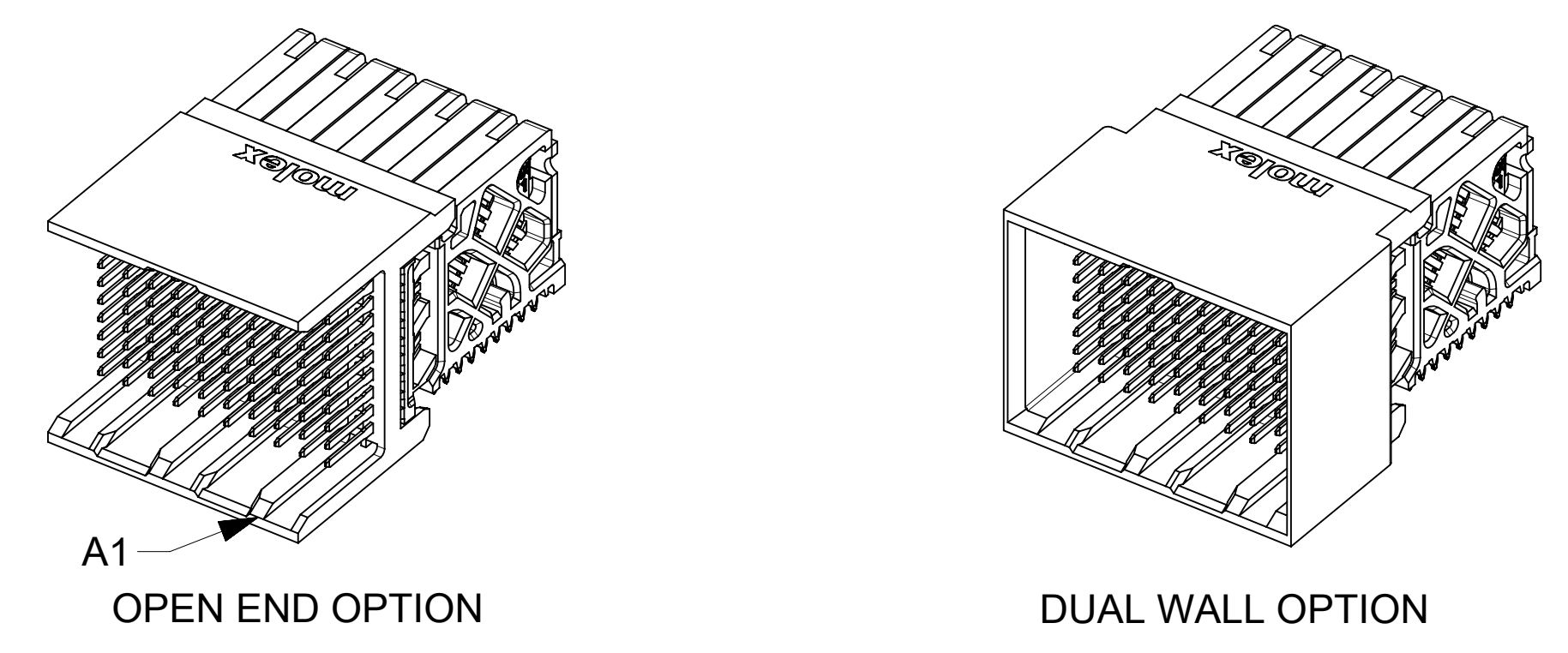
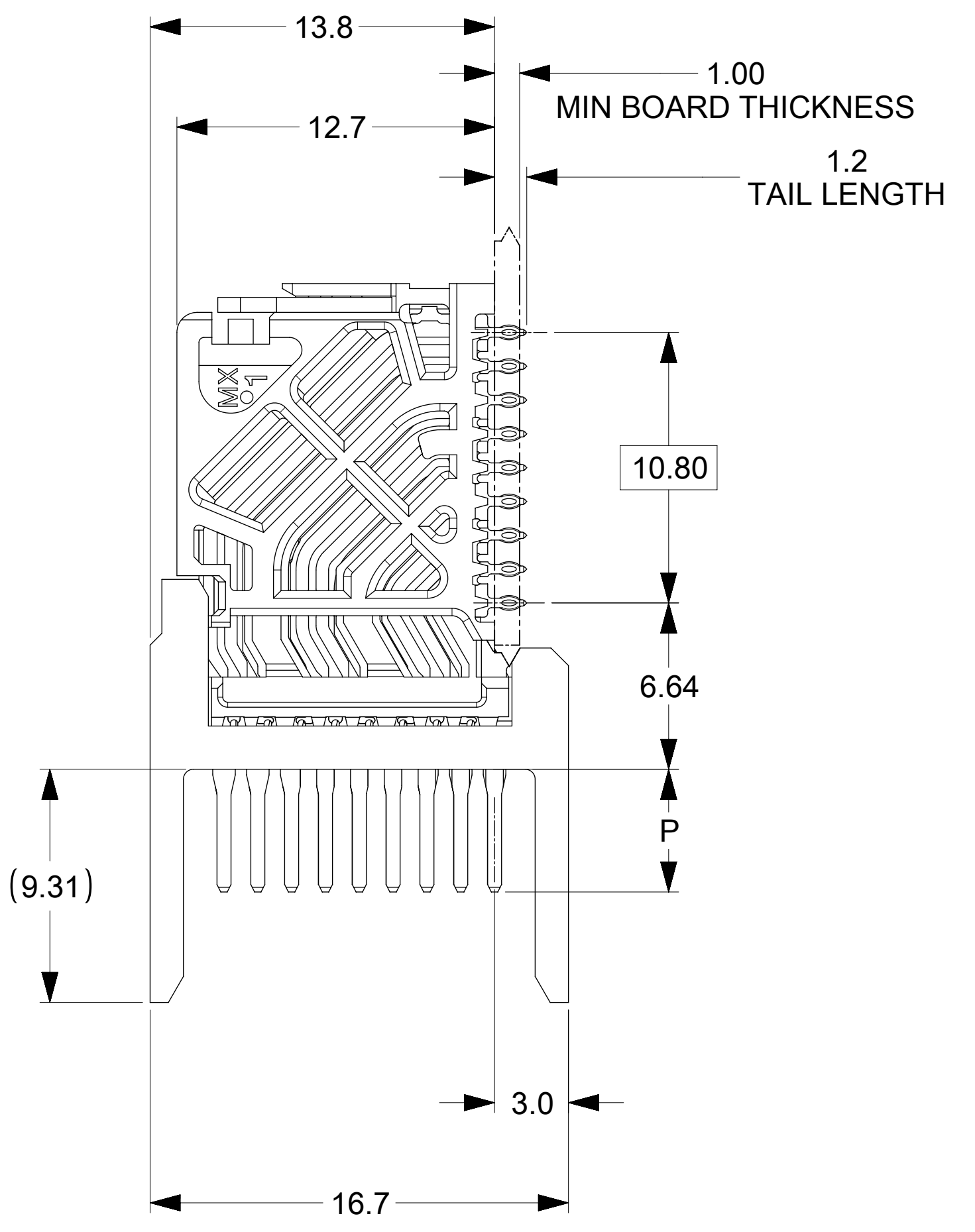
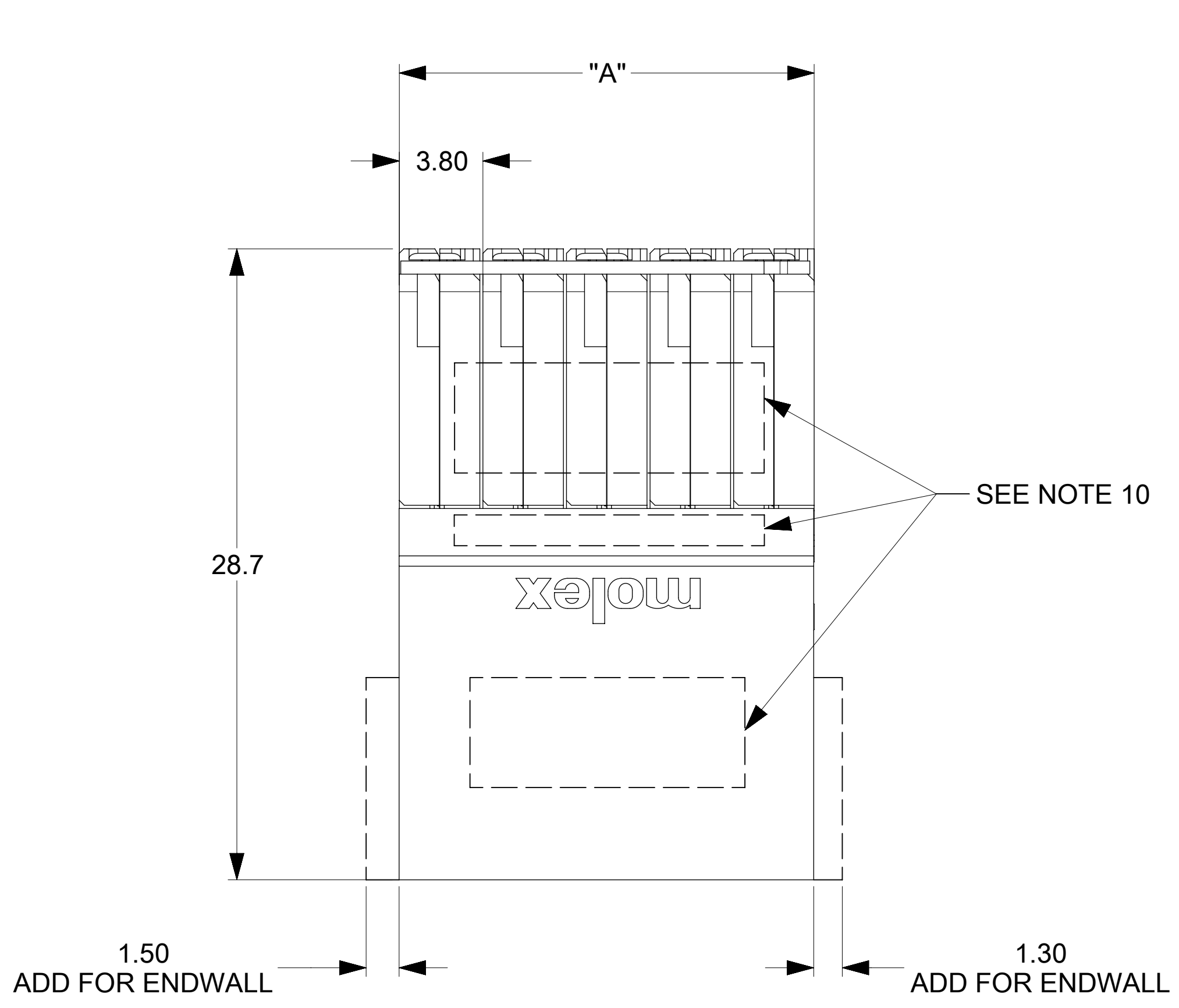
MODULE TYPE  
1 = UNGUIDED, LEAD-FREE

# OF COLUMNS  
1 = 10 COLUMNS  
6 = 16 COLUMNS  
8 = 8 COLUMNS

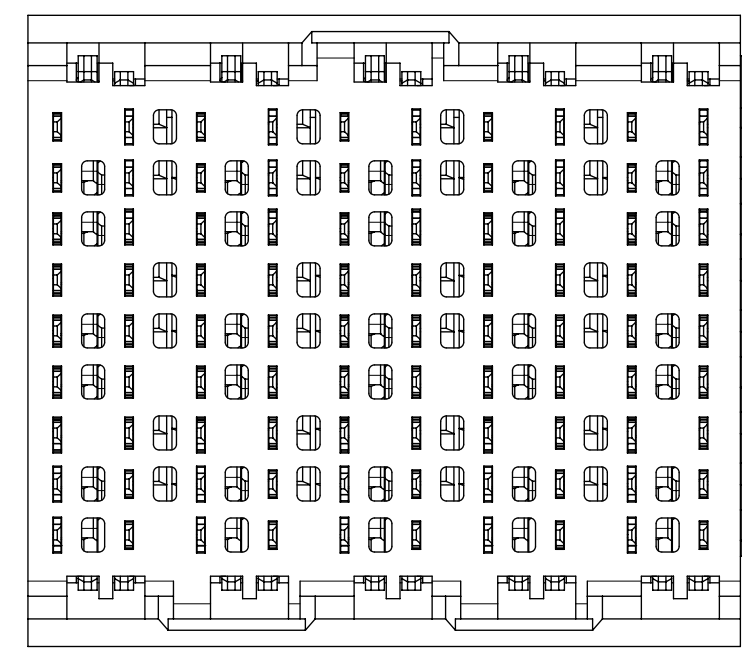
PIN LENGTH (P)  
4 = 4.90 (0.46 PTH)  
5 = 5.50 (0.46 PTH)  
7 = 4.90 (0.39 PTH)  
8 = 5.50 (0.39 PTH)

END WALL OPTIONS  
0 = OPEN ENDS  
1 = LEFT ENDWALL  
2 = DUAL ENDWALL  
3 = RIGHT ENDWALL

- NOTES:
1. MATERIALS: HOUSING - LIQUID CRYSTAL POLYMER (LCP), GLASS-FILLED, UL94V-0  
TERMINALS - HIGH PERFORMANCE COPPER ALLOY
  2. FINISH: 30uIN SELECTIVE GOLD IN CONTACT AREA, SELECTIVE TIN ON PCB TAILS, NICKEL OVERALL.
  3. REFER TO MOLEX PRODUCT SPECIFICATION PS-76060-999 FOR PERFORMANCE SPECIFICATIONS AND ADDITIONAL PCB INFORMATION.
  4. EACH SIGNAL WAFER CONTAINS 2 COLUMNS OF TERMINALS.
  5. PRODUCT IS PACKAGED PER PK-70873-762.
  6. THIS PART CONFORMS TO CLASS B REQUIREMENTS OF COSMETIC SPEC PS-45499-002.
  7. REFER TO MOLEX SALES DRAWING SD-76170-001 FOR THE MATING RECEPTACLES.
  8. REFER TO MOLEX PCB ROUTING GUIDE AS-76060-990 FOR ANTIPAD AND ROUTING RECOMMENDATIONS.
  9. OPEN WALL VERSION SHOWN FOR CLARITY.
  10. MARKING: LOCATED APPROXIMATELY AS SHOWN. PART NUMBER AND DATE CODE.



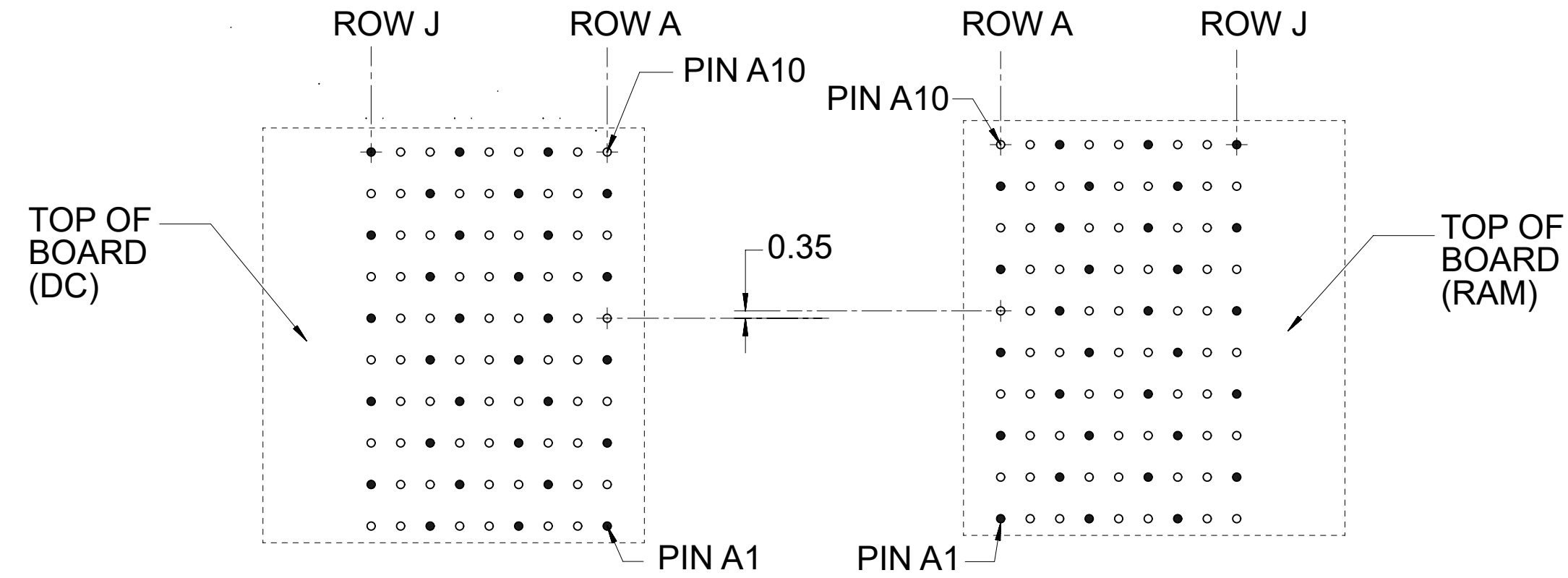
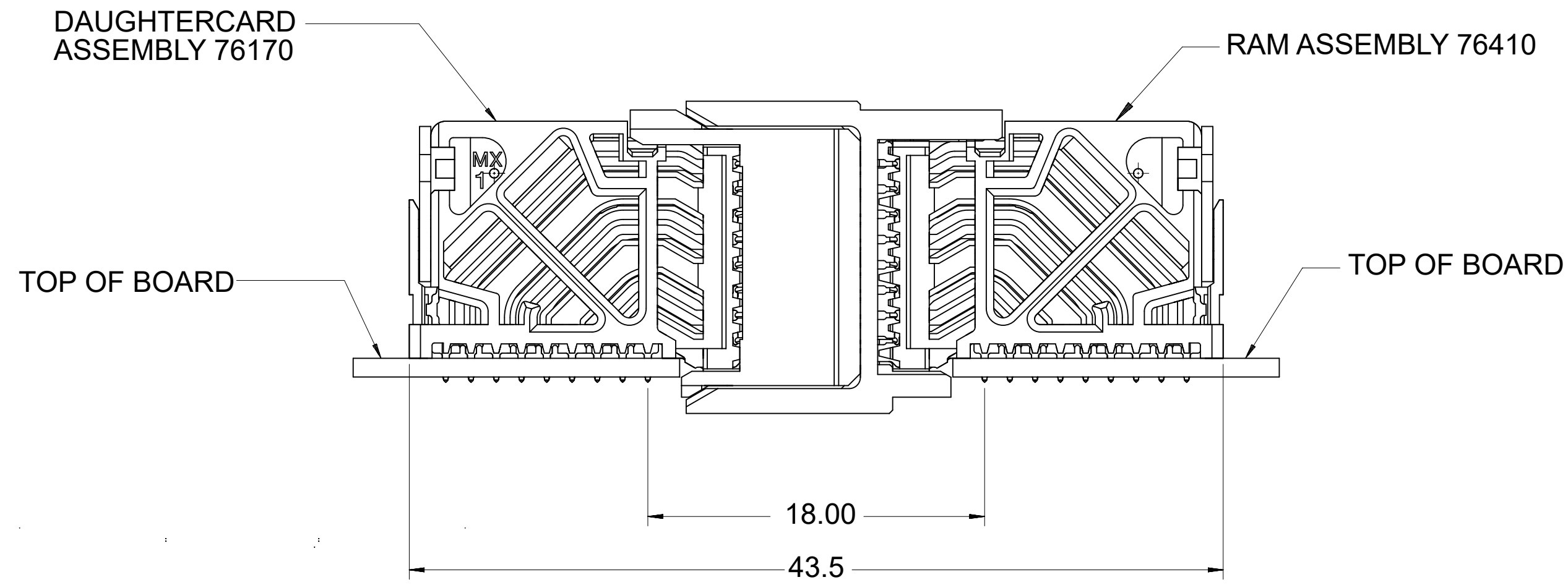
**RAM HOLE PATTERN  
(CONNECTOR SIDE)**



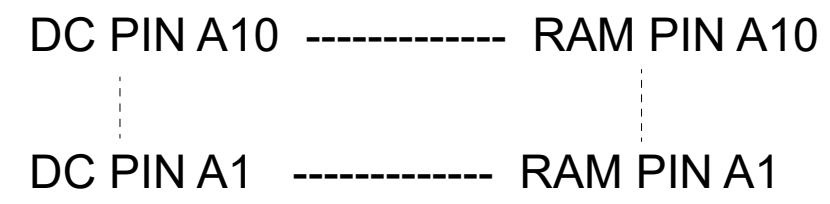
THIS DRAWING CONTAINS INFORMATION THAT IS PROPRIETARY TO MOLEX ELECTRONIC TECHNOLOGIES, LLC AND SHOULD NOT BE USED WITHOUT WRITTEN PERMISSION

DIMENSION UNITS <b>mm</b>	SCALE <b>NTS</b>	CURRENT REV DESC: MIGRATED TO NX	<b>molex</b>			
GENERAL TOLERANCES (UNLESS SPECIFIED)		EC NO: 705090				IMPACT 3 PAIR RAM UNGUIDED SIGNAL MODULE SALES DRAWING
ANGULAR TOL $\pm$ 0.5°	4 PLACES $\pm$	DRWN: NMUTHARAYAPP 2018/10/29	PRODUCT CUSTOMER DRAWING			
3 PLACES $\pm$	2 PLACES $\pm$ 0.13	CHK'D: VINODM3 2022/04/22	DOCUMENT NUMBER	DOC TYPE	DOC PART	REVISION
1 PLACE $\pm$ 0.25	0 PLACES $\pm$	APPR: LZENG 2022/05/13	<b>SD-76410-001</b>	PSD	001	<b>D4</b>
DRAFT WHERE APPLICABLE MUST REMAIN WITHIN DIMENSIONS	THIRD ANGLE PROJECTION	INITIAL REVISION: DRWN: JLAURX 2008/10/23 APPR: JLAURX 2008/10/27	MATERIAL NUMBER	CUSTOMER	SHEET NUMBER	
		DRAWING SERIES <b>D-SIZE 76410</b>	SEE TABLE	GENERAL MARKET	1 OF 2	

# COPLANAR APPLICATION



## COPLANAR MATED SIGNAL PATHS



FUNCTIONAL SYMBOLS	THIS DRAWING CONTAINS INFORMATION THAT IS PROPRIETARY TO MOLEX ELECTRONIC TECHNOLOGIES, LLC AND SHOULD NOT BE USED WITHOUT WRITTEN PERMISSION		CURRENT REV DESC: MIGRATED TO NX								
	DIMENSION UNITS	SCALE									
$F_A = 0$	mm	NTS	EC NO: 705090 DRWN: NMUTHARAYAPP 2018/10/29 CHK'D: VINODM3 2022/04/22 APPR: LZENG 2022/05/13 INITIAL REVISION: DRWN: JLAURX 2008/10/23 APPR: JLAURX 2008/10/27		DOCUMENT NUMBER		DOC TYPE	DOC PART	REVISION		
$F_C = 0$	GENERAL TOLERANCES (UNLESS SPECIFIED)				SD-76410-001		PSD	001	D4		
$F_D = 0$	ANGULAR TOL $\pm 0.5^\circ$				PRODUCT CUSTOMER DRAWING						
DIVISIONAL SYMBOLS	4 PLACES	$\pm$			DRAFT WHERE APPLICABLE MUST REMAIN WITHIN DIMENSIONS		MATERIAL NUMBER		CUSTOMER		SHEET NUMBER
	3 PLACES	$\pm$			THIRD ANGLE PROJECTION		SEE TABLE		GENERAL MARKET		2 OF 2
	2 PLACES	$\pm 0.13$	D-SIZE		76410						
	1 PLACE	$\pm 0.25$									
	0 PLACES	$\pm$									