

2 & 3  
CIRCUITS

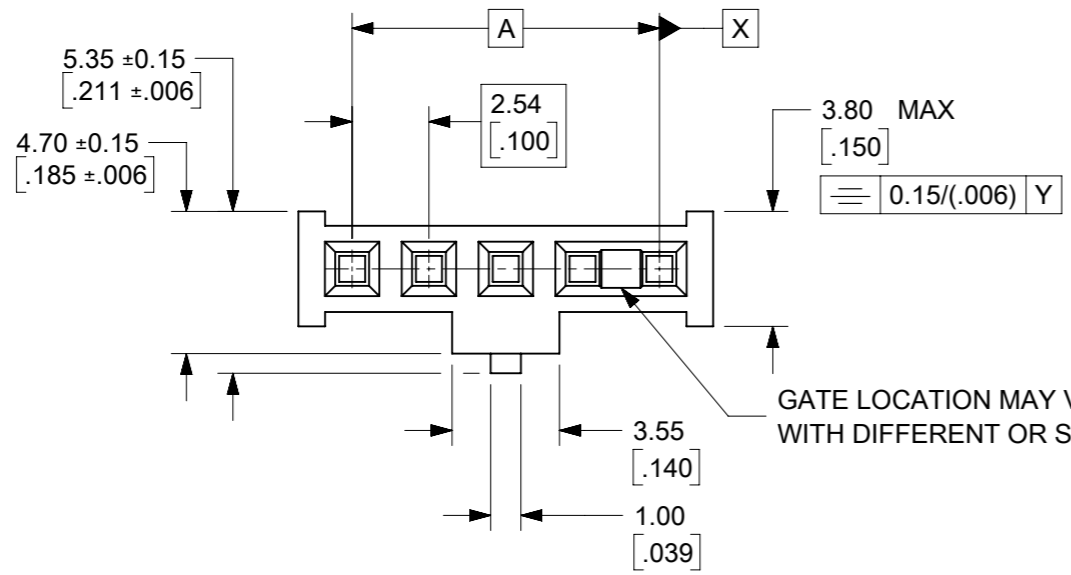
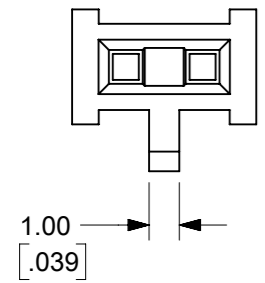
4 TO 32  
CIRCUITS

PART NUMBER:  
90156-XXXX

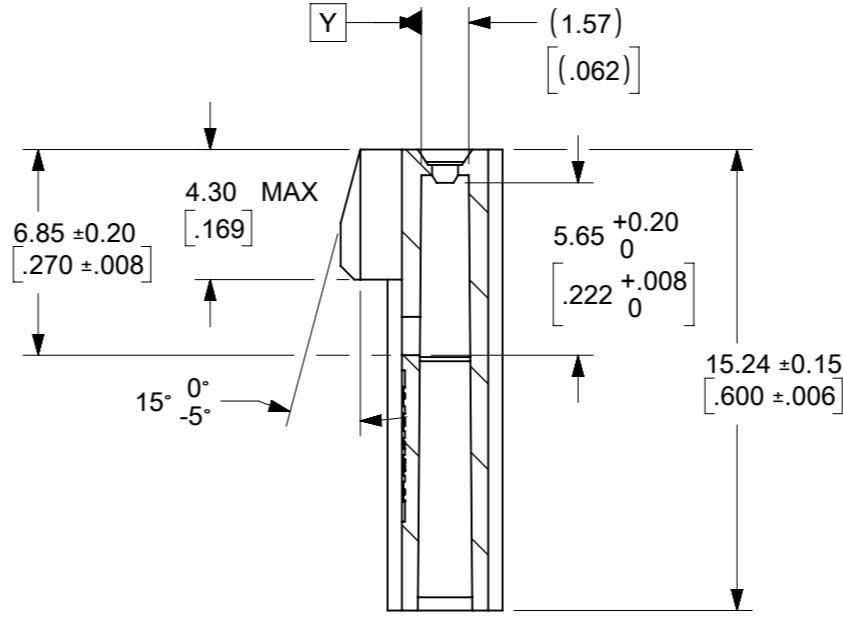
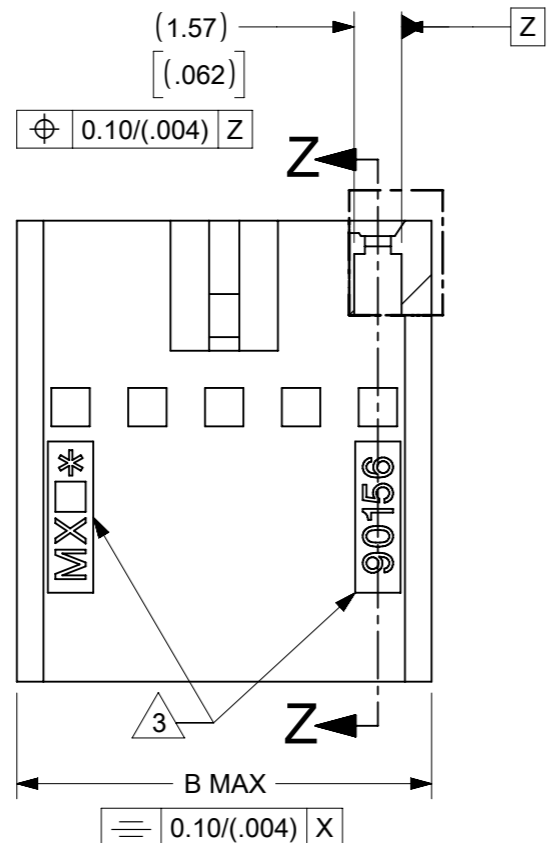
CIRCUIT SIZE  
REF.NO  
(SEE CHART)

MATERIAL CODE:  
SEE NOTE 1

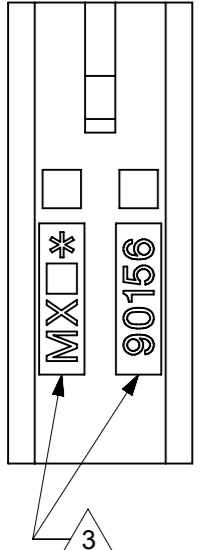
No. OF CKTS	PART NUMBER	DIM A	DIM B
2	90156-XX42	2.54/(.100)	6.14/(.242)
3	▲ -XX43	5.08/(.200)	8.68/(.342)
4	-XX44	7.62/(.300)	11.22/(.442)
5	-XX45	10.16/(.400)	13.76/(.542)
6	-XX46	12.70/(.500)	16.30/(.642)
7	-XX47	15.24/(.600)	18.84/(.742)
8	-XX48	17.78/(.700)	21.38/(.842)
9	-XX49	20.32/(.800)	23.92/(.942)
10	-XX50	22.86/(.900)	26.46/(1.042)
11			
12	-XX52	27.94/(1.100)	31.54/(1.242)
13	-XX53	30.48/(1.200)	34.08/(1.342)
14	-XX54	33.02/(1.300)	36.62/(1.442)
15	-XX55	35.56/(1.400)	39.16/(1.542)
16	-XX56	38.10/(1.500)	41.70/(1.642)
17			
18	-XX58	43.18/(1.700)	46.78/(1.842)
19			
20	-XX60	48.26/(1.900)	51.86/(2.042)
21			
22	-XX62	53.34/(2.100)	56.94/(2.242)
23			
24			
25	-XX65	60.96/(2.400)	64.56/(2.542)
26			
27			
28			
29			
30	-XX70	73.66/(2.900)	77.26/(3.042)
31			
32	90156-XX72	78.74/(3.100)	82.34/(3.242)



GATE LOCATION MAY VARIES  
WITH DIFFERENT OR SAME CKT SIZE



SECTION Z-Z



- NOTES:
- MATERIAL CODE XX: 90156 - XX \*\* :  
01 - POLYPHENYLENE OXIDE (PPO) UL94 V-1 COLOR: BLACK  
10 - GLOW WIRE OPTION POLYESTER (PBT) UL94 V-2 COLOR: NATURAL
  - PRODUCT SPECIFICATION: PS-99020-0001
  - MOLEX LOGO, SERIES NUMBER AND CAVITY ID TO BE PLACED ON THIS FACE.

FUNCTIONAL SYMBOLS	THIS DRAWING CONTAINS INFORMATION THAT IS PROPRIETARY TO MOLEX ELECTRONIC TECHNOLOGIES, LLC AND SHOULD NOT BE USED WITHOUT WRITTEN PERMISSION	CURRENT REV DESC:		<b>molex</b>																					
	<table border="1"> <tr><th>DIMENSION UNITS</th><th>SCALE</th></tr> <tr><td>MM/IN</td><td>NTS</td></tr> </table> <p>GENERAL TOLERANCES (UNLESS SPECIFIED)</p> <table border="1"> <tr><th></th><th>MM</th><th>INCH</th></tr> <tr><td>4 PLACES</td><td>±</td><td>±</td></tr> <tr><td>3 PLACES</td><td>±</td><td>± 0.004</td></tr> <tr><td>2 PLACES</td><td>± 0.2</td><td>±</td></tr> <tr><td>1 PLACE</td><td>±</td><td>±</td></tr> <tr><td>0 PLACES</td><td>±</td><td>±</td></tr> </table> <p>ANGULAR TOL ± 2.0°</p>	DIMENSION UNITS	SCALE		MM/IN	NTS		MM	INCH	4 PLACES	±	±	3 PLACES	±	± 0.004	2 PLACES	± 0.2	±	1 PLACE	±	±	0 PLACES	±	±	<p>EC NO: 742393 DRWN: SUAIFR CHK'D: SUAIFR APPR: MRAMAKRISHNA</p> <p>INITIAL REVISION: DRWN: GMCSWEEN APPR: KHLIM</p>
DIMENSION UNITS	SCALE																								
MM/IN	NTS																								
	MM	INCH																							
4 PLACES	±	±																							
3 PLACES	±	± 0.004																							
2 PLACES	± 0.2	±																							
1 PLACE	±	±																							
0 PLACES	±	±																							
DIVISIONAL SYMBOLS	<p>DRAFT WHERE APPLICABLE MUST REMAIN WITHIN DIMENSIONS</p>		<p>THIRD ANGLE PROJECTION</p>	<p>DRAWING A3-SIZE</p>																					
<p>DOCUMENT STATUS P1 RELEASE DATE 2023/03/15 06:50:27</p>		<p>SERIES 90156</p>	<p>MATERIAL NUMBER SEE TABLE</p>	<p>CUSTOMER GENERAL MARKET</p>																					
		<p>SHEET NUMBER 1 OF 1</p>																							