

2 & 3
CIRCUITS

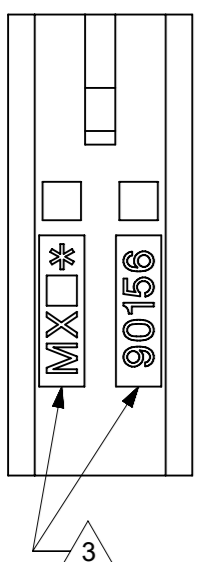
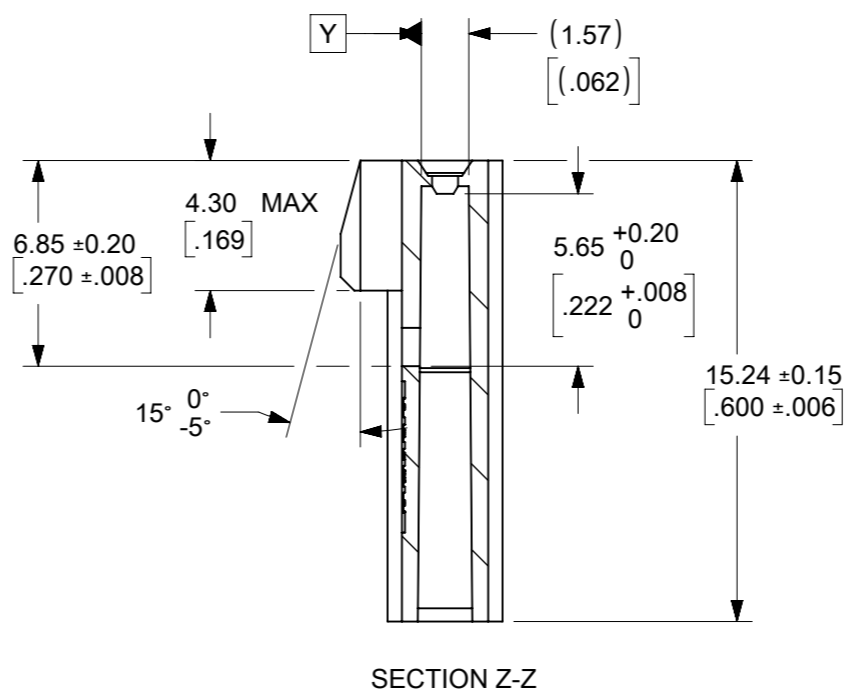
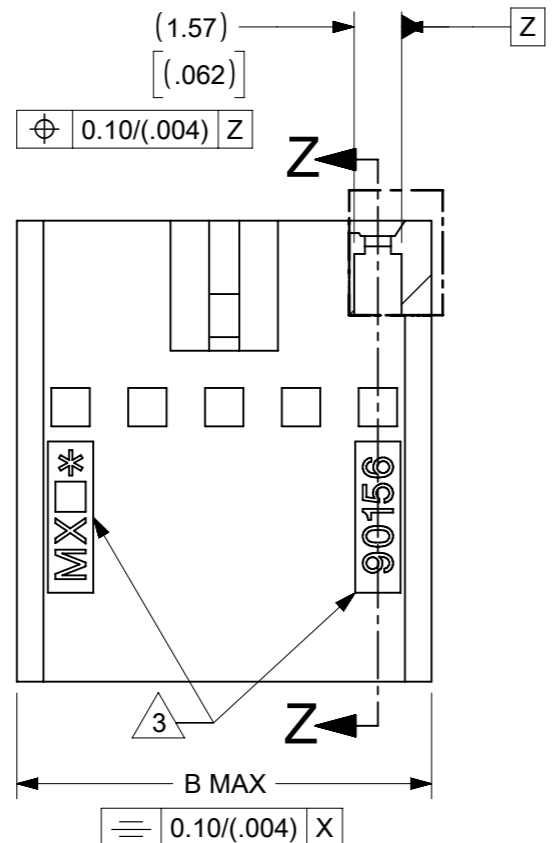
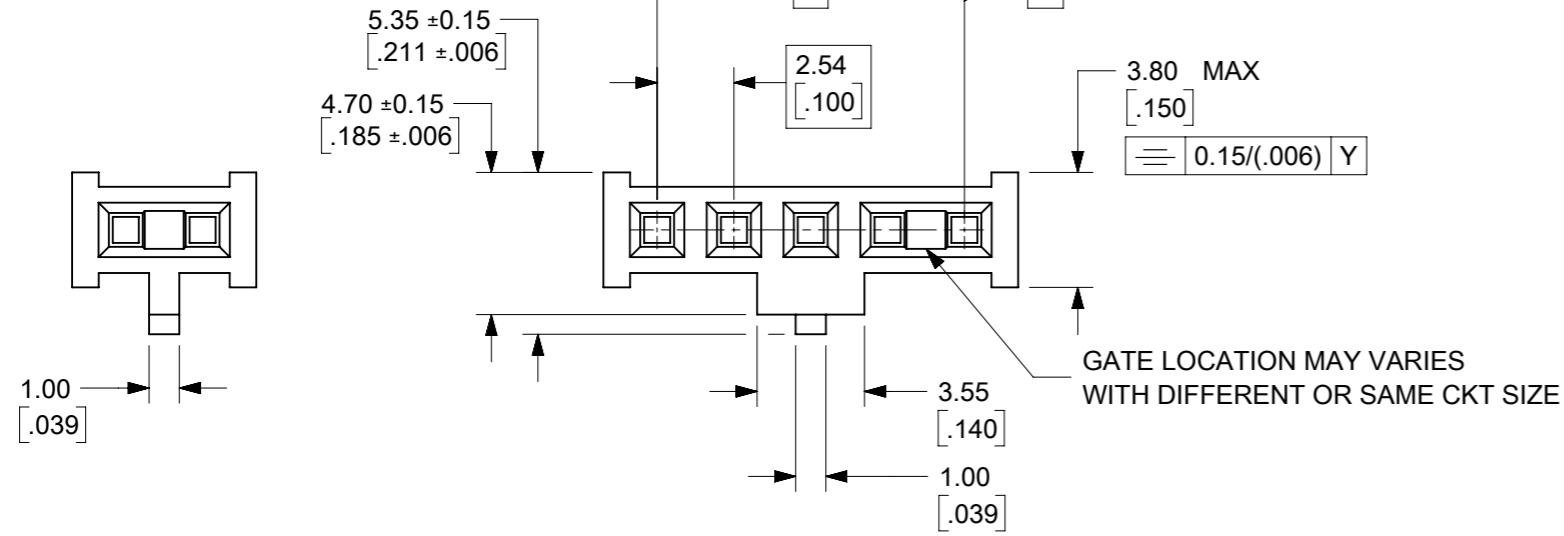
4 TO 32
CIRCUITS

PART NUMBER:
90156-XXXX

CIRCUIT SIZE
REF.NO
(SEE CHART)

MATERIAL CODE:
SEE NOTE 1

No. OF CKTS	PART NUMBER	DIM A	DIM B
2	90156-XX42	2.54/(.100)	6.14/(.242)
3	▲ -XX43	5.08/(.200)	8.68/(.342)
4	-XX44	7.62/(.300)	11.22/(.442)
5	-XX45	10.16/(.400)	13.76/(.542)
6	-XX46	12.70/(.500)	16.30/(.642)
7	-XX47	15.24/(.600)	18.84/(.742)
8	-XX48	17.78/(.700)	21.38/(.842)
9	-XX49	20.32/(.800)	23.92/(.942)
10	-XX50	22.86/(.900)	26.46/(1.042)
11			
12	-XX52	27.94/(1.100)	31.54/(1.242)
13	-XX53	30.48/(1.200)	34.08/(1.342)
14	-XX54	33.02/(1.300)	36.62/(1.442)
15	-XX55	35.56/(1.400)	39.16/(1.542)
16	-XX56	38.10/(1.500)	41.70/(1.642)
17			
18	-XX58	43.18/(1.700)	46.78/(1.842)
19			
20	-XX60	48.26/(1.900)	51.86/(2.042)
21			
22	-XX62	53.34/(2.100)	56.94/(2.242)
23			
24			
25	-XX65	60.96/(2.400)	64.56/(2.542)
26			
27			
28			
29			
30	-XX70	73.66/(2.900)	77.26/(3.042)
31			
32	90156-XX72	78.74/(3.100)	82.34/(3.242)



- NOTES:
- MATERIAL CODE XX: 90156 - XX ** :
01 - POLYPHENYLENE OXIDE (PPO) UL94 V-1 COLOR: BLACK
10 - GLOW WIRE OPTION POLYESTER (PBT) UL94 V-2 COLOR: NATURAL
 - PRODUCT SPECIFICATION: PS-99020-0001
 - MOLEX LOGO, SERIES NUMBER AND CAVITY ID TO BE PLACED ON THIS FACE.

FUNCTIONAL SYMBOLS		THIS DRAWING CONTAINS INFORMATION THAT IS PROPRIETARY TO MOLEX ELECTRONIC TECHNOLOGIES, LLC AND SHOULD NOT BE USED WITHOUT WRITTEN PERMISSION		CURRENT REV DESC:	
FA = 0	MM/IN	SCALE	NTS		
FB = 0	GENERAL TOLERANCES (UNLESS SPECIFIED)		EC NO: 742393		
FC = 0	4 PLACES ±	MM	INCH	DRWN: SUAIFR 2023/03/13	
	3 PLACES ±	± 0.004		CHK'D: SUAIFR 2023/03/15	
	2 PLACES ±	0.2		APPR: MRAMAKRISHNA 2023/03/15	
	1 PLACE ±			INITIAL REVISION:	
	0 PLACES ±			DRWN: GMCSWEEN 2004/05/07	
	ANGULAR TOL ± 2.0°			APPR: KHLIM 2015/11/05	
DRAFT WHERE APPLICABLE MUST REMAIN WITHIN DIMENSIONS		THIRD ANGLE PROJECTION	DRAWING	SERIES	MATERIAL NUMBER
			A3-SIZE	90156	SEE TABLE
		CUSTOMER		DOCUMENT NUMBER	DOC TYPE
		GENERAL MARKET		SDA-90156	PSD
				DOC PART	REVISION
				001	R2
				SHEET NUMBER	
				1 OF 1	