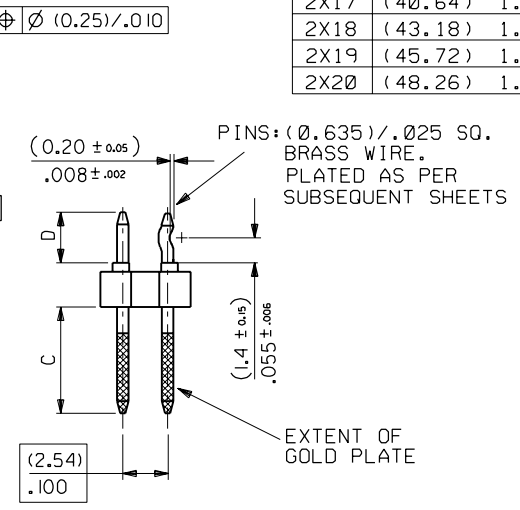
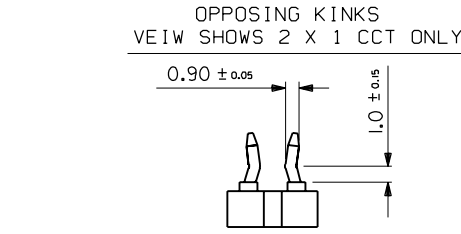
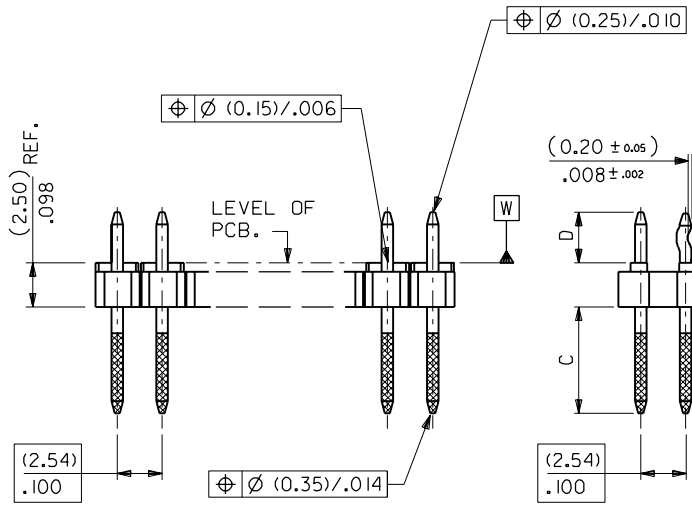
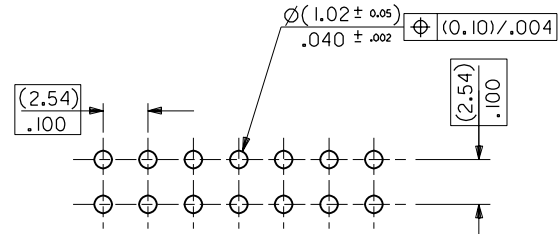


WAFER: 15% G.F. POLYESTER
TO UL 94V-0.
COLOUR : BLACK.



CKT SIZE	DIM. "A"		DIM. "B" (± 0.20 / $\pm .008$)		CKT SIZE	DIM. "A"		DIM. "B" (± 0.20 / $\pm .008$)	
2X 1			(2.54)	.100	2X21	(50.80)	2.000	(53.34)	2.100
2X 2	(2.54)	.100	(5.08)	.200	2X22	(53.34)	2.100	(55.88)	2.200
2X 3	(5.08)	.200	(7.62)	.300	2X23	(55.88)	2.200	(58.42)	2.300
2X 4	(7.62)	.300	(10.16)	.400	2X24	(58.42)	2.300	(60.96)	2.400
2X 5	(10.16)	.400	(12.70)	.500	2X25	(60.96)	2.400	(63.50)	2.500
2X 6	(12.70)	.500	(15.24)	.600	2X26	(63.50)	2.500	(66.04)	2.600
2X 7	(15.24)	.600	(17.78)	.700	2X27	(66.04)	2.600	(68.58)	2.700
2X 8	(17.78)	.700	(20.32)	.800	2X28	(68.58)	2.700	(71.12)	2.800
2X 9	(20.32)	.800	(22.86)	.900	2X29	(71.12)	2.800	(73.66)	2.900
2X10	(22.86)	.900	(25.40)	1.000	2X30	(73.66)	2.900	(76.20)	3.000
2X11	(25.40)	1.000	(27.94)	1.100	2X31	(76.20)	3.000	(78.74)	3.100
2X12	(27.94)	1.100	(30.48)	1.200	2X32	(78.74)	3.100	(81.28)	3.200
2X13	(30.48)	1.200	(33.02)	1.300	2X33	(81.28)	3.200	(83.82)	3.300
2X14	(33.02)	1.300	(35.56)	1.400	2X34	(83.82)	3.300	(86.36)	3.400
2X15	(35.56)	1.400	(38.10)	1.500	2X35	(86.36)	3.400	(88.90)	3.500
2X16	(38.10)	1.500	(40.64)	1.600	2X36	(88.90)	3.500	(91.44)	3.600
2X17	(40.64)	1.600	(43.18)	1.700	2X37	(91.44)	3.600	(93.98)	3.700
2X18	(43.18)	1.700	(45.72)	1.800	2X38	(93.98)	3.700	(96.52)	3.800
2X19	(45.72)	1.800	(48.26)	1.900	2X39	(96.52)	3.800	(99.06)	3.900
2X20	(48.26)	1.900	(50.80)	2.000	2X40	(99.06)	3.900	(101.60)	4.000

NOTES
1. FOR ASSY NUMBERS WITH FINISH OPTIONS AND DIMS C & D SEE SUBSEQUENT SHEETS.
2. PCB THICKNESS: (1.37-1.80) / .054-.071.



RECOMMENDED P.C. BOARD HOLE PATTERN

2	B
1	B
SH.	REV.

REVISE ONLY ON CAD SYSTEM

CAD/CAM FILENAME: SA90628X1 DCN

TITLE: C-GRID III DUAL ROW KINKED PIN HEADER

MOLEX EUROPE

SHEET NO. DATE: 10F2 90/09/11

PART NO. SEE CHART DWG. NO. SDA-90628 SIZE B

FOR PREVIOUS DRAWING ISSUES SEE MRI.

NEW RELEASE ECR E00166 11 SEPTEMBER 1990 RD

DIMENSIONS SHOWN (METRIC) INCH	
UNLESS OTHERWISE SPECIFIED TOLERANCES: ANGULAR $\pm \frac{1}{2}^\circ$	
3 PLACE \pm	
2 PLACE \pm	$\pm .10$
1 PLACE	$\pm .25$
DRAFT WHERE APPLICABLE MUST REMAIN WITHIN DIMENSIONS	
DESIGN DIMENSION (PRIMARY)	<input checked="" type="checkbox"/> (MM) <input type="checkbox"/> IN.
EQUIVALENT DIMENSION (SECONDARY)	<input type="checkbox"/> (MM) <input checked="" type="checkbox"/> IN.

DRWG BY: RD

CHK'D BY:

APP'D BY:

SCALE: 4:1

STRAIGHT PINS OMITTED FROM VIEW

OPPOSING KINKS VIEW SHOWS 2 X 1 CCT ONLY

	10	9	8	7	6	5	4	3	2	1																																																																																																																																																																																																																	
F	PART NO. SEE CHART DWG. NO. SDA-90628 DIM C (±0.25) ±.010 (6.75) .266 DIM D (±0.30) ±.012 (2.90) .114	<table border="1"> <thead> <tr> <th>CIRCUIT SIZE</th> <th>PLATING TYPE A PART NO.</th> <th>PLATING TYPE E PART NO.</th> <th>PLATING TYPE F PART NO.</th> <th>KINKED PIN POSITIONS</th> </tr> </thead> <tbody> <tr><td>2 X 1</td><td>90628 -0121</td><td>90628 -0761</td><td>90628 -0921</td><td>1</td></tr> <tr><td>2 X 2</td><td>↑ -0122</td><td>↑ -0762</td><td>↑ -0922</td><td>1,3</td></tr> <tr><td>2 X 3</td><td>-0123</td><td>-0763</td><td>-0923</td><td>1 & 5</td></tr> <tr><td>2 X 4</td><td>-0124</td><td>-0764</td><td>-0924</td><td>3 & 5</td></tr> <tr><td>2 X 5</td><td>-0125</td><td>-0765</td><td>-0925</td><td>3 & 7</td></tr> <tr><td>2 X 6</td><td>-0126</td><td>-0766</td><td>-0926</td><td>5 & 7</td></tr> <tr><td>2 X 7</td><td>-0127</td><td>-0767</td><td>-0927</td><td>5 & 9</td></tr> <tr><td>2 X 8</td><td>-0128</td><td>-0768</td><td>-0928</td><td>7 & 9</td></tr> <tr><td>2 X 9</td><td>-0129</td><td>-0769</td><td>-0929</td><td>7 & 11</td></tr> <tr><td>2 X 10</td><td>-0130</td><td>-0770</td><td>-0930</td><td>9 & 11</td></tr> <tr><td>2 X 11</td><td>-0131</td><td>-0771</td><td>-0931</td><td>1,11 & 21</td></tr> <tr><td>2 X 12</td><td>-0132</td><td>-0772</td><td>-0932</td><td>1,12 & 23</td></tr> <tr><td>2 X 13</td><td>-0133</td><td>-0773</td><td>-0933</td><td>1,13 & 25</td></tr> <tr><td>2 X 14</td><td>-0134</td><td>-0774</td><td>-0934</td><td>1,15 & 27</td></tr> <tr><td>2 X 15</td><td>-0135</td><td>-0775</td><td>-0935</td><td>1,15 & 29</td></tr> <tr><td>2 X 16</td><td>-0136</td><td>-0776</td><td>-0936</td><td>1,15 & 31</td></tr> <tr><td>2 X 17</td><td>-0137</td><td>-0777</td><td>-0937</td><td>1,17 & 33</td></tr> <tr><td>2 X 18</td><td>-0138</td><td>-0778</td><td>-0938</td><td>1,17 & 35</td></tr> <tr><td>2 X 19</td><td>-0139</td><td>-0779</td><td>-0939</td><td>1,19 & 37</td></tr> <tr><td>2 X 20</td><td>-0140</td><td>-0780</td><td>-0940</td><td>1,19 & 39</td></tr> <tr><td>2 X 21</td><td>-0141</td><td>-0781</td><td>-0941</td><td>1,21 & 41</td></tr> <tr><td>2 X 22</td><td>-0142</td><td>-0782</td><td>-0942</td><td>1,21 & 43</td></tr> <tr><td>2 X 23</td><td>-0143</td><td>-0783</td><td>-0943</td><td>1,23 & 45</td></tr> <tr><td>2 X 24</td><td>-0144</td><td>-0784</td><td>-0944</td><td>1,23 & 47</td></tr> <tr><td>2 X 25</td><td>-0145</td><td>-0785</td><td>-0945</td><td>1,25 & 49</td></tr> <tr><td>2 X 26</td><td>-0146</td><td>-0786</td><td>-0946</td><td>1,25 & 51</td></tr> <tr><td>2 X 27</td><td>-0147</td><td>-0787</td><td>-0947</td><td>1,27 & 53</td></tr> <tr><td>2 X 28</td><td>-0148</td><td>-0788</td><td>-0948</td><td>1,27 & 55</td></tr> <tr><td>2 X 29</td><td>-0149</td><td>-0789</td><td>-0949</td><td>1,29 & 57</td></tr> <tr><td>2 X 30</td><td>-0150</td><td>-0790</td><td>-0950</td><td>1,29 & 59</td></tr> <tr><td>2 X 31</td><td>-0151</td><td>-0791</td><td>-0951</td><td>1,31 & 61</td></tr> <tr><td>2 X 32</td><td>-0152</td><td>-0792</td><td>-0952</td><td>1,31 & 63</td></tr> <tr><td>2 X 33</td><td>-0153</td><td>-0793</td><td>-0953</td><td>1,33 & 65</td></tr> <tr><td>2 X 34</td><td>-0154</td><td>-0794</td><td>-0954</td><td>1,33 & 67</td></tr> <tr><td>2 X 35</td><td>-0155</td><td>-0795</td><td>-0955</td><td>1,35 & 69</td></tr> <tr><td>2 X 36</td><td>-0156</td><td>-0796</td><td>-0956</td><td>1,35 & 71</td></tr> <tr><td>2 X 37</td><td>-0157</td><td>-0797</td><td>-0957</td><td>1,37 & 73</td></tr> <tr><td>2 X 38</td><td>-0158</td><td>-0798</td><td>-0958</td><td>1,37 & 75</td></tr> <tr><td>2 X 39</td><td>↓ -0159</td><td>↓ -0799</td><td>↓ -0959</td><td>1,39 & 77</td></tr> <tr><td>2 X 40</td><td>90628 -0160</td><td>90628 -0800</td><td>90628 -0960</td><td>1,39 & 79</td></tr> </tbody> </table>				CIRCUIT SIZE	PLATING TYPE A PART NO.	PLATING TYPE E PART NO.	PLATING TYPE F PART NO.	KINKED PIN POSITIONS	2 X 1	90628 -0121	90628 -0761	90628 -0921	1	2 X 2	↑ -0122	↑ -0762	↑ -0922	1,3	2 X 3	-0123	-0763	-0923	1 & 5	2 X 4	-0124	-0764	-0924	3 & 5	2 X 5	-0125	-0765	-0925	3 & 7	2 X 6	-0126	-0766	-0926	5 & 7	2 X 7	-0127	-0767	-0927	5 & 9	2 X 8	-0128	-0768	-0928	7 & 9	2 X 9	-0129	-0769	-0929	7 & 11	2 X 10	-0130	-0770	-0930	9 & 11	2 X 11	-0131	-0771	-0931	1,11 & 21	2 X 12	-0132	-0772	-0932	1,12 & 23	2 X 13	-0133	-0773	-0933	1,13 & 25	2 X 14	-0134	-0774	-0934	1,15 & 27	2 X 15	-0135	-0775	-0935	1,15 & 29	2 X 16	-0136	-0776	-0936	1,15 & 31	2 X 17	-0137	-0777	-0937	1,17 & 33	2 X 18	-0138	-0778	-0938	1,17 & 35	2 X 19	-0139	-0779	-0939	1,19 & 37	2 X 20	-0140	-0780	-0940	1,19 & 39	2 X 21	-0141	-0781	-0941	1,21 & 41	2 X 22	-0142	-0782	-0942	1,21 & 43	2 X 23	-0143	-0783	-0943	1,23 & 45	2 X 24	-0144	-0784	-0944	1,23 & 47	2 X 25	-0145	-0785	-0945	1,25 & 49	2 X 26	-0146	-0786	-0946	1,25 & 51	2 X 27	-0147	-0787	-0947	1,27 & 53	2 X 28	-0148	-0788	-0948	1,27 & 55	2 X 29	-0149	-0789	-0949	1,29 & 57	2 X 30	-0150	-0790	-0950	1,29 & 59	2 X 31	-0151	-0791	-0951	1,31 & 61	2 X 32	-0152	-0792	-0952	1,31 & 63	2 X 33	-0153	-0793	-0953	1,33 & 65	2 X 34	-0154	-0794	-0954	1,33 & 67	2 X 35	-0155	-0795	-0955	1,35 & 69	2 X 36	-0156	-0796	-0956	1,35 & 71	2 X 37	-0157	-0797	-0957	1,37 & 73	2 X 38	-0158	-0798	-0958	1,37 & 75	2 X 39	↓ -0159	↓ -0799	↓ -0959	1,39 & 77	2 X 40	90628 -0160	90628 -0800	90628 -0960	1,39 & 79									
CIRCUIT SIZE		PLATING TYPE A PART NO.	PLATING TYPE E PART NO.	PLATING TYPE F PART NO.	KINKED PIN POSITIONS																																																																																																																																																																																																																						
2 X 1		90628 -0121	90628 -0761	90628 -0921	1																																																																																																																																																																																																																						
2 X 2		↑ -0122	↑ -0762	↑ -0922	1,3																																																																																																																																																																																																																						
2 X 3		-0123	-0763	-0923	1 & 5																																																																																																																																																																																																																						
2 X 4		-0124	-0764	-0924	3 & 5																																																																																																																																																																																																																						
2 X 5		-0125	-0765	-0925	3 & 7																																																																																																																																																																																																																						
2 X 6		-0126	-0766	-0926	5 & 7																																																																																																																																																																																																																						
2 X 7		-0127	-0767	-0927	5 & 9																																																																																																																																																																																																																						
2 X 8		-0128	-0768	-0928	7 & 9																																																																																																																																																																																																																						
2 X 9		-0129	-0769	-0929	7 & 11																																																																																																																																																																																																																						
2 X 10		-0130	-0770	-0930	9 & 11																																																																																																																																																																																																																						
2 X 11		-0131	-0771	-0931	1,11 & 21																																																																																																																																																																																																																						
2 X 12		-0132	-0772	-0932	1,12 & 23																																																																																																																																																																																																																						
2 X 13		-0133	-0773	-0933	1,13 & 25																																																																																																																																																																																																																						
2 X 14		-0134	-0774	-0934	1,15 & 27																																																																																																																																																																																																																						
2 X 15		-0135	-0775	-0935	1,15 & 29																																																																																																																																																																																																																						
2 X 16		-0136	-0776	-0936	1,15 & 31																																																																																																																																																																																																																						
2 X 17		-0137	-0777	-0937	1,17 & 33																																																																																																																																																																																																																						
2 X 18		-0138	-0778	-0938	1,17 & 35																																																																																																																																																																																																																						
2 X 19		-0139	-0779	-0939	1,19 & 37																																																																																																																																																																																																																						
2 X 20		-0140	-0780	-0940	1,19 & 39																																																																																																																																																																																																																						
2 X 21		-0141	-0781	-0941	1,21 & 41																																																																																																																																																																																																																						
2 X 22		-0142	-0782	-0942	1,21 & 43																																																																																																																																																																																																																						
2 X 23		-0143	-0783	-0943	1,23 & 45																																																																																																																																																																																																																						
2 X 24		-0144	-0784	-0944	1,23 & 47																																																																																																																																																																																																																						
2 X 25		-0145	-0785	-0945	1,25 & 49																																																																																																																																																																																																																						
2 X 26		-0146	-0786	-0946	1,25 & 51																																																																																																																																																																																																																						
2 X 27		-0147	-0787	-0947	1,27 & 53																																																																																																																																																																																																																						
2 X 28		-0148	-0788	-0948	1,27 & 55																																																																																																																																																																																																																						
2 X 29		-0149	-0789	-0949	1,29 & 57																																																																																																																																																																																																																						
2 X 30		-0150	-0790	-0950	1,29 & 59																																																																																																																																																																																																																						
2 X 31		-0151	-0791	-0951	1,31 & 61																																																																																																																																																																																																																						
2 X 32		-0152	-0792	-0952	1,31 & 63																																																																																																																																																																																																																						
2 X 33		-0153	-0793	-0953	1,33 & 65																																																																																																																																																																																																																						
2 X 34		-0154	-0794	-0954	1,33 & 67																																																																																																																																																																																																																						
2 X 35		-0155	-0795	-0955	1,35 & 69																																																																																																																																																																																																																						
2 X 36		-0156	-0796	-0956	1,35 & 71																																																																																																																																																																																																																						
2 X 37		-0157	-0797	-0957	1,37 & 73																																																																																																																																																																																																																						
2 X 38		-0158	-0798	-0958	1,37 & 75																																																																																																																																																																																																																						
2 X 39	↓ -0159	↓ -0799	↓ -0959	1,39 & 77																																																																																																																																																																																																																							
2 X 40	90628 -0160	90628 -0800	90628 -0960	1,39 & 79																																																																																																																																																																																																																							
E																																																																																																																																																																																																																											
D																																																																																																																																																																																																																											
C																																																																																																																																																																																																																											
B																																																																																																																																																																																																																											
A																																																																																																																																																																																																																											

NOTES:
 I. FOR PLATING VARIATIONS SEE
 ENG.STD. SDES-99000-0003.

FOR PREVIOUS DRAWING ISSUES SEE MRI.

SEE SHEET I.

REVISIONS	DIMENSIONS SHOWN (METRIC) INCH	
	UNLESS OTHERWISE SPECIFIED TOLERANCES: ANGULAR ± 1/2°	
	INCH	(METRIC)
	3 PLACE ± .	
	2 PLACE ± .	±
	1 PLACE ±	±
	DRAFT WHERE APPLICABLE MUST REMAIN WITHIN DIMENSIONS	
	DESIGN DIMENSION	<input checked="" type="checkbox"/> (MM)
	(PRIMARY)	<input type="checkbox"/> IN.
	EQUIVALENT DIMENSION	<input type="checkbox"/> (MM)
	(SECONDARY)	<input checked="" type="checkbox"/> IN.

DRWG BY	RD
CHK'D BY	
APP'D BY	
SCALE	

REVISE ONLY ON CAD SYSTEM		SH.	REV.
CAD/CAM FILENAME SA90628X2 DCN	THIS DRAWING CONTAINS INFORMATION THAT IS PROPRIETARY TO MOLEX INC. & SHOULD NOT BE USED WITHOUT WRITTEN PERMISSION		
C-GRID III DUAL ROW KINKED PIN HEADER			
MOLEX EUROPE		SHEET NO.	DATE
PART NO. SEE CHART		20F	90/09/11
DWG NO. SDA-90628		SIZE B	