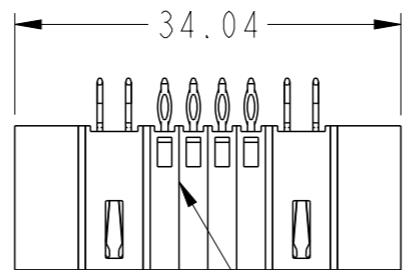
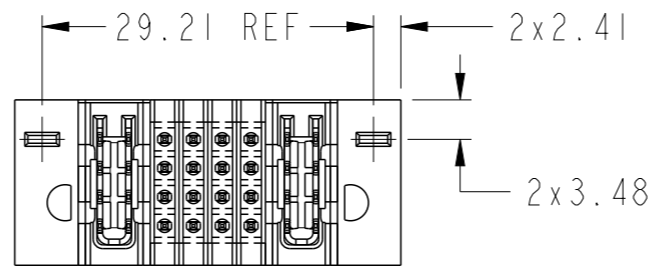
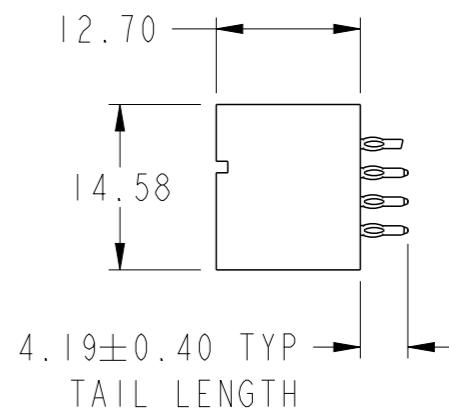
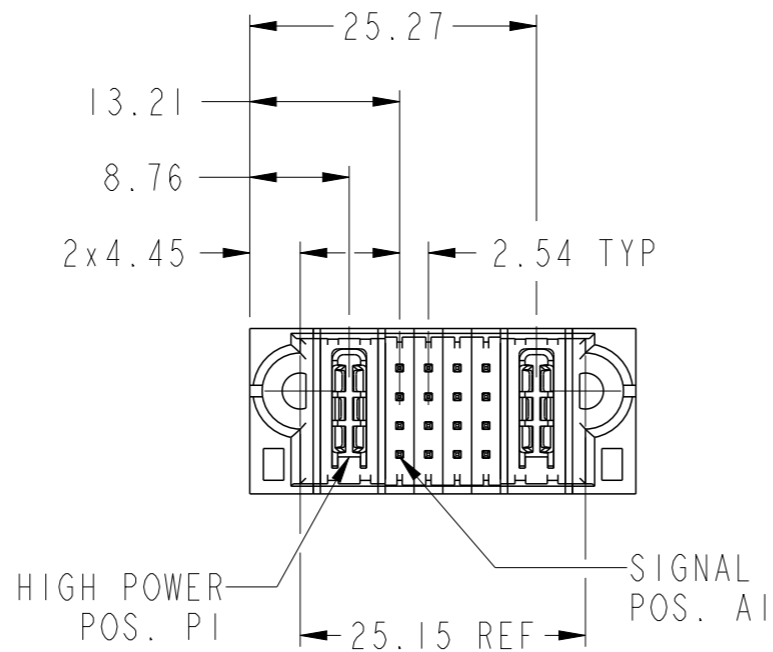


PART NUMBER SEE SHEET 2



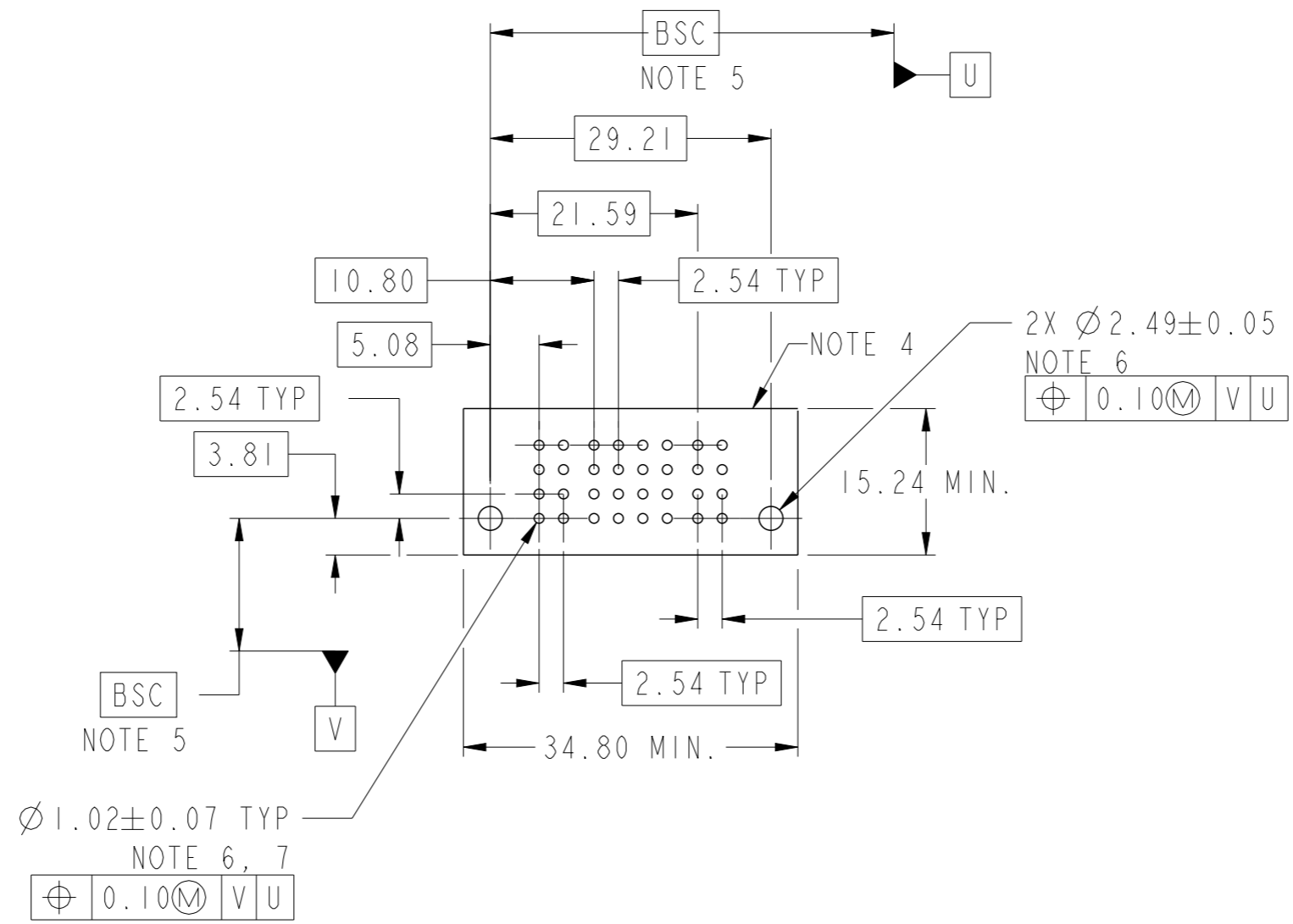
NOTE 1



spec ref	*	dr	Rainbow Zhan	2014/06/19	projection	MM	size	A3	scale	3:2	
tolerance std	ASME Y14.5	eng	Rainbow Zhan	2014/08/15			ecn no		-		
TOLERANCES UNLESS OTHERWISE SPECIFIED		chr	Li-He	2014/08/14			product family		PwrBlade+		rel level
surface	<input checked="" type="checkbox"/> linear <input type="checkbox"/> angular	appr	Pei-Ming Zheng	2014/08/15				IHP + 16S + IHP VERTICAL PF HEADER		dwg no 10106267-2004001	rev A
ASME Y14.5	linear: 0.X ±0.5, 0.XX ±0.25, 0.XXX ±0.10 angular: 0° ±2°	www.fci.com		cat. no.	Product - Customer Drw			sheet 1 of 3			

PRODUCT NO.	ROWS	HP		SIGNAL				HP	
		E1	P1	1	2	3	4	P2	E2
10106267-2004001LF	DCBA		H4	G	G	G	G	H4	

CODE	DESCRIPTION
G	STD SIGNAL CONTACT
H4	STD HIGH POWER CONTACT



Copyright FCI.

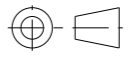
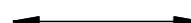

dr	Rainbow Zhan	2014/06/19	projection	MM	size	A3	scale	3:2			
eng	Rainbow Zhan	2014/08/15		← →	ecn no	-	rel level	Released			
chr	Li-He	2014/08/14									
appr	Pei-Ming Zheng	2014/08/15	product family	PwrBlade+							
			title		IHP + 16S + IHP		dwg no		10106267-2004001	rev	A
www.fci.com			cat. no.		Product - Customer Drw			sheet 2 of 3			

NOTES:

- 1) "FCI", PART NUMBER AND DATE CODE TO BE MARKED ON THIS SURFACE.
THE MARK CAN BE OMITTED IF THERE IS NOT ENOUGH SPACE ON THIS SURFACE.
- 2) MATERIALS:
-HOUSING - GLASS FILLED WITH HIGH TEMP THERMOPLASTIC, UL94V-0.
-SIGNAL CONTACT - COPPER ALLOY.
-POWER CONTACT - HIGH CONDUCTIVITY COPPER ALLOY.
- 3) PLATING SPECIFICATION REFER TO FCI 10116351
- 4) DENOTES CONNECTOR KEEP OUT ZONE.
- 5) DATUM AND BASIC DIMENIONS WERE ESTABLISHED BY CUSTOMER.
- 6) ALL HOLE DIAMETERS ARE FINISHED HOLE SIZES.
- 7) 1.15±0.025MM DRILLED HOLE PLATED WITH 0.00762MM MIN Sn
OVER 0.0254-0.0762MM Cu PLATING TO ACHIEVE A 1.02±0.07MM HOLE.
- 8) PRODUCT SPECIFICATION REFER TO FCI GS-12-658.
APPLICATION SPECIFICATION REFER TO FCI GS-20-141.
PRODUCT PACKAGED IN TRAYS, REFER TO FCI GS-14-1502.



Copyright FCI.

dr	Rainbow Zhan	2014/06/19	projection 	MM 	size	A3	scale	3:2
eng	Rainbow Zhan	2014/08/15			ecn no	-		
chr	Li-He	2014/08/14			product family	PwrBlade+	rel level	Released
appr	Pei-Ming Zheng	2014/08/15			 title IHP + 16S + IHP VERTICAL PF HEADER		dwg no 10106267-2004001	rev A
www.fci.com		cat. no.	Product - Customer Drw		sheet 3 of 3			