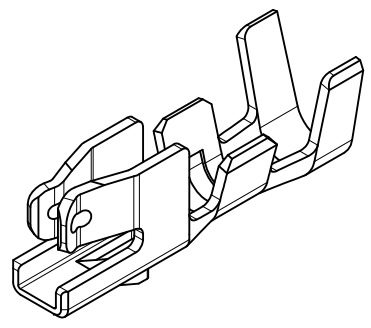


**NOTES**

1. APPLICABLE HOUSING : 104138-1400
2. MATERIAL : PHOSPHOR BRONZE
3. FINISH : PRE-TIN OVER COPPER PLATED
4. APPLICABLE WIRE RANGE: AWG#30 -#32'



**ORDER NUMBER 104547-8003**

<b>NEW RELEASED</b> EC NO: KOR2012-0112 DRWN: IHYOU CHKD: SH. CHU APPR: YSK1M02	DESCRIPTION 2012/04/25 2012/04/21	QUALITY SYMBOLS		GENERAL TOLERANCES (UNLESS SPECIFIED) mm INCH 4 PLACES ± --- ± --- 3 PLACES ± --- ± --- 2 PLACES ± 0.20 ± --- 1 PLACE ± 0.25 ± --- ANGULAR ± 1 °	DIMENSION STYLE		SCALE 15:1 DESIGN UNITS METRIC THIRD ANGLE PROJECTION	ORDER NUMBER 104547-8003			
		▽=0 Ⓢ=0			MM ONLY			TITLE		1.0 W-T-B CONN.-14P CRIMP RECEPTACLE TER'L	
		DRAWN BY DATE			DRAWN BY DATE			APPROVED BY DATE		MATERIAL NO. DOCUMENT NO.	
		I.H. YOU 2011/04/30			SH. CHU 2011/04/30			YSK1M02 2012/04/25		1045478003 SD-104547-001	
DRAFT WHERE APPLICABLE MUST REMAIN WITHIN DIMENSIONS		SIZE A3		THIS DRAWING CONTAINS INFORMATION THAT IS PROPRIETARY TO MOLEX INCORPORATED AND SHOULD NOT BE USED WITHOUT WRITTEN PERMISSION							