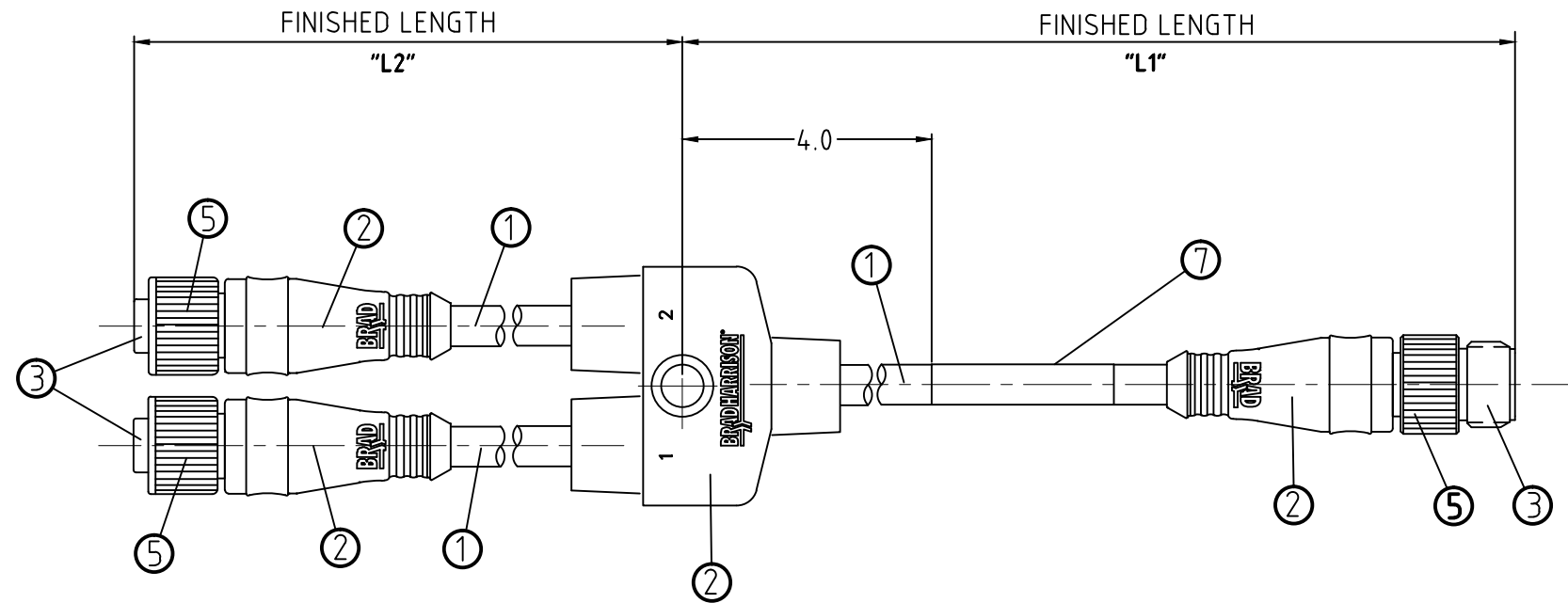
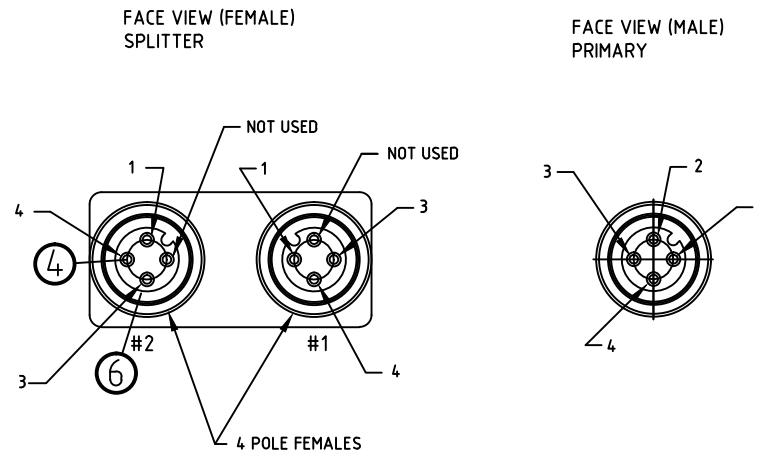
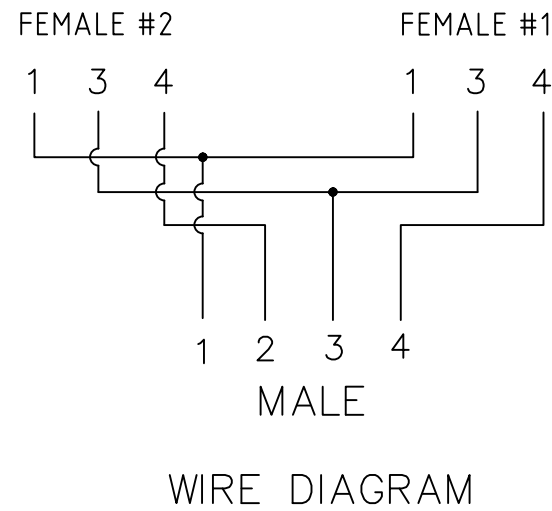


MATERIAL NUMBER	ENGINEERING NUMBER	FINISHED LENGTH
1200680250	884F30K05M05M03	L1 = 1.64' +1.75" -0 [0.5M +44.5 -0] L2 = 0.98' +0.75" -0 [0.3M +19.1 -0]



- NOTES:
1. MATERIAL: AS NOTED
  2. FINISH: AS NOTED
  3. ELECTRICAL:  
VOLTAGE: 250V  
CURRENT: 4A
  4. TEMP RATING: -25°TO +105°C
  5. PROTECTION: IP67 (WHEN MATED)
  6. COUPLING THREAD: M12 X 1.0
  7. UL RECOGNIZED FILE: E152210
  8. ALL DIMS ARE FOR REFERENCE UNLESS TOLERANCED OR NOTED OTHERWISE



CABLE FLEX CHARACTERISTICS

TORSIONAL FLEX TEST	10 MILLION CYCLES PER MIL-C-13777G
BEND FLEX TEST	10 MILLION CYCLES PER MIL-C-13777G
WELD SLAG RESISTANCE	WOODHEAD STANDARD S-300

ITEM	COMPONENT	MATERIAL	FINISH
7	LABEL	VINYL	BLACK/YELLOW
6	O-RING	VITON	RED
5	COUPLER	BRASS	NICKEL PLATED
4	PIN CONTACT	COPPER ALLOY	GOLD OVER NICKEL
3	INSERT	PUR	BLACK
2	OVERMOLD	TPE	YELLOW
1	CABLE #22/4(CuSTR) 4 CONDUCT. 300V, 105° FLEX, WELD SLAG RES, FT4	JACKET: TPE	YELLOW

REVD NOTES: VOLTS WAS 300, ADD FLEX EC NO: IPG2019-0536 DRWN: RSTONE 6/4/19 CHKD: M ZIELIN 2019/06/06 APPR: BWOODMAN 2010/02/18	QUALITY SYMBOLS ▽=0 ∇=0	GENERAL TOLERANCES (UNLESS SPECIFIED)		DIMENSION STYLE INCH/MM		SCALE 2:1	DESIGN UNITS INCH	THIRD ANGLE PROJECTION		
		4 PLACES	±---	±---	DRAWN BY BBRAUCH	DATE 2010/02/15	TITLE <b>MIC INL. SPLITTER XM            4P FE STR (2X) TO 4P M</b>			
		3 PLACES	±---	±---	CHECKED BY NS	DATE 2010/02/16				
		2 PLACES	±---	±---	APPROVED BY NSTAUDIG		DATE 2010/02/18	<b>MOLEX INCORPORATED</b>		SHEET NO. 1 OF 1
1 PLACE	±---	±---	MATERIAL NO. SEE P/N TABLE		DOCUMENT NO. SD-120068-028					
DRAFT WHERE APPLICABLE MUST REMAIN WITHIN DIMENSIONS			ANGULAR ±---°		THIS DRAWING CONTAINS INFORMATION THAT IS PROPRIETARY TO MOLEX INCORPORATED AND SHOULD NOT BE USED WITHOUT WRITTEN PERMISSION					