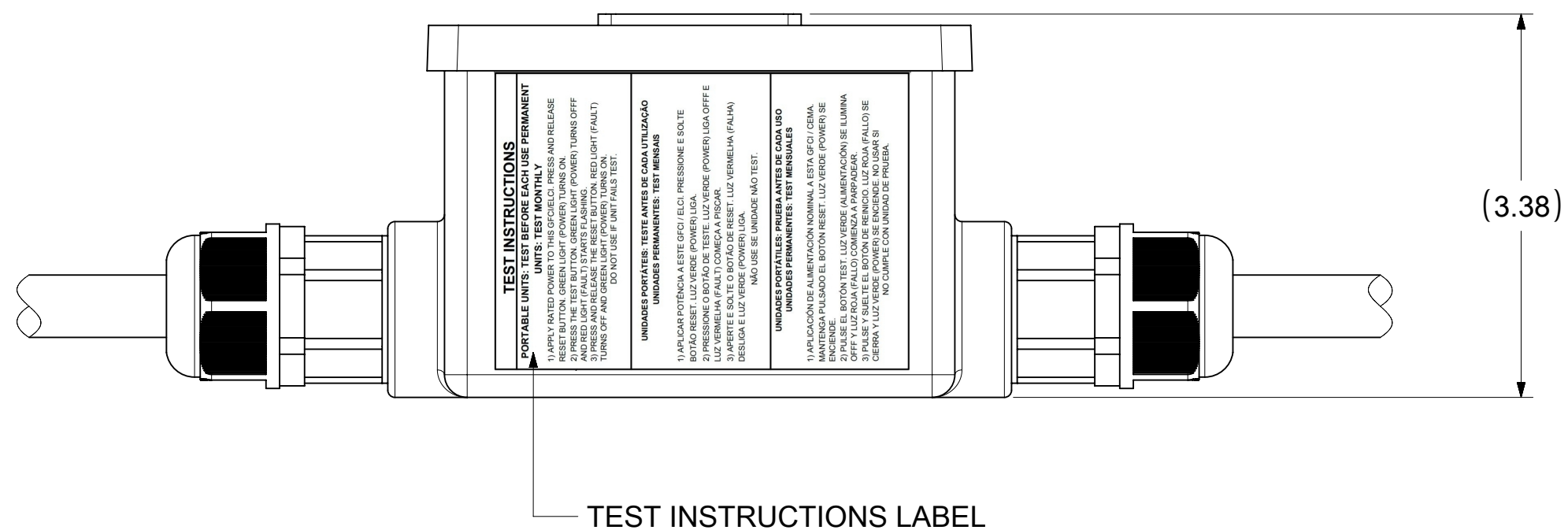
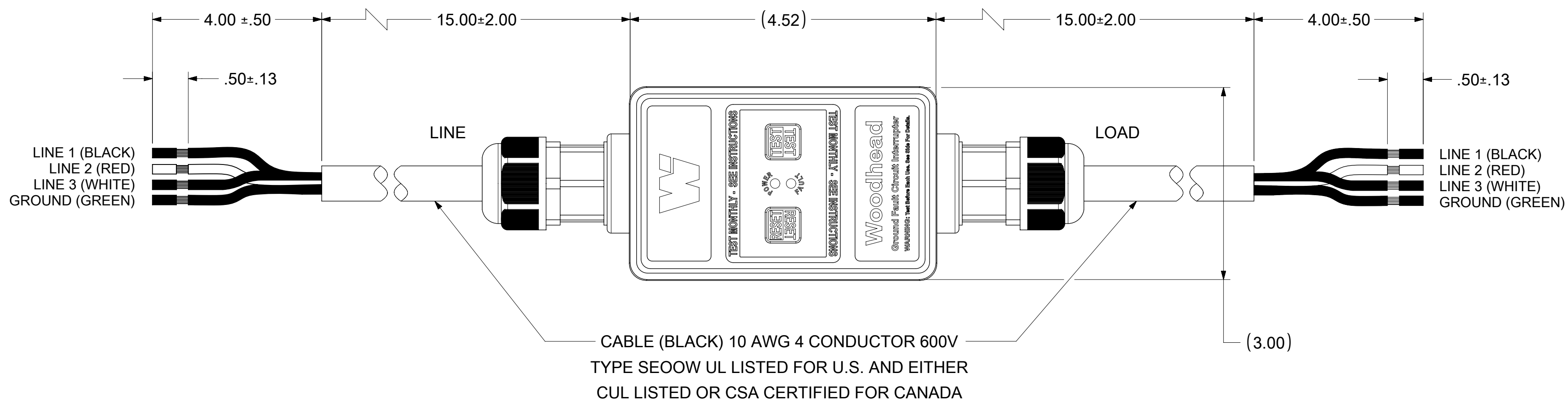


# THREE PHASE (NO NEUTRAL) (208 / 240 VOLTS) (4-WIRE)



## TECHNICAL

LISTED: UL & CSA  
 RATED SUPPLY VOLTAGE: 208/204VAC  
 RATED CURRENT: UP TO 30 AMPS  
 RESET TYPE: AUTOMATIC OR MANUAL  
 OPERATING FREQUENCY: 60 Hz  
 TYPE: CLASS A  
 GROUND TRIP CURRENT: 5mA +/- 1mA  
 OVERLOAD CURRENT: 180 AMPS, 0.45PF  
 INSULATION VOLTAGE: 1,500 VRMS - 1 MINUTE  
 ENDURANCE OPERATIONS: 3000 OPERATIONS  
 ENCLOSURE: NEMA 4X/6P

RESET TYPE	MATERIAL NO.	ENGINEERING NO.	NORTH SHORE SAFETY NO	PHASE	RATED VOLTAGE
MANUAL	1301530248	30053-0M3P	PGFI-730AN	THREE PHASE	240 VAC
	1301530249	30053-0M2P	PGFI-830AN	THREE PHASE	208 VAC
AUTOMATIC	1301530252	30053-0A3P	PGFI-731AN	THREE PHASE	240 VAC
	1301530253	30053-0A2P	PGFI-831AN	THREE PHASE	208 VAC

THIS DRAWING CONTAINS INFORMATION THAT IS PROPRIETARY TO MOLEX ELECTRONIC TECHNOLOGIES, LLC AND SHOULD NOT BE USED WITHOUT WRITTEN PERMISSION

FUNCTIONAL SYMBOLS: FA=0, FC=0, FP=0

DIMENSION UNITS: INCH, SCALE: NTS

GENERAL TOLERANCES (UNLESS SPECIFIED): 4 PLACES ±, 3 PLACES ±, 2 PLACES ±, 1 PLACE ±, 0 PLACES ±

ANGULAR TOL: °

DRAFT WHERE APPLICABLE MUST REMAIN WITHIN DIMENSIONS

THIRD ANGLE PROJECTION

CURRENT REV DESC: MIGRATION TO ECTR/NX

EC NO: 664991  
 DRWN: PPURSUTANDEL 2021/07/23  
 CHK'D: DNGUYEN62 2021/07/28  
 APPR: HKNEELAND 2021/07/29

INITIAL REVISION:  
 DRWN: PPURSUTANDEL 2021/07/23  
 APPR: HKNEELAND 2021/07/29

PRODUCT CUSTOMER DRAWING

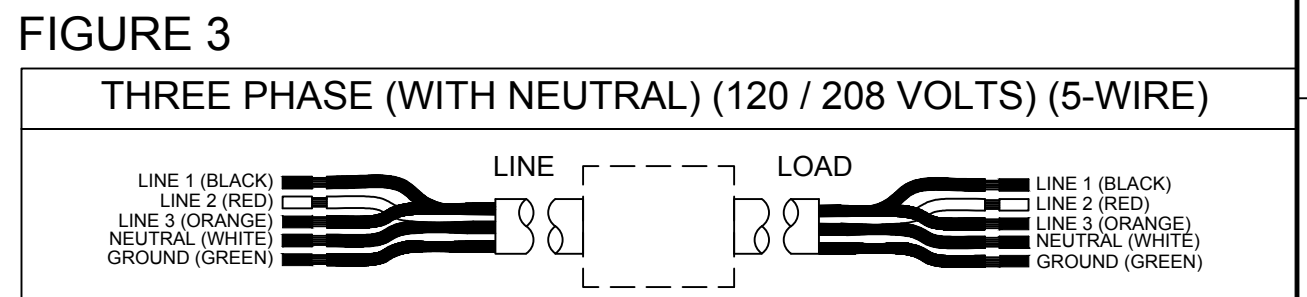
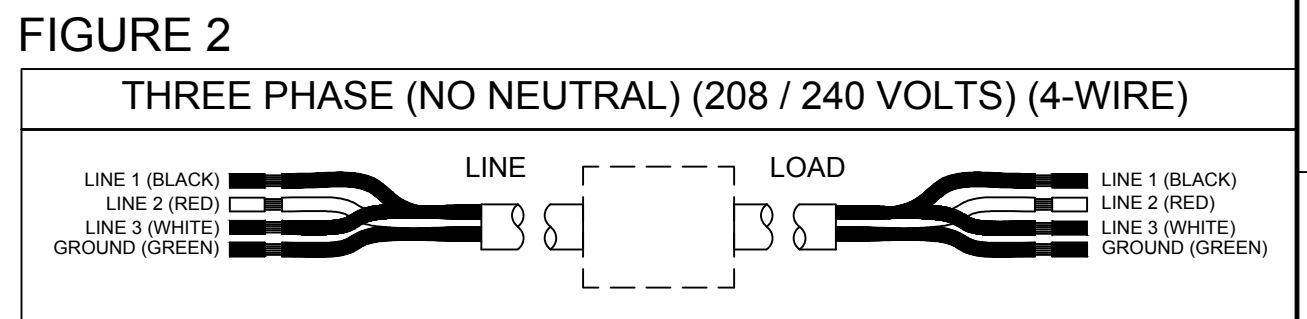
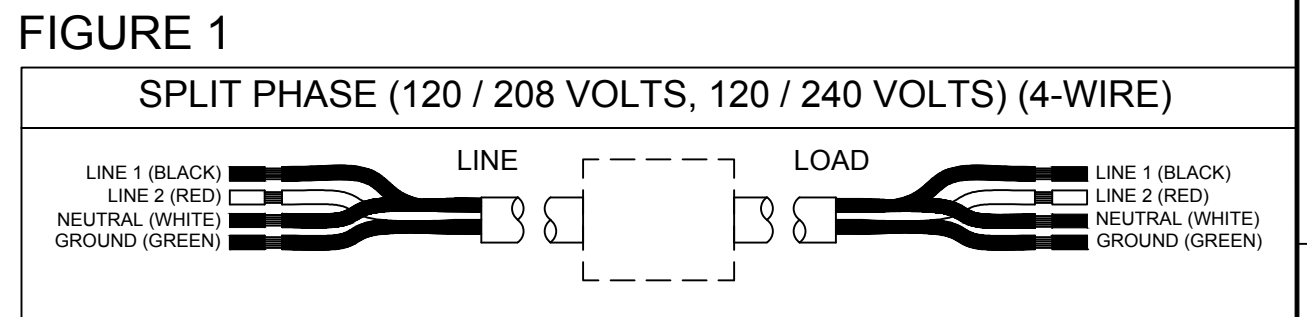
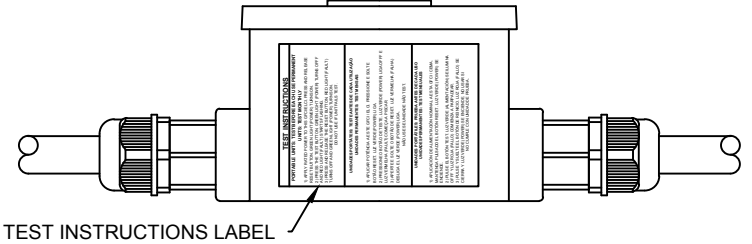
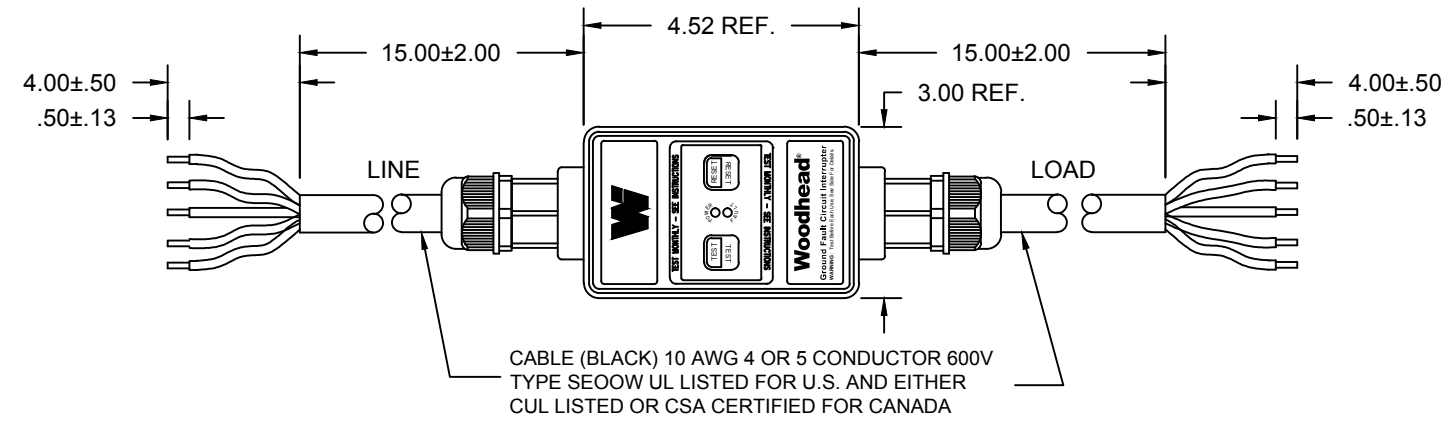
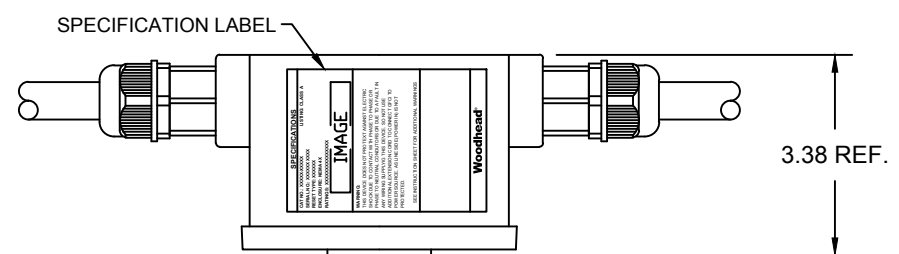
DOCUMENT NUMBER: 1301530248  
 DOC TYPE: PSD  
 DOC PART: 000  
 REVISION: B2

MATERIAL NUMBER: SEE TABLE  
 CUSTOMER: GENERAL MARKET  
 SHEET NUMBER: 1 OF 1

OLD DOCUMENT NO. SD-130153-040

**TECHNICAL:**  
**RATED VOLTAGE:** 120VAC, 208VAC, 240VAC, 277VAC, 120/240VAC, 120/208VAC Dual Voltage, 120/208VAC 3Ø, 208VAC 3Ø, 240VAC 3Ø (277VAC non-U.L.)  
**OPERATING VOLTAGE RANGE:** 85% TO 110% OF RATED  
**CURRENT:** UP TO 30 AMPS OR WIRING DEVICE RATING  
**FREQUENCY:** 60Hz, 50Hz (AVAILABLE non-UL)  
**TRIP LEVEL:** 5 ± 1mA  
**PHASE:** SINGLE, DUAL VOLTAGE, AND THREE-PHASE  
**RESPONSE TIME:** 25 mS MAX. @500 OHM FAULT  
**DIELECTRIC WITHSTAND:** 1500 VRMS ACROSS CONTACT  
 4000 VRMS BETWEEN CONDUCTORS AND ENCLOSURE  
**SURGE WITHSTAND:** 6000V IMPULSE, 0.5 MICROSECOND RISE TIME 100KHZ RINGING FREQUENCY WITH 40% DECAY PER CYCLE  
**OPERATING TEMPERATURE RANGE:** -35°C TO +66°C (-31°F TO +151°F)  
**LEAKAGE CURRENT @ 93% HUMIDITY:** ZERO  
**OVERLOAD CURRENT:** 180 AMPS, 50% INDUCTIVE (25 CYCLES)  
**RF NOISE SUSCEPTIBILITY:** NORMAL OPERATION WITH 0.5 VRMS INJECTED ON POWER LINE WITH FREQUENCIES UP TO 450 MHz  
**CURRENT FILTERS:** SPECIFICALLY FILTERED TO MINIMIZE NUISANCE TRIPS IN WELDING, VARIABLE FREQUENCY DRIVE AND OTHER 'ELECTRICALLY NOISY' APPLICATIONS  
**LET GO LINE VOLTAGE:** 60% OF RATED  
**GROUNDING NEUTRAL DETECTION:** 2 OHMS OR LESS (ON APPLICABLE MODELS ONLY)

**GENERAL:**  
**CONSTRUCTION:** INDUSTRIAL GRADE DESIGN  
**TYPE:** CLASS A  
**POWER-UP TYPE:** AUTO OR MANUAL  
**ENDURANCE:** 5000 OPERATIONS MINIMUM AT RATED LOAD  
**OPEN NEUTRAL PROTECTION:** TRIPS UPON LOSS OF NEUTRAL (ON APPLICABLE MODELS ONLY)  
**GROUNDING NEUTRAL PROTECTION:** TRIPS IF GROUND AND NEUTRAL TOUCH AT LOAD SIDE (ON APPLICABLE MODELS ONLY)  
**POWER ON INDICATION:** LIGHTED GREEN LED  
**POWER OFF INDICATION:** BLINKING RED LED, PLUS OPTIONAL ANNUNCIATOR OF AC/DC OUTPUTS (ON APPLICABLE MODELS ONLY)  
**ENCLOSURE:** NEMA 4X/P6  
**MOUNTING TYPE:** PANEL, SURFACE AND PORTABLE  
**WIRING APPLICATION:** 3,4,5 WIRE SINGLE, SPLIT, AND 3-PHASE  
**WIRING CONNECTIONS:** PORTABLE (IN-LINE) AND PERMANENT (FIXED MOUNT) (SEE WIRING INSTRUCTIONS)  
**SWITCH INTERFACE:** DOUBLE INSULATED  
**LATCHING MECHANISM:** ELECTROMAGNETIC  
**FALSE TRIP DUE TO IMPACT:** NONE  
**AGENCY APPROVAL:** cULus, CSA, CSAus and cCSAus (U.L.943 and CSA C22.2 No. 144) (277VAC non-U.L.)



RESET TYPE	MATERIAL NO.	ENGINEERING NO.	PHASE	FIGURE
MANUAL	1301530247	30053-0M6P	SPLIT PHASE	FIGURE 1
	1301530248	30053-0M3P	THREE PHASE	FIGURE 2
	1301530249	30053-0M2P	THREE PHASE	FIGURE 2
	1301530250	30053-0M5P	THREE PHASE W/ NEUTRAL	FIGURE 3
AUTOMATIC	1301530251	30053-0A6P	SPLIT PHASE	FIGURE 1
	1301530252	30053-0A3P	THREE PHASE	FIGURE 2
	1301530253	30053-0A2P	THREE PHASE	FIGURE 2
	1301530254	30053-0A5P	THREE PHASE W/ NEUTRAL	FIGURE 3

UPDATED SPECS  
 EC NO: IPG2014-1788  
 DRWN: BARDEN 2014/04/14  
 CHKD: HKNEELAN 2014/04/30  
 APPR: JFMURPHY 2014/03/27

QUALITY SYMBOLS	GENERAL TOLERANCES (UNLESS SPECIFIED)		DIMENSION STYLE		SCALE	DESIGN UNITS	THIRD ANGLE PROJECTION
	mm	INCH	INCH		NTS	INCH	
▽=0 ▽C=0	4 PLACES	±---	±---		DRAWN BY	DATE	PORTABLE GFCI WITH LEADS 30AMP SPLIT & 3 PHASE #10/4&5 CABLE Molex MOLEX INCORPORATED
	3 PLACES	±---	±.005		CHECKED BY	DATE	
	2 PLACES	±0.13	±.010		APPROVED BY	DATE	
	1 PLACE	±0.25	±.020		JFMURPHY	2014/03/27	
	ANGULAR ±.5°				MATERIAL NO.		DOCUMENT NO.
DRAFT WHERE APPLICABLE MUST REMAIN WITHIN DIMENSIONS			SEE CHART		SD-130153-040		
	SIZE B	THIS DRAWING CONTAINS INFORMATION THAT IS PROPRIETARY TO MOLEX INCORPORATED AND SHOULD NOT BE USED WITHOUT WRITTEN PERMISSION					

REVISION	DESCRIPTION	TITLE	SHEET NO.
B		PORTABLE GFCI WITH LEADS 30AMP SPLIT & 3 PHASE #10/4&5 CABLE	1 OF 1