

## T distributor - SAC-3P-MINT/2XMIN VP - 1412393


Please be informed that the data shown in this PDF Document is generated from our Online Catalog. Please find the complete data in the user's documentation. Our General Terms of Use for Downloads are valid (<http://phoenixcontact.com/download>)



T distributor, 3-position, unshielded, Plug straight 7/8"-16UNF, on Socket straight 7/8"-16UNF and Socket straight 7/8"-16UNF, Parallel distributor

RoHS

### Key Commercial Data

|                                      |   |
|--------------------------------------|---|
| Packing unit                         | 1 pc  |
| Minimum order quantity               | 50 pc   |
| GTIN                                 | <br>4 046356 961479 |
| GTIN                                 | 4046356961479   |
| Weight per Piece (excluding packing) | 100.000 g   |
| Custom tariff number                 | 85366990  |
| Country of origin                    | Germany   |

### Technical data

#### Ambient conditions

|                                 |                                  |
|---------------------------------|----------------------------------|
| Ambient temperature (operation) | -40 °C ... 80 °C (Plug / socket) |
|                                 | -40 °C ... 80 °C (Plug / socket) |
| Degree of protection            | IP65                             |
|                                 | IP67                             |

#### General

|                       |                 |
|-----------------------|-----------------|
| Rated current at 40°C | 13 A (at 25 °C) |
| Rated voltage         | 600 V           |
| Number of positions   | 3               |
| Insulation resistance | ≥ 100 MΩ        |

# T distributor - SAC-3P-MINT/2XMIN VP - 1412393

## Technical data

### General

|                             |                          |
|-----------------------------|--------------------------|
| Status display              | No                       |
| Overvoltage category        | II                       |
| Degree of pollution         | 3                        |
| Insertion/withdrawal cycles | ≥ 100                    |
| Torque                      | 0.8 Nm (7/8" connectors) |

### Material

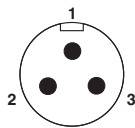
|  |                              |
|--|------------------------------|
| Flammability rating according to UL 94 | HB                           |
| Contact material                       | CuZn                         |
| Contact surface material               | AU                           |
| Contact carrier material               | TPE-U                        |
| Material of grip body                  | TPU                          |
| Material, knurls                       | Zinc die-cast, nickel-plated |
| Sealing material                       | TPU                          |

### Environmental Product Compliance

|            |   |
|------------|---|
| REACH SVHC | Lead 7439-92-1  |
| China RoHS | Environmentally Friendly Use Period = 50 years  |
|            | For details about hazardous substances go to tab "Downloads", Category "Manufacturer's declaration" |

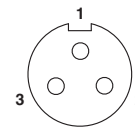
## Drawings

Schematic diagram



Pin assignment, plug, 7/8"-16UNF, 3-pos., view of male side

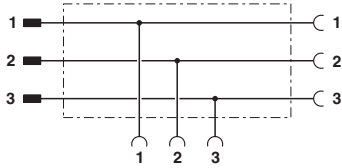
Schematic diagram



Pin assignment, socket, 7/8"-16UNF, 3-pos., view of female side

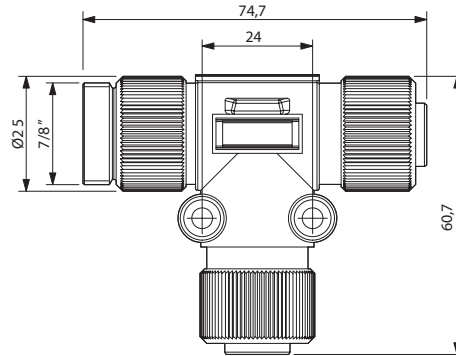
# T distributor - SAC-3P-MINT/2XMIN VP - 1412393

Circuit diagram



Contact assignment of the 7/8" T-distributor

Dimensional drawing



T-distributor 7/8", top view

## Classifications

eCl@ss

|               |          |
|---------------|----------|
| eCl@ss 10.0.1 | 27440106 |
| eCl@ss 11.0   | 27440106 |
| eCl@ss 4.0    | 27060300 |
| eCl@ss 4.1    | 27060300 |
| eCl@ss 5.0    | 27061800 |
| eCl@ss 5.1    | 27061800 |
| eCl@ss 6.0    | 27279200 |
| eCl@ss 7.0    | 27279218 |
| eCl@ss 9.0    | 27440106 |

ETIM

|          |          |
|----------|----------|
| ETIM 4.0 | EC001855 |
| ETIM 6.0 | EC002925 |
| ETIM 7.0 | EC002925 |

UNSPSC

|             |          |
|-------------|----------|
| UNSPSC 13.2 | 31251501 |
| UNSPSC 19.0 | 31251501 |
| UNSPSC 20.0 | 31251501 |
| UNSPSC 21.0 | 31251501 |

## Approvals

Approvals

# T distributor - SAC-3P-MINT/2XMIN VP - 1412393

## Approvals

Approvals

UL Listed / cUL Listed / EAC / EAC / cULus Listed

Ex Approvals

### Approval details

|                    |  |   |               |
|--------------------|--|---|---------------|
| UL Listed          |  | <a href="http://database.ul.com/cgi-bin/XYV/template/LISEXT/1FRAME/index.htm">http://database.ul.com/cgi-bin/XYV/template/LISEXT/1FRAME/index.htm</a> | FILE E 221474 |
|                    |  |   |               |
| Nominal voltage UN |  | 600 V   |               |
| Nominal current IN |  | 13 A  |               |

|                    |  |   |               |
|--------------------|--|---|---------------|
| cUL Listed         |  | <a href="http://database.ul.com/cgi-bin/XYV/template/LISEXT/1FRAME/index.htm">http://database.ul.com/cgi-bin/XYV/template/LISEXT/1FRAME/index.htm</a> | FILE E 221474 |
|                    |  |   |               |
| Nominal voltage UN |  | 600 V   |               |
| Nominal current IN |  | 13 A  |               |

|     |  |               |
|-----|--|---------------|
| EAC |  | EAC-Zulassung |
|-----|--|---------------|

|     |  |                          |
|-----|--|--------------------------|
| EAC |  | RU C-<br>DE.BL08.B.00511 |
|-----|--|--------------------------|

|              |  |  |
|--------------|--|--|
| cULus Listed |  |  |
|--------------|--|--|

## Accessories

Accessories

Plug for cable screw gland

## T distributor - SAC-3P-MINT/2XMIN VP - 1412393

### Accessories

Screw plug - PROT-MINMS-PA-CHAIN - 1430925

7/8" sealing cap made of plastic with fixing band, for sensor cables, for 7/8" sockets



---

### Protective cap

Sealing cap - PROT-MINFS-PA-CHAIN - 1430912

7/8" sealing cap made of plastic with fixing band, for sensor cables, for 7/8" connectors



---

### Screwdriver tools

Tool - SAC BIT MIN-D25 - 1212512

Nut for assembling 7/8" connectors with a knurl diameter of 25 mm, with 4 mm hexagonal drive



---

Adapter insert - TSD-M SAC-BIT ADAPTER - 1212600



Adapter bit for TSD-M...torque tools, E6.3-1/4" drive with 4 mm hexagon to accommodate SAC bits

---

### Terminal marking

## T distributor - SAC-3P-MINT/2XMIN VP - 1412393

### Accessories

Zack Marker strip, flat - ZBF 17:UNBEDRUCKT - 0815020



Zack Marker strip, flat, Strip, white, unlabeled, can be labeled with: PLOTMARK, CMS-P1-PLOTTER, mounting type: snapped, for terminal block width: 17 mm, lettering field size: 17 x 5.2 mm, Number of individual labels: 5

---

### Torque tool

Torque screwdriver - TSD 08 SAC - 1212597



Torque screw driver with preset torque of 0.8 Nm, with 4 mm hexagon for accommodating SAC bits, two-component handle with non-slip grip

---

Torque screwdriver - TSD-M 1,2NM - 1212224



Torque screw driver, accuracy as per EN ISO 6789 standard, adjustable from 0.3 - 1.2 Nm