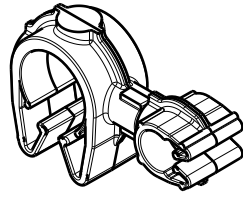
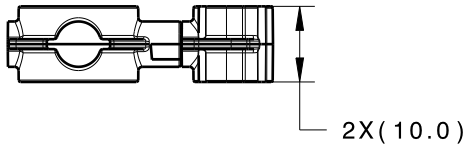
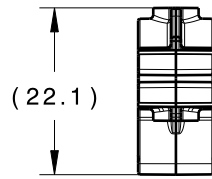
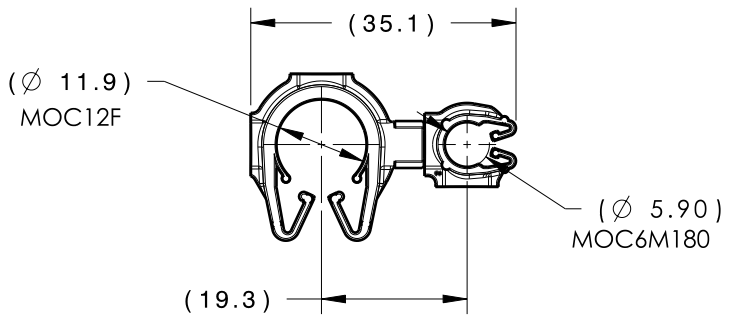


Revision Level			Revision Record	Changed	Date	Approved	Date
Drawing	State	Part					
00.1	Design Release	-	SEE ECN# 014773	TAT	11/30/2018	EJH	11/30/2018

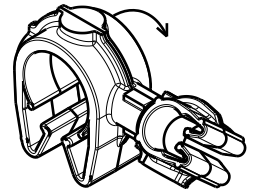


ISOMETRIC VIEW



CLIPS ROTATE 360 DEGREES

TYPE	MOC12F	MOC6M180
HARNESS	11.5MM - 13.0MM	5.5MM - 6.5MM
HOSE	10.5MM - 13.0MM	5.5MM - 6.5MM
HARD PIPE/TUBE	12.0MM - 13.8MM	6.0MM - 6.8MM



ISOMETRIC VIEW ROTATED

*RECOMMENDED SIZES MAY DIFFER DEPENDING ON THE APPLICATION , PRODUCT REQUIREMENTS AND MATERIALS USED

**PATENT PENDING 29/582,271

GLOBAL PART DESCRIPTION	MOC12F**			MOC6M180		
	DRAWING	MATERIAL	COLOR	DRAWING	MATERIAL	COLOR
MOC9FMOC26M180-PA66HIRHSUV-BK	16-0319-000-CSU	PA66HIRHSUV	BLACK	16-0314-000-CSU	PA66HIRHSUV	BLACK

Material SEE CHART COLOR: SEE CHART	Units	millimeters	The copyright of this drawing is reserved by HellermannTyton. It is issued on condition that it is not reproduced, copied or disclosed to a third party, either wholly or in part, without the consent of HellermannTyton.	Drawn	CJR	8/28/18	Article/Type-No MOC12FMOC6M180	Scale	1:1	
	Tolerance defined on each dimension	Approved		TAT	8/31/18	Title 12MM MOC COUPLED TO A 6MM MOC M180		Project Number	16-0330	
		 North America Email: corp@htamericas.com Web: www.hellermann.tyton.com			Drawing-No		PRODUCTION : Phase	Format	AH	
					16-0330-319-CSU		Sheet	1/1		