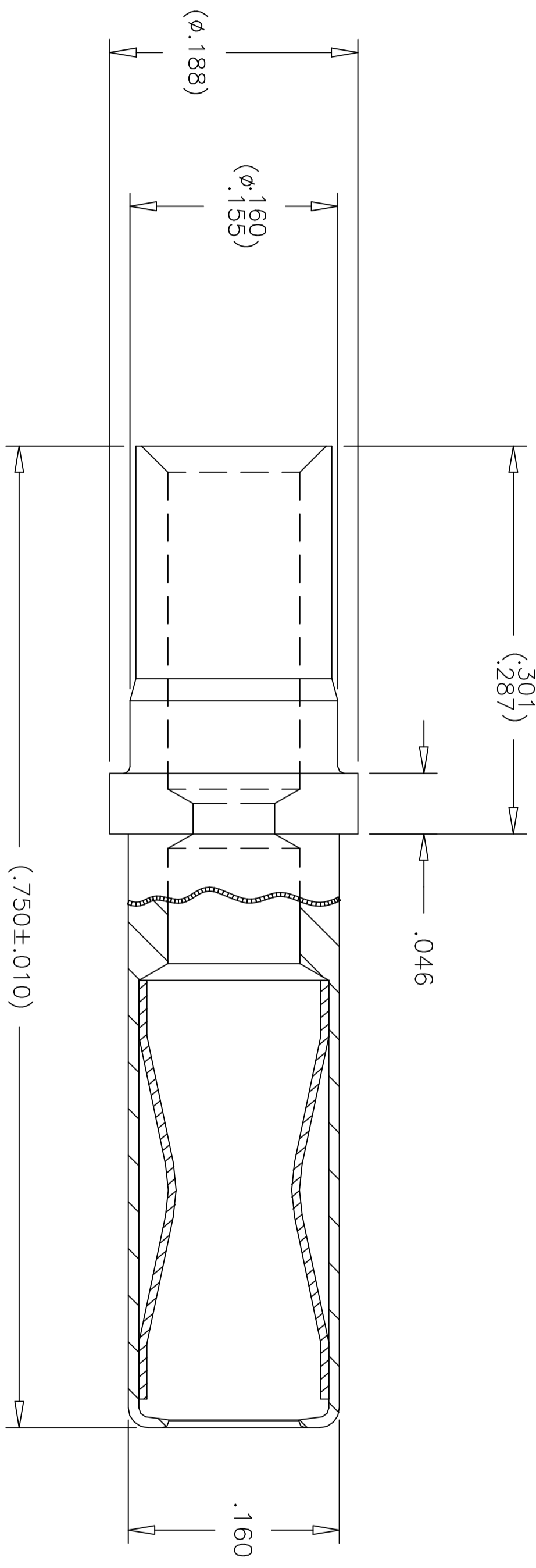


REVISIONS				
P	LR	DESCRIPTION	DATE	DMN / APVD
A		INITIAL RELEASE	08MAR18	OL / SZ



4. FINISHES:
 SOCKET BODY: GOLDED PLATED
 CROWN: GOLD PLATED

3. MATERIALS:
 SOCKET BODY: COPPER ALLOY
 CROWN: BeCu

2. ITEMS PROVIDED TO THIS SPECIFICATION SHALL BE IDENTIFIED WITH THE FOLLOWING MINIMUM INFORMATION ON THE SHIPPING PACKAGE MFG IDENT, PART NUMBER AND DATE CODE OF MANUFACTURE.

1. PART NUMBER/DESIGN CHANGES AFFECTING ITEM INTERCHANGEABILITY REQUIRE PRIOR TE CONNECTIVITY APPROVAL AND AUTHORIZATION BY REVISION TO THIS DRAWING

1648318-2

A

B

C

D

THIS DRAWING IS A CONTROLLED DOCUMENT.

DMN ORLANDO, LI

CHK SUNNY ZHAO

APVD SUNNY ZHAO

PRODUCT SPEC 108-2285

APPLICATION SPEC 114-13206

WEIGHT -

MATERIAL -

FINISH -

ANGLES -

3 PIC ± .010

2 PIC ± .02

1 PIC ± -

0 PIC ± -



DIMENSIONS:
INCHES

TOLERANCES UNLESS OTHERWISE SPECIFIED:



TE Connectivity

CONTACT, SOCKET, SIZE#12

CRIMP REMOVABLE

702-32-01109

DRAWING NO

1648318

SCALE 1:1

SHEET 1 of 1

REV A

RESTRICTED TO

SIZE A2

CAGE CODE

00779

DRAWING NO

1648318

SCALE

1:1

SHEET

1 of 1

REV

A

B

C

D