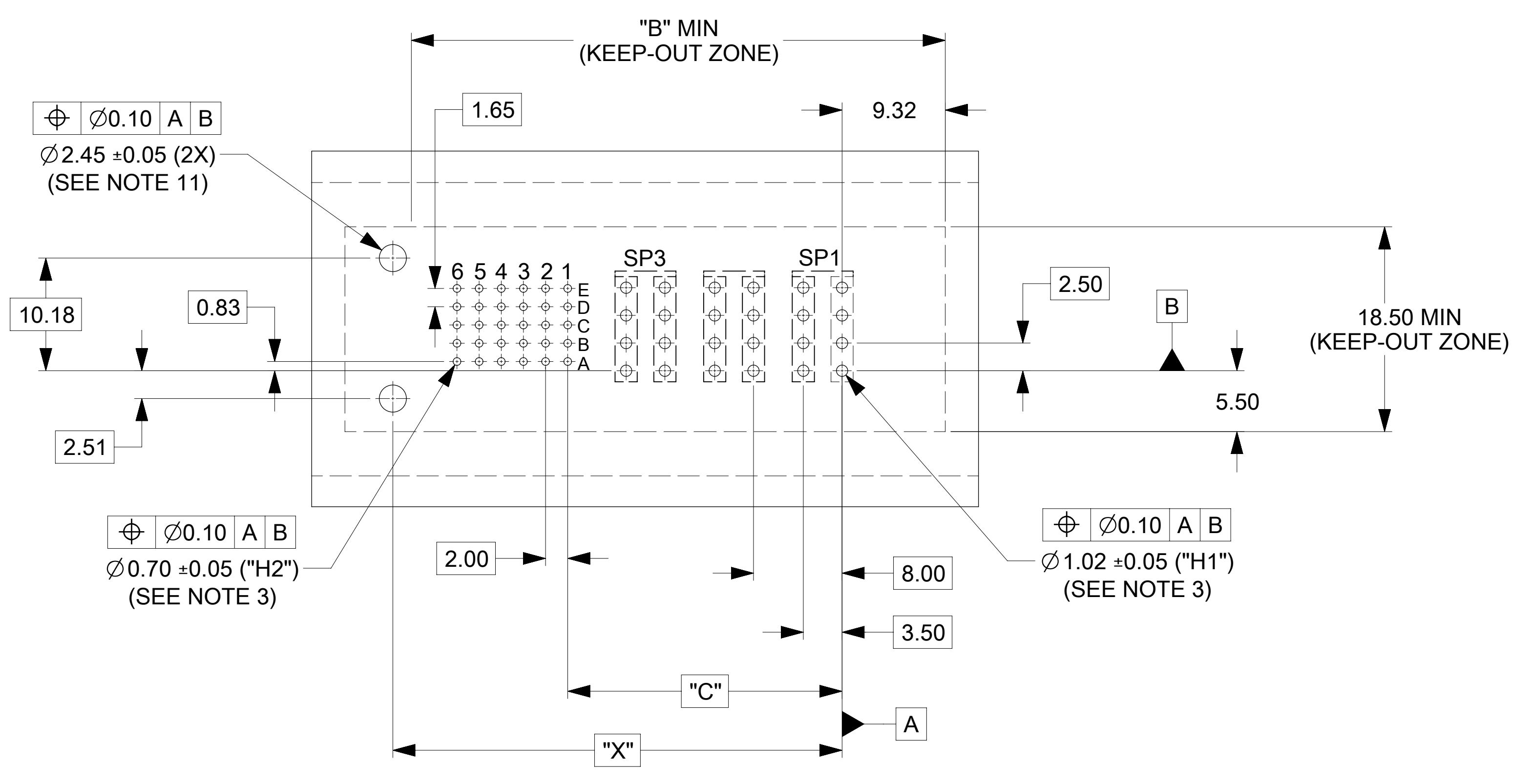
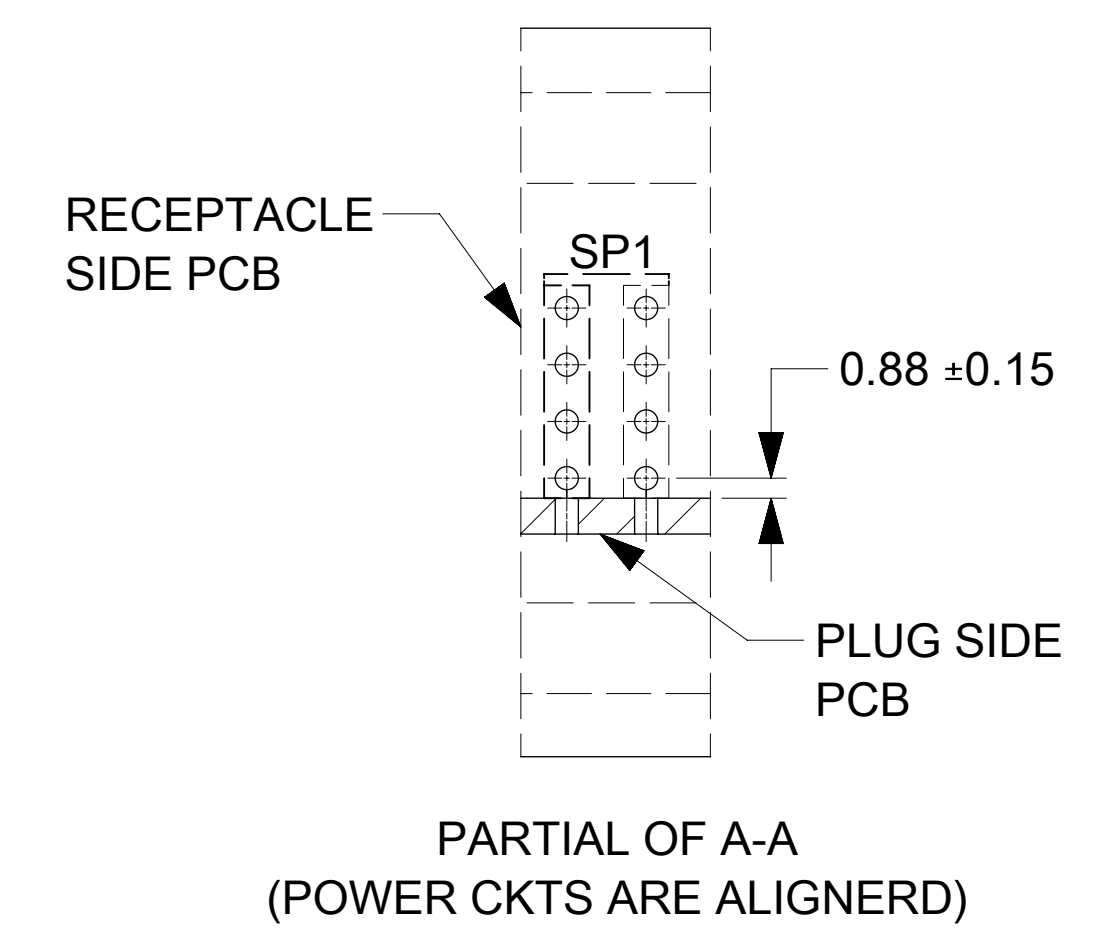
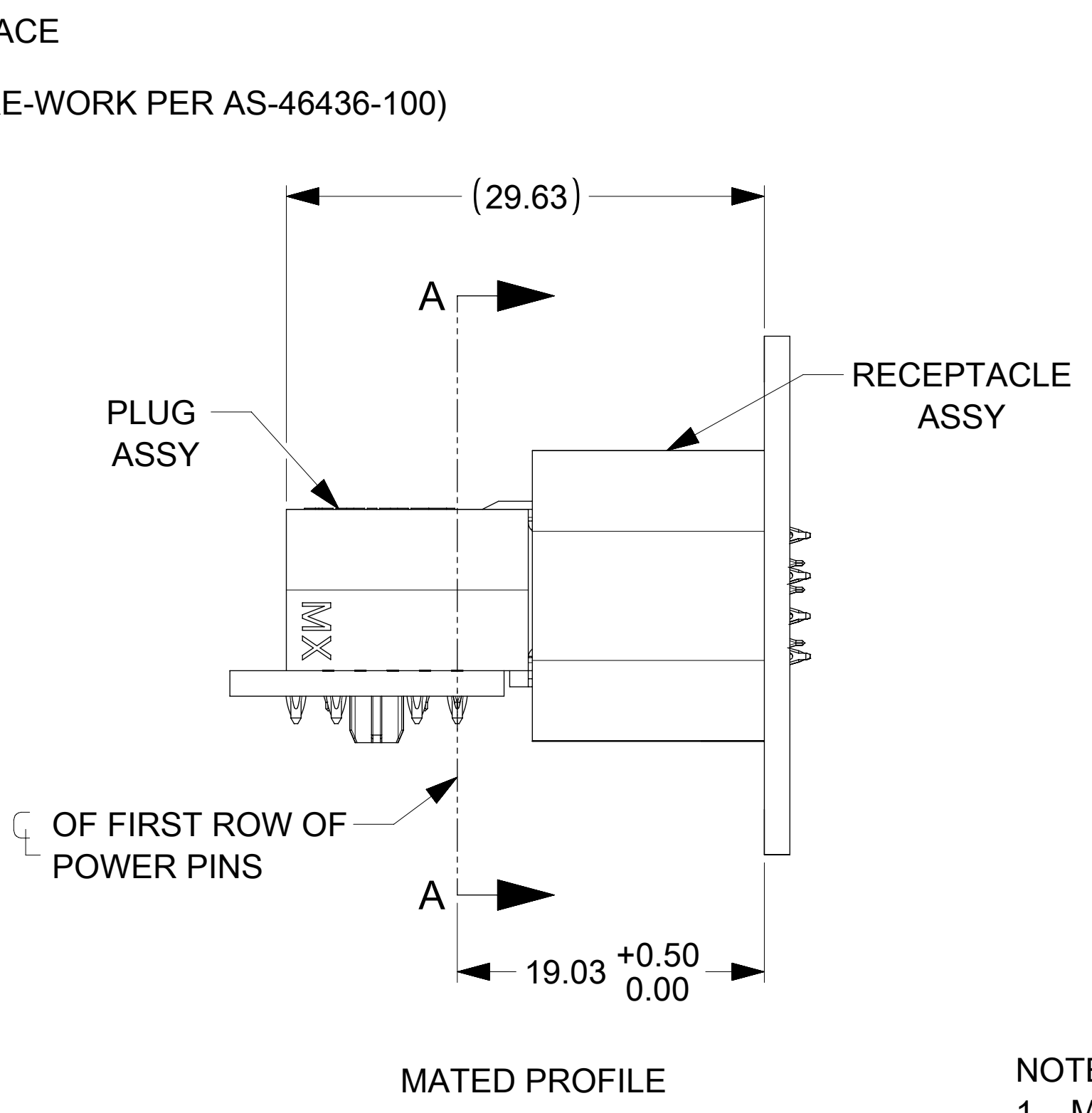
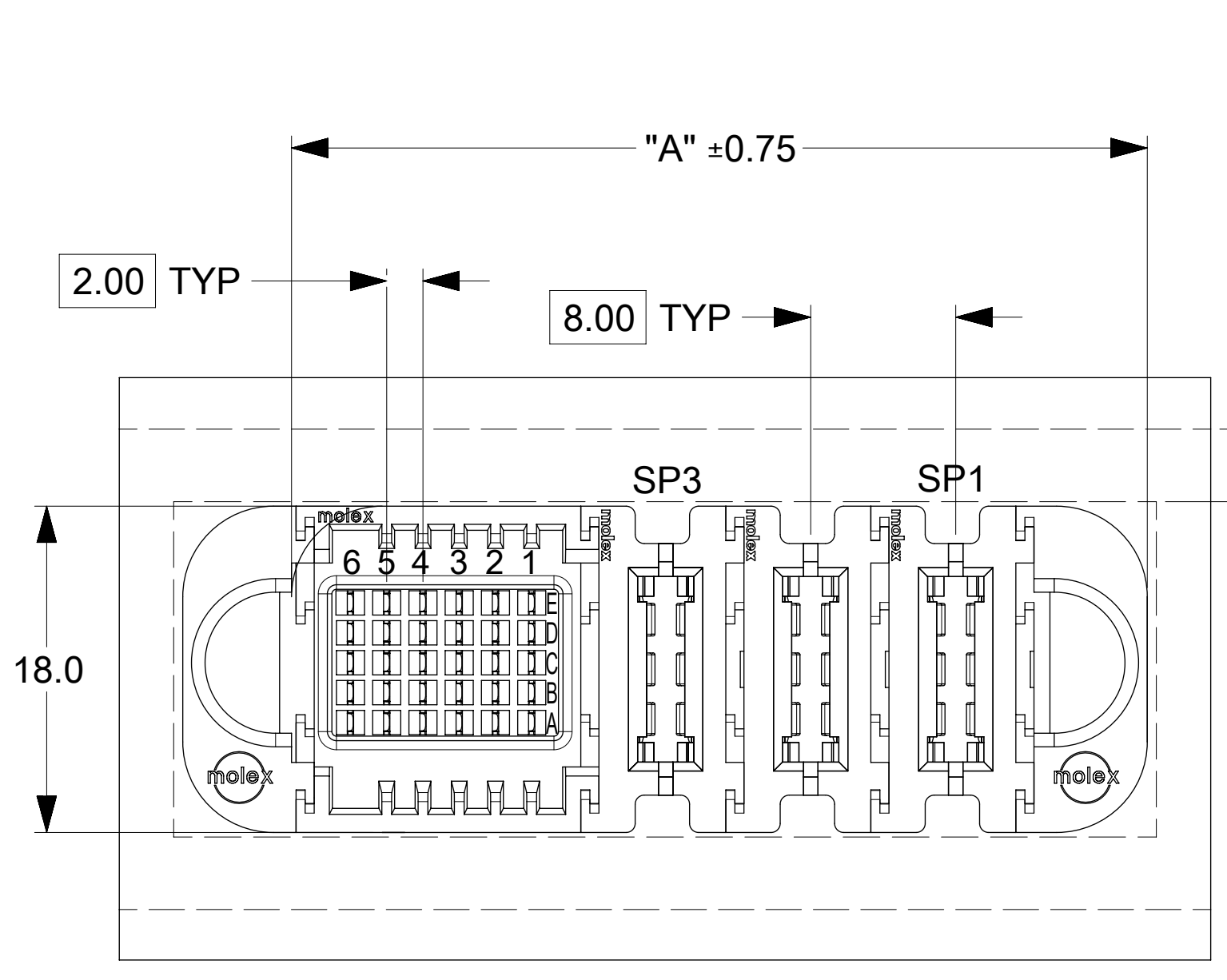
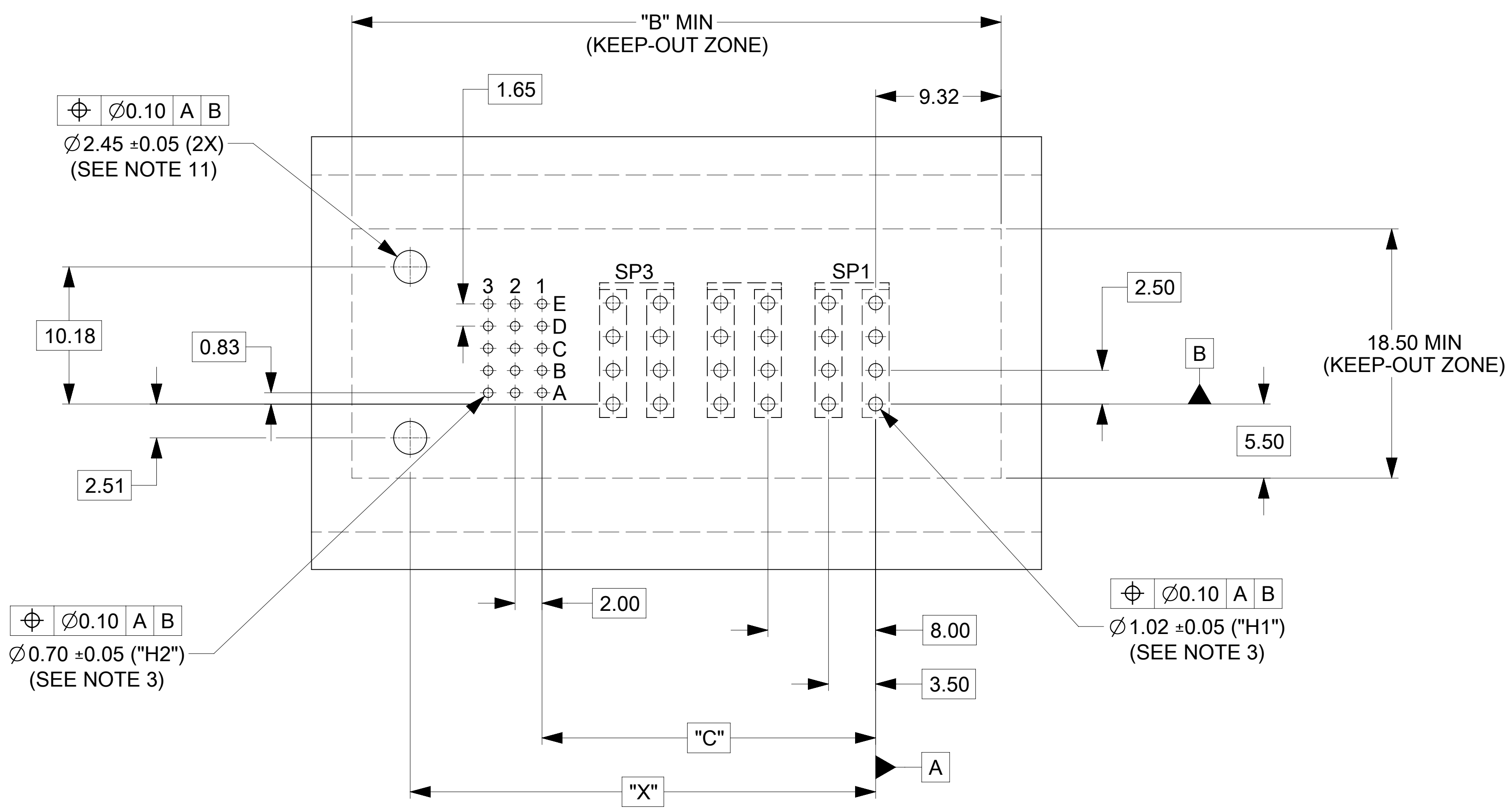


P/N: 171089-8418 (G-3SP-30S-G)



- NOTES:
- MATERIAL:
    - HOUSINGS: LCP UL94, V-0, COLOR: BLACK
    - TERMINALS: HIGH CONDUCTIVITY COPPER ALLOY
    - PLATING: 1.27 MICROMETER (50 MICROINCH) NICKEL OVERALL WITH 2.54 MICROMETER (100 MICROINCH) SELECTIVE TIN ON TAILS AND 0.762 MICROMETER (30 MICROINCH) SELECTIVE GOLD ON CONTACT AREA
  - PACKAGING: ASSEMBLIES TO BE TRAY PACKED PER PACKAGING SPEC: 1710891001-PK
  - PLATED THRU HOLE SIZE, REFER TO PS-171088-0000 FOR DETAILS
  - PRODUCT SPEC: PS-171088-0000
  - APPLICATION SPEC: AS-46436-100
  - PRODUCT TO MEET RoHS REQUIREMENTS
  - ASSEMBLY MATES TO MOLEX PLUG ASSEMBLY P/N 171088-\*\*\*\* (SEE TABLE IN SHEET 2).
  - TAIL DESIGN: COMPLIANT PINS
  - POWER AND SIGNAL CONTACTS ARE LUBRICATED.
  - MOLEX LOGO TO BE LOCATED APPROXIMATELY AS SHOWN.
  - FOR USE WITH 2-32 TYPE AB SELF THREADING SCREWS, SCREW LENGTH OF 9.50MM IS RECOMMENDED FOR 1.58MM THICK PCB MAX TORQUE IS 4 LBS-IN.

THIS DRAWING CONTAINS INFORMATION THAT IS PROPRIETARY TO MOLEX ELECTRONIC TECHNOLOGIES, LLC AND SHOULD NOT BE USED WITHOUT WRITTEN PERMISSION									
DIMENSION UNITS	SCALE	CURRENT REV DESC: REMOVED P/N 8414, 8415, 8419 & 8420							
mm	3:1								
GENERAL TOLERANCES (UNLESS SPECIFIED)									
ANGULAR TOL	± 0.5°	G-*SP-*S-G VERT RECEP ASSY - TEN60 SPLIT POWER							
4 PLACES	±	PRODUCT CUSTOMER DRAWING							
3 PLACES	±	DOCUMENT NUMBER							
2 PLACES	± 0.13	DOC TYPE							
1 PLACE	± 0.25	DOC PART							
0 PLACES	±	REVISION							
DRAFT WHERE APPLICABLE MUST REMAIN WITHIN DIMENSIONS		THIRD ANGLE PROJECTION		DRAWING		SERIES		MATERIAL NUMBER	
		D-SIZE		171089		SEE TABLE		CUSTOMER	
				GENERAL MARKET				SHEET NUMBER	
								1 OF 3	



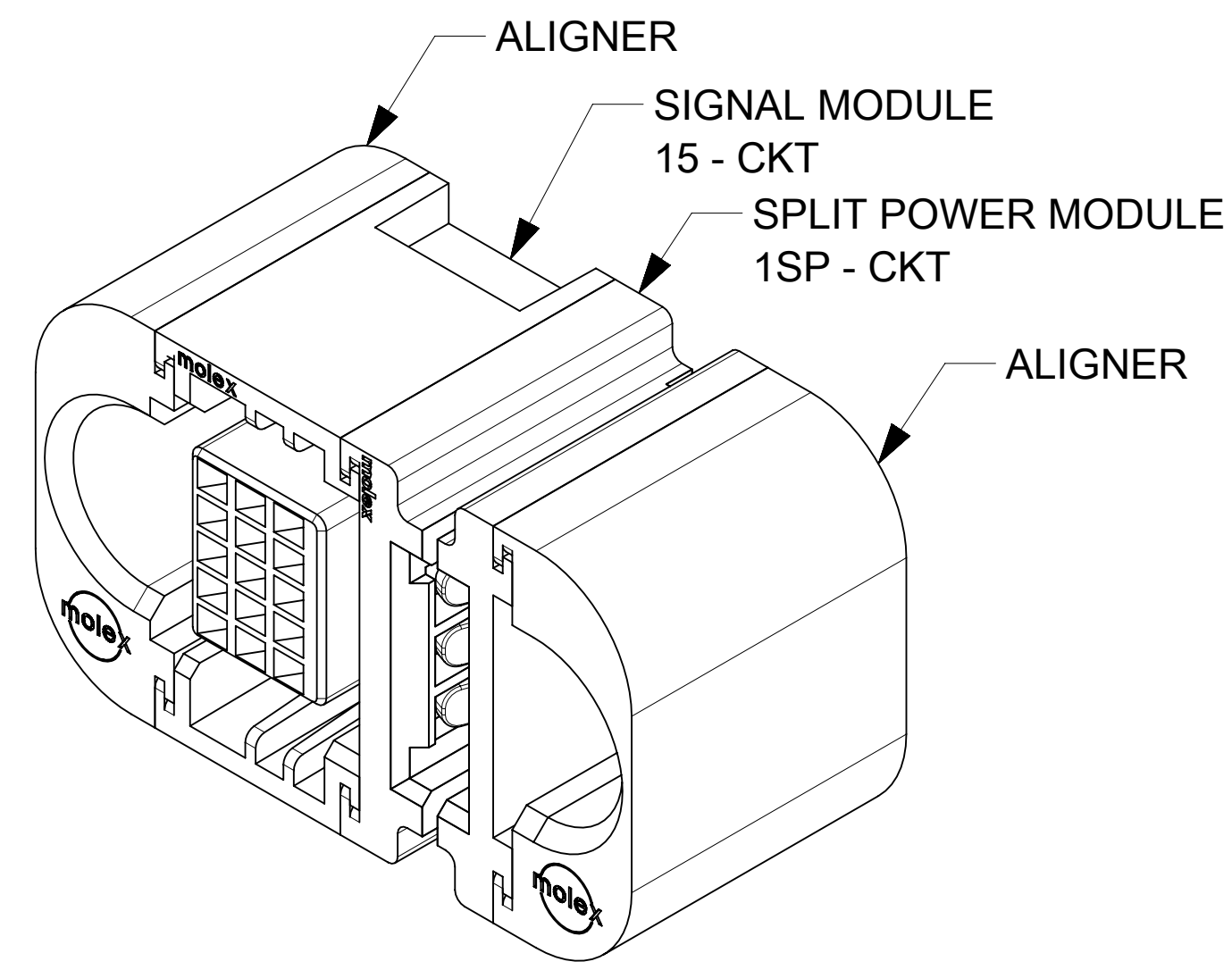
RECOMMENDED PCB LAYOUT AND KEEP-OUT ZONE FOR G-(1SP TO 3SP)-15S-G

REFER TO BELOW TABLE FOR DIMENSIONS.

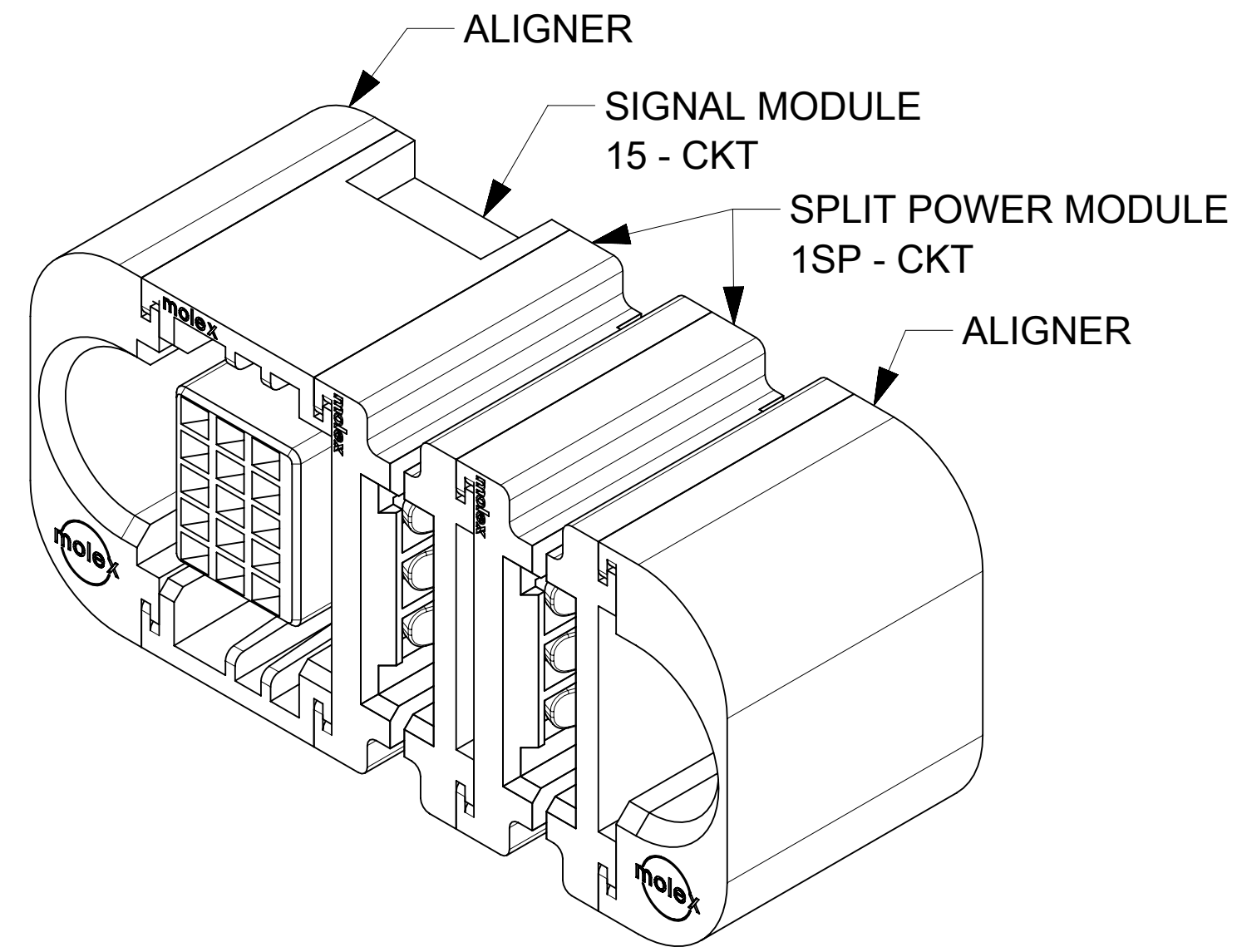
FG P/N	CONFIGURATION	POWER CKT SIZE	SIGNAL CKT SIZE	DIM "A" (IN MM)	DIM "B" (IN MM)	DIM "C" (IN MM)	DIM "X" (IN MM)	HOLES COUNT "H1"	HOLES COUNT "H2"	MATES WITH R/A PLUG ASSY P/N
1710898411	G-1SP-15S-G	1	15	31.21	32.21	8.78	18.56	08	15	1710888411
1710898412	G-2SP-15S-G	2	15	39.21	40.21	16.78	26.56	16	15	1710888412
1710898413	G-3SP-15S-G	3	15	47.21	48.21	24.78	34.56	24	15	1710888413
1710898416	G-1SP-30S-G	1	30	37.21	38.21	8.78	24.56	08	30	1710888416
1710898417	G-2SP-30S-G	2	30	45.21	46.21	16.78	32.56	16	30	1710888417
1710898418	G-3SP-30S-G	3	30	53.21	54.21	24.78	40.56	24	30	1710888418

THIS DRAWING CONTAINS INFORMATION THAT IS PROPRIETARY TO MOLEX ELECTRONIC TECHNOLOGIES, LLC AND SHOULD NOT BE USED WITHOUT WRITTEN PERMISSION

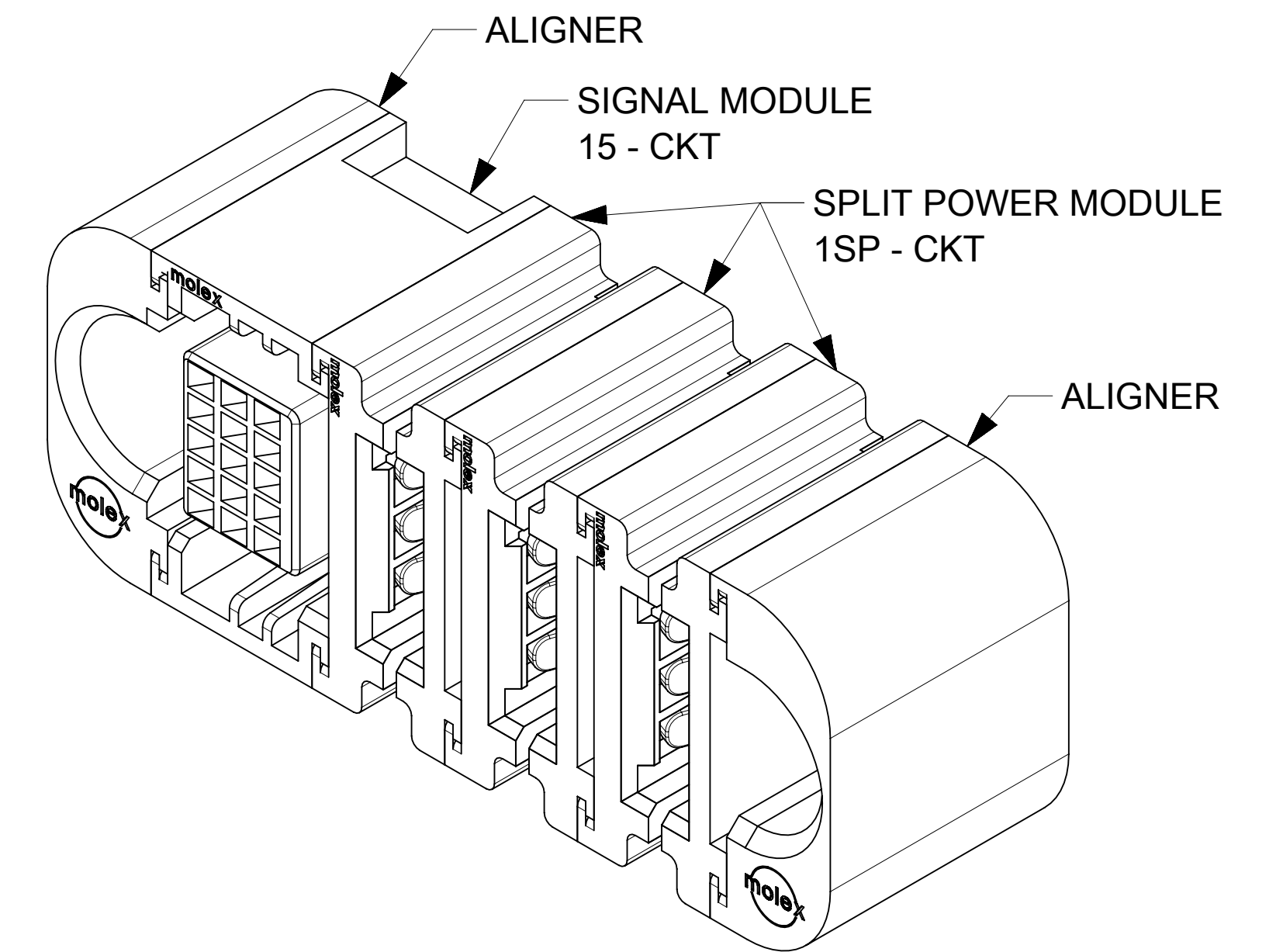
DIMENSION UNITS <b>mm</b>	SCALE <b>4:1</b>	CURRENT REV DESC: REMOVED P/N 8414, 8415, 8419 & 8420	<b>molex</b>		
GENERAL TOLERANCES (UNLESS SPECIFIED)					
ANGULAR TOL ± 0.5°		EC NO: 707711	PRODUCT CUSTOMER DRAWING		
4 PLACES ±		DRWN: KSUTAR 2022/05/20	DOCUMENT NUMBER		
3 PLACES ±		CHK'D: GJEEVANSURES 2022/05/23	1710898420		
2 PLACES ± 0.13		APPR: HTHYAGARAJ 2022/06/08	DOC TYPE	DOC PART	REVISION
1 PLACE ± 0.25		INITIAL REVISION:	PSD	000	A2
0 PLACES ±		DRWN: KSUTAR 2021/09/28	MATERIAL NUMBER		
DRAFT WHERE APPLICABLE MUST REMAIN WITHIN DIMENSIONS		APPR: HTHYAGARAJ 2021/11/08	CUSTOMER		
THIRD ANGLE PROJECTION		DRAWING	SERIES		
D-DRAWING		D-DRAWING	171089		
SEE TABLE		GENERAL MARKET			SHEET NUMBER
SEE TABLE		GENERAL MARKET			2 OF 3



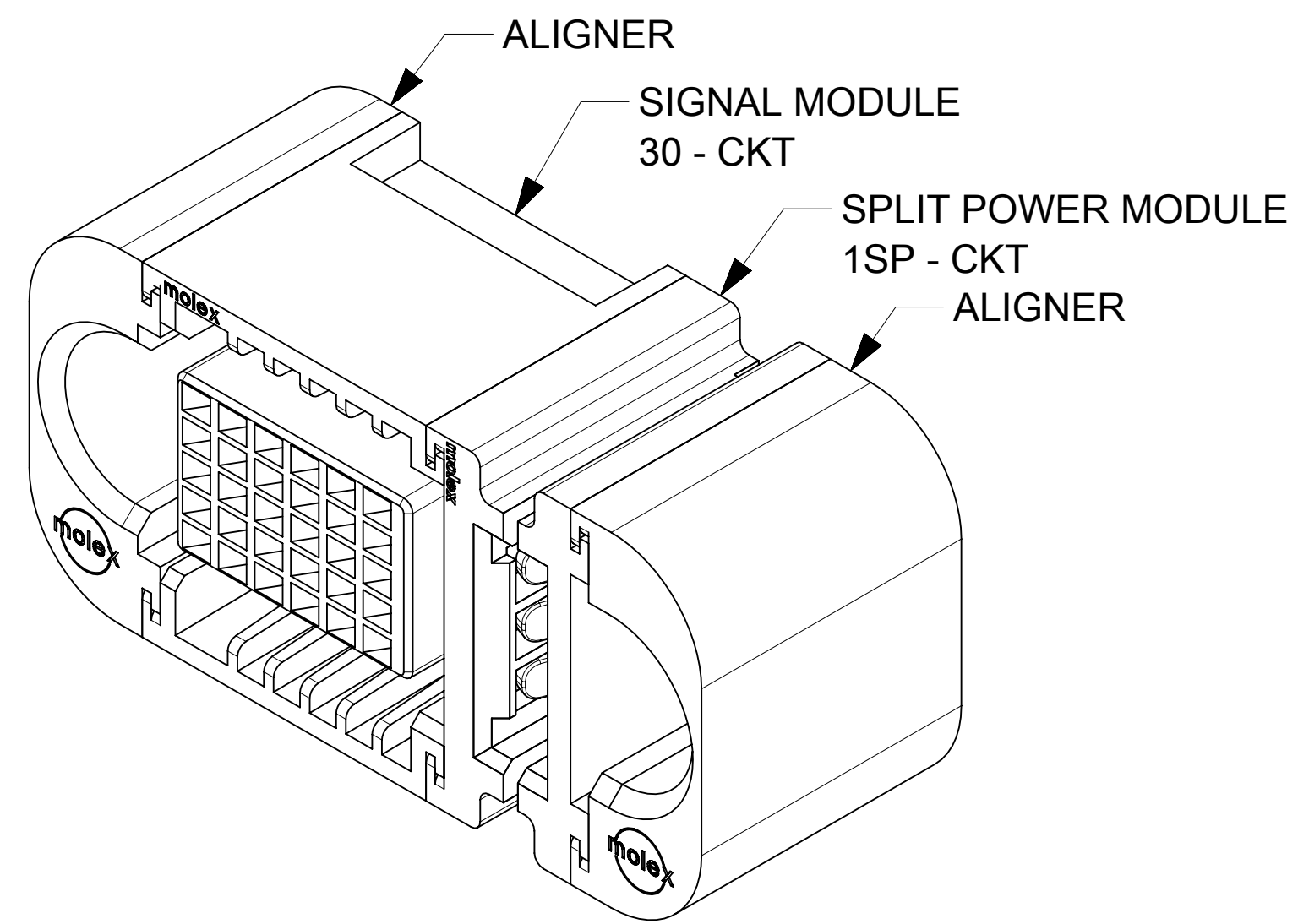
P/N: 171089-8411 (G-1SP-15S-G)



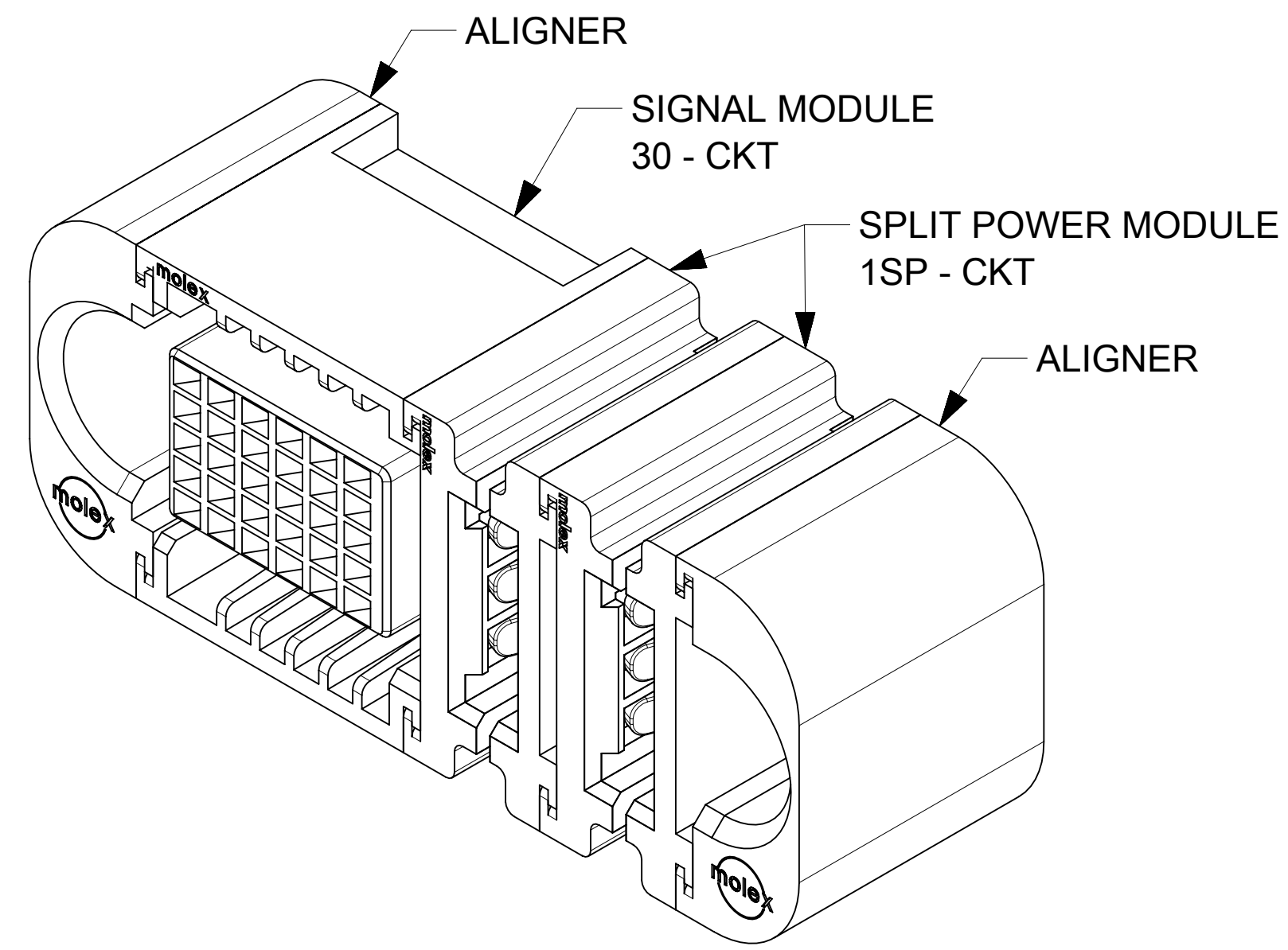
P/N: 171089-8412 (G-2SP-15S-G)




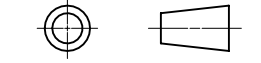
P/N: 171089-8413 (G-3SP-15S-G)



P/N: 171089-8416 (G-1SP-30S-G)



P/N: 171089-8417 (G-2SP-30S-G)

THIS DRAWING CONTAINS INFORMATION THAT IS PROPRIETARY TO MOLEX ELECTRONIC TECHNOLOGIES, LLC AND SHOULD NOT BE USED WITHOUT WRITTEN PERMISSION									
DIMENSION UNITS	SCALE	CURRENT REV DESC: REMOVED P/N 8414, 8415, 8419 & 8420							
mm	4:1	 G-*SP-*S-G VERT RECEP ASSY - TEN60 SPLIT POWER PRODUCT CUSTOMER DRAWING							
GENERAL TOLERANCES (UNLESS SPECIFIED)									
ANGULAR TOL	± 0.5°								
4 PLACES	±								
3 PLACES	±								
2 PLACES	± 0.13								
1 PLACE	± 0.25	EC NO: 707711	DRWN: KSUTAR		2022/05/20				
0 PLACES	±	CHK'D: GJEEVANSURES	2022/05/23						
DRAFT WHERE APPLICABLE MUST REMAIN WITHIN DIMENSIONS		APPR: HTHYAGARAJ		2022/06/08					
THIRD ANGLE PROJECTION		DRAWING		SERIES		MATERIAL NUMBER		CUSTOMER	
		D-SIZE		171089		SEE TABLE		GENERAL MARKET	
								REVISION	
								1710898420	
								PSD 000 A2	
								3 OF 3	