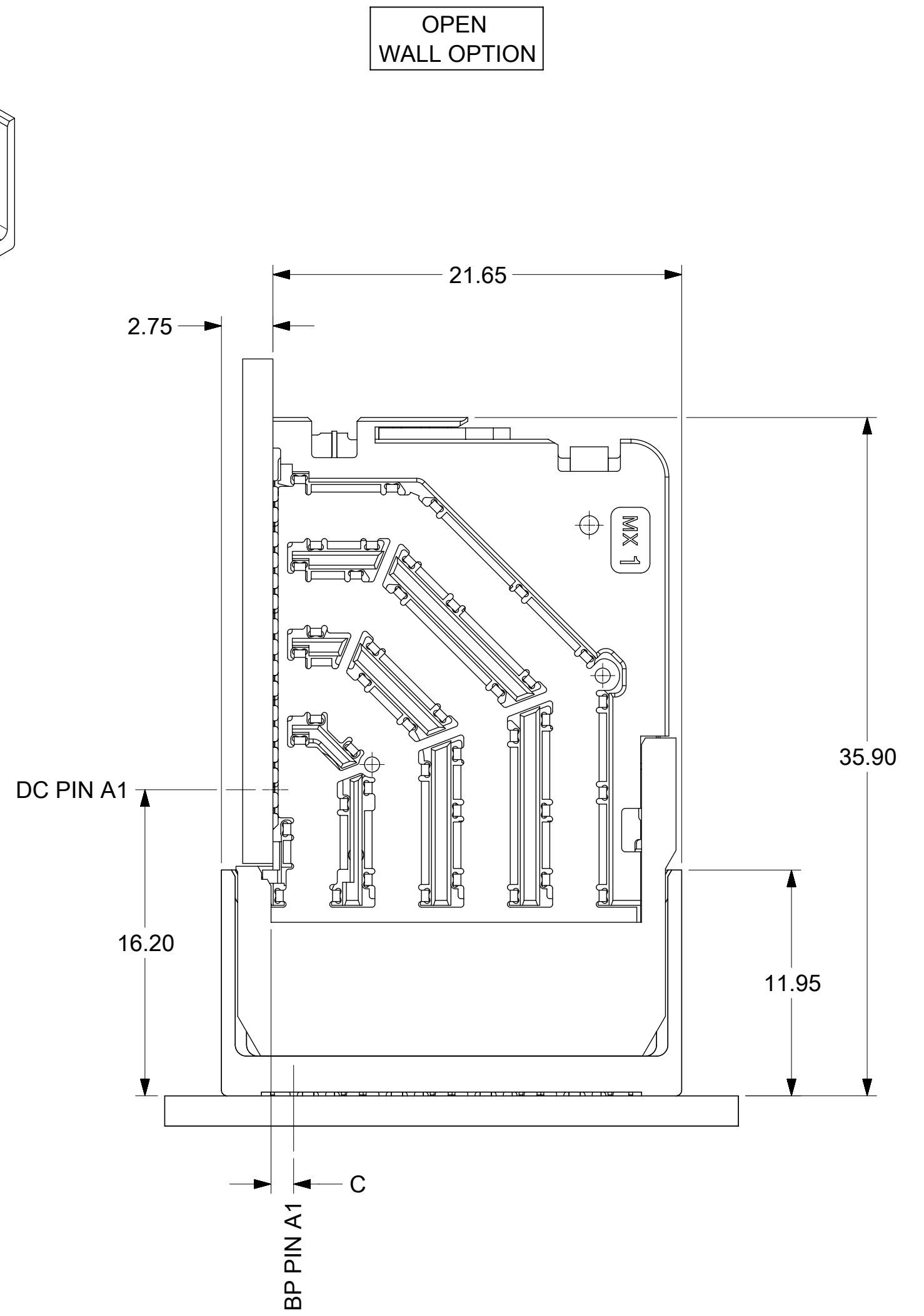
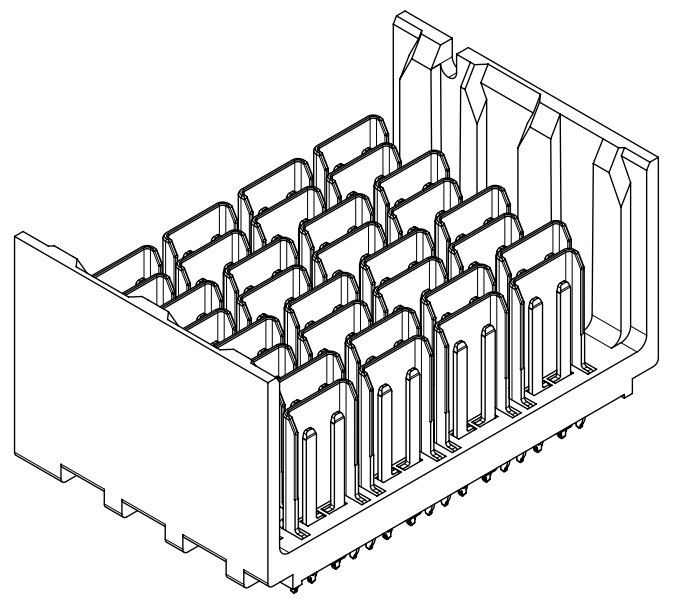


- NOTES:
1. MATERIALS: HOUSING - LIQUID CRYSTAL POLYMER (LCP)
GLASS-FILLED, UL94V-0
TERMINALS - HIGH PERFORMANCE COPPER ALLOY
 2. FINISH: 30uIN GOLD IN CONTACT AREA.
SELECTIVE TIN ON PCB TAILS.
NICKEL OVERALL.
 3. REFER TO MOLEX PRODUCT SPECIFICATION PS-171320-999 FOR PERFORMANCE SPECIFICATIONS.
 4. THIS PART CONFORMS TO CLASS B REQUIREMENTS OF MOLEX COSMETIC SPEC PS-45499-002.
 5. PRODUCT WILL BE PACKAGED PER PK-78888-084.
 6. SEE SHEETS 6 AND 7 FOR HOLE PATTERN AND MATED PART DIMENSIONS.
 7. MATES WITH IMPEL DC SERIES NUMBER 171320.
 8. REFER TO IMPEL PCB ROUTING GUIDE AS-171320-990 FOR ANTIPAD, ROUTING RECOMMENDATIONS, AND ADDITIONAL PCB INFORMATION.
 9. WHEN STACKING MODULES END TO END, THE MINIMUM COLUMN TO COLUMN SPACING IS 2.65mm.

THIS DRAWING CONTAINS INFORMATION THAT IS PROPRIETARY TO MOLEX ELECTRONIC TECHNOLOGIES, LLC AND SHOULD NOT BE USED WITHOUT WRITTEN PERMISSION											
DIMENSION UNITS		SCALE		CURRENT REV DESC: REVISED TABLE						molex	
mm		NTS									
GENERAL TOLERANCES (UNLESS SPECIFIED)				EC NO: 622393						IMPEL 4 PAIR BACKPLANE UNGUIDED ASSEMBLY SALES DRAWING	
ANGULAR TOL ± 0.5°				DRWN: JLTAN06 2018/12/21							
4 PLACES ±				CHK'D: JLTAN06 2019/08/14							
3 PLACES ±				APPR: DWLEE01 2019/08/23						PRODUCT CUSTOMER DRAWING	
2 PLACES ± 0.13				INITIAL REVISION:						DOCUMENT NUMBER	
1 PLACE ± 0.25				DRWN: BJANOWIAK 2012/09/18						SD-171315-0001	
0 PLACES ±				APPR: BJANOWIAK 2012/11/12						DOC TYPE DOC PART REVISION	
DRAFT WHERE APPLICABLE MUST REMAIN WITHIN DIMENSIONS				THIRD ANGLE PROJECTION		DRAWING		SERIES		MATERIAL NUMBER CUSTOMER SHEET NUMBER	
						C-SIZE		171315		SEE TABLE GENERAL MARKET 1 OF 7	

MATERIAL NUMBER	NUMBER OF COLUMNS	NUMBER OF DIFF PAIR	DIM "A"	DIM "B"	DIM "C"	DIM "P"	PTH ϕ
171315-1307	6	24	12.00	9.50	1.20	4.90	0.36±0.05
171315-1804	8	32	15.80	13.30	1.10	4.90	0.46±0.05
171315-1805	8	32	15.80	13.30	1.10	5.50	0.46±0.05
171315-1807	8	32	15.80	13.30	1.20	4.90	0.36±0.05
171315-1808	8	32	15.80	13.30	1.20	5.50	0.36±0.05
171315-1104	10	40	19.60	17.10	1.10	4.90	0.46±0.05
171315-1105	10	40	19.60	17.10	1.10	5.50	0.46±0.05
171315-1107	10	40	19.60	17.10	1.20	4.90	0.36±0.05
171315-1108	10	40	19.60	17.10	1.20	5.50	0.36±0.05
171315-1204	12	48	23.40	20.90	1.10	4.90	0.46±0.05
171315-1205	12	48	23.40	20.90	1.10	5.50	0.46±0.05
171315-1207	12	48	23.40	20.90	1.20	4.90	0.36±0.05
171315-1208	12	48	23.40	20.90	1.20	5.50	0.36±0.05
171315-1704	14	56	27.20	24.70	1.10	4.90	0.46±0.05
171315-1705	14	56	27.20	24.70	1.10	5.50	0.46±0.05
171315-1707	14	56	27.20	24.70	1.20	4.90	0.36±0.05
171315-1708	14	56	27.20	24.70	1.20	5.50	0.36±0.05
171315-1604	16	64	31.00	28.50	1.10	4.90	0.46±0.05
171315-1605	16	64	31.00	28.50	1.10	5.50	0.46±0.05
171315-1607	16	64	31.00	28.50	1.20	4.90	0.36±0.05
171315-1608	16	64	31.00	28.50	1.20	5.50	0.36±0.05



171315-1 * * *

MODULE TYPE
1 = UNGUIDED

OF COLUMNS
8 = 8 COL
1 = 10 COL
2 = 12 COL
7 = 14 COL
6 = 16 COL

PIN LENGTH (P)
4 = 4.90 (0.46 PTH)
5 = 5.50 (0.46 PTH)
7 = 4.90 (0.36 PTH)
8 = 5.50 (0.36 PTH)

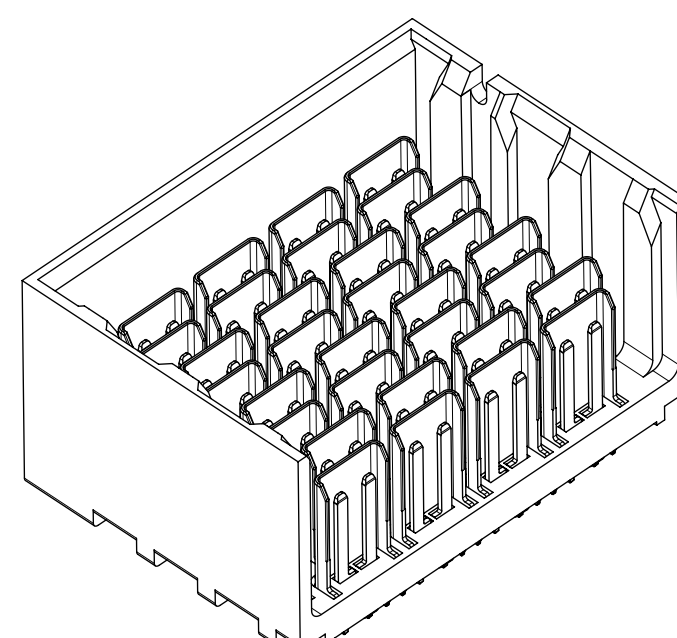
HOUSING STYLE
0 = OPEN ENDS
1 = LEFT END WALL
2 = DUAL END WALL
3 = RIGHT END WALL

MATED PART DIMENSIONS

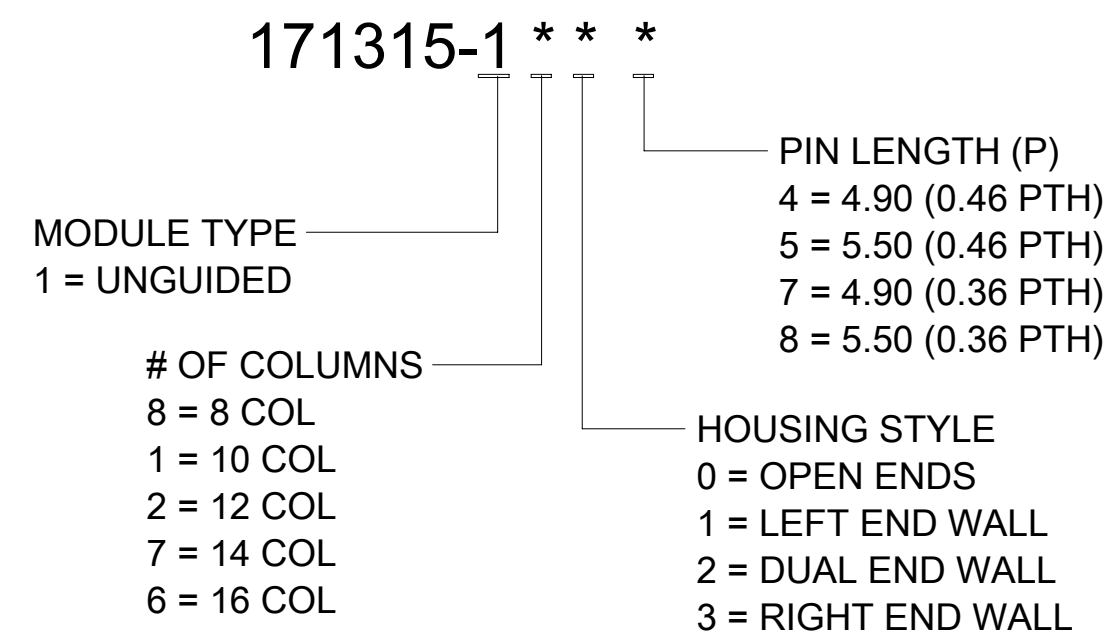
THIS DRAWING CONTAINS INFORMATION THAT IS PROPRIETARY TO MOLEX ELECTRONIC TECHNOLOGIES, LLC AND SHOULD NOT BE USED WITHOUT WRITTEN PERMISSION

DIMENSION UNITS	SCALE	CURRENT REV DESC: REVISED TABLE		molex		
mm	NTS					
GENERAL TOLERANCES (UNLESS SPECIFIED)		EC NO: 622393		IMPEL 4 PAIR BACKPLANE UNGUIDED ASSEMBLY SALES DRAWING		
ANGULAR TOL	± 0.5°	DRWN: JLTAN06	2018/12/21			
4 PLACES	±	CHK'D: JLTAN06	2019/08/14	PRODUCT CUSTOMER DRAWING		
3 PLACES	±	APPR: DWLEE01	2019/08/23			
2 PLACES	± 0.13	INITIAL REVISION:		DOCUMENT NUMBER SD-171315-0001		
1 PLACE	± 0.25	DRWN: BJANOWIAK	2012/09/18			
0 PLACES	±	APPR: BJANOWIAK	2012/11/12	MATERIAL NUMBER SEE TABLE		
DRAFT WHERE APPLICABLE MUST REMAIN WITHIN DIMENSIONS		THIRD ANGLE PROJECTION	DRAWING C-SIZE			

MATERIAL NUMBER	NUMBER OF COLUMNS	NUMBER OF DIFF PAIR	DIM "A"	DIM "B"	DIM "C"	DIM "P"	PTH ϕ
171315-1814	8	32	17.20	13.30	1.10	4.90	0.46±0.05
171315-1815	8	32	17.20	13.30	1.10	5.50	0.46±0.05
171315-1817	8	32	17.20	13.30	1.20	4.90	0.36±0.05
171315-1818	8	32	17.20	13.30	1.20	5.50	0.36±0.05
171315-1114	10	40	21.00	17.10	1.10	4.90	0.46±0.05
171315-1115	10	40	21.00	17.10	1.10	5.50	0.46±0.05
171315-1117	10	40	21.00	17.10	1.20	4.90	0.36±0.05
171315-1118	10	40	21.00	17.10	1.20	5.50	0.36±0.05
171315-1214	12	48	24.80	20.90	1.10	4.90	0.46±0.05
171315-1215	12	48	24.80	20.90	1.10	5.50	0.46±0.05
171315-1217	12	48	24.80	20.90	1.20	4.90	0.36±0.05
171315-1218	12	48	24.80	20.90	1.20	5.50	0.36±0.05
171315-1714	14	56	28.60	24.70	1.10	4.90	0.46±0.05
171315-1715	14	56	28.60	24.70	1.10	5.50	0.46±0.05
171315-1717	14	56	28.60	24.70	1.20	4.90	0.36±0.05
171315-1718	14	56	28.60	24.70	1.20	5.50	0.36±0.05
171315-1614	16	64	32.40	28.50	1.10	4.90	0.46±0.05
171315-1615	16	64	32.40	28.50	1.10	5.50	0.46±0.05
171315-1617	16	64	32.40	28.50	1.20	4.90	0.36±0.05
171315-1618	16	64	32.40	28.50	1.20	5.50	0.36±0.05



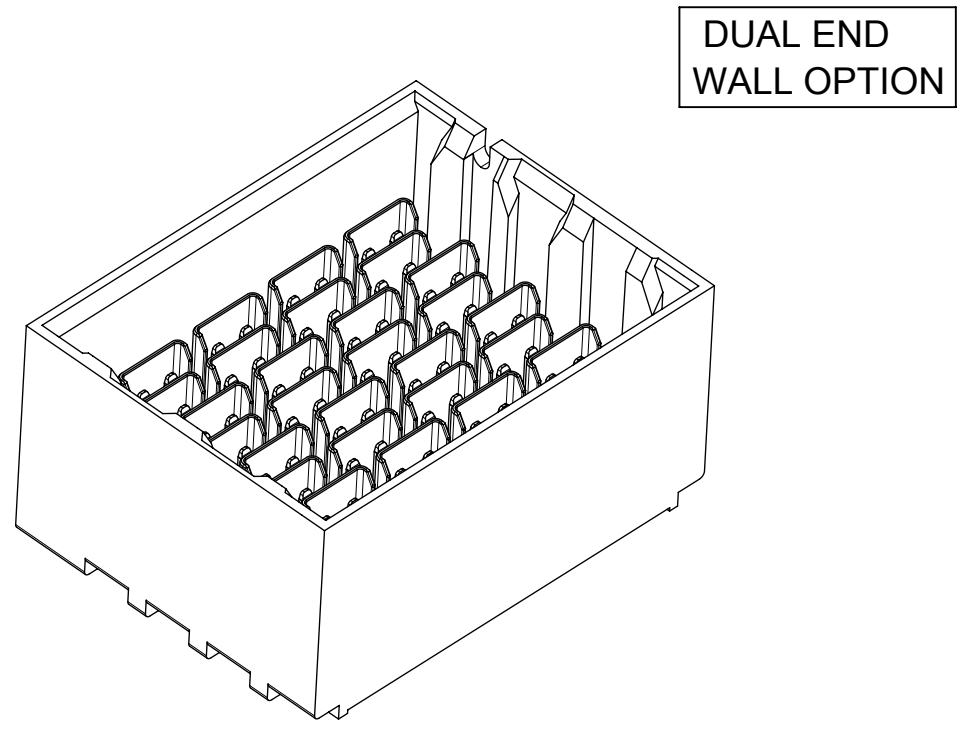
LEFT END WALL OPTION



THIS DRAWING CONTAINS INFORMATION THAT IS PROPRIETARY TO MOLEX ELECTRONIC TECHNOLOGIES, LLC AND SHOULD NOT BE USED WITHOUT WRITTEN PERMISSION									
DIMENSION UNITS		SCALE		CURRENT REV DESC: REVISED TABLE					
mm		NTS							
GENERAL TOLERANCES (UNLESS SPECIFIED)				EC NO: 622393				IMPEL 4 PAIR BACKPLANE UNGUIDED ASSEMBLY SALES DRAWING PRODUCT CUSTOMER DRAWING	
ANGULAR TOL ± 0.5°				DRWN: JLTAN06 2018/12/21					
4 PLACES ±				CHK'D: JLTAN06 2019/08/14					
3 PLACES ±				APPR: DWLEE01 2019/08/23				DOCUMENT NUMBER SD-171315-0001	
2 PLACES ± 0.13				INITIAL REVISION:					
1 PLACE ± 0.25				DRWN: BJANOWIAK 2012/09/18				DOC TYPE	
0 PLACES ±				APPR: BJANOWIAK 2012/11/12				DOC PART	
DRAFT WHERE APPLICABLE MUST REMAIN WITHIN DIMENSIONS				THIRD ANGLE PROJECTION		DRAWING		SERIES	
						C-SIZE		171315	
MATERIAL NUMBER		CUSTOMER		SHEET NUMBER					
SEE TABLE		GENERAL MARKET		3 OF 7					

DOCUMENT STATUS	P1	RELEASE DATE	2019/08/23 01:41:45
-----------------	----	--------------	---------------------

MATERIAL NUMBER	NUMBER OF COLUMNS	NUMBER OF DIFF PAIR	DIM "A"	DIM "B"	DIM "C"	DIM "P"	PTH ϕ
171315-1824	8	32	18.60	13.30	1.10	4.90	0.46±0.05
171315-1825	8	32	18.60	13.30	1.10	5.50	0.46±0.05
171315-1827	8	32	18.60	13.30	1.20	4.90	0.36±0.05
171315-1828	8	32	18.60	13.30	1.20	5.50	0.36±0.05
171315-1124	10	40	22.40	17.10	1.10	4.90	0.46±0.05
171315-1125	10	40	22.40	17.10	1.10	5.50	0.46±0.05
171315-1127	10	40	22.40	17.10	1.20	4.90	0.36±0.05
171315-1128	10	40	22.40	17.10	1.20	5.50	0.36±0.05
171315-1224	12	48	26.20	20.90	1.10	4.90	0.46±0.05
171315-1225	12	48	26.20	20.90	1.10	5.50	0.46±0.05
171315-1227	12	48	26.20	20.90	1.20	4.90	0.36±0.05
171315-1228	12	48	26.20	20.90	1.20	5.50	0.36±0.05
171315-1724	14	56	30.00	24.70	1.10	4.90	0.46±0.05
171315-1725	14	56	30.00	24.70	1.10	5.50	0.46±0.05
171315-1727	14	56	30.00	24.70	1.20	4.90	0.36±0.05
171315-1728	14	56	30.00	24.70	1.20	5.50	0.36±0.05
171315-1624	16	64	33.80	28.50	1.10	4.90	0.46±0.05
171315-1625	16	64	33.80	28.50	1.10	5.50	0.46±0.05
171315-1627	16	64	33.80	28.50	1.20	4.90	0.36±0.05
171315-1628	16	64	33.80	28.50	1.20	5.50	0.36±0.05



171315-1 * * *

MODULE TYPE
1 = UNGUIDED

OF COLUMNS
8 = 8 COL
1 = 10 COL
2 = 12 COL
7 = 14 COL
6 = 16 COL

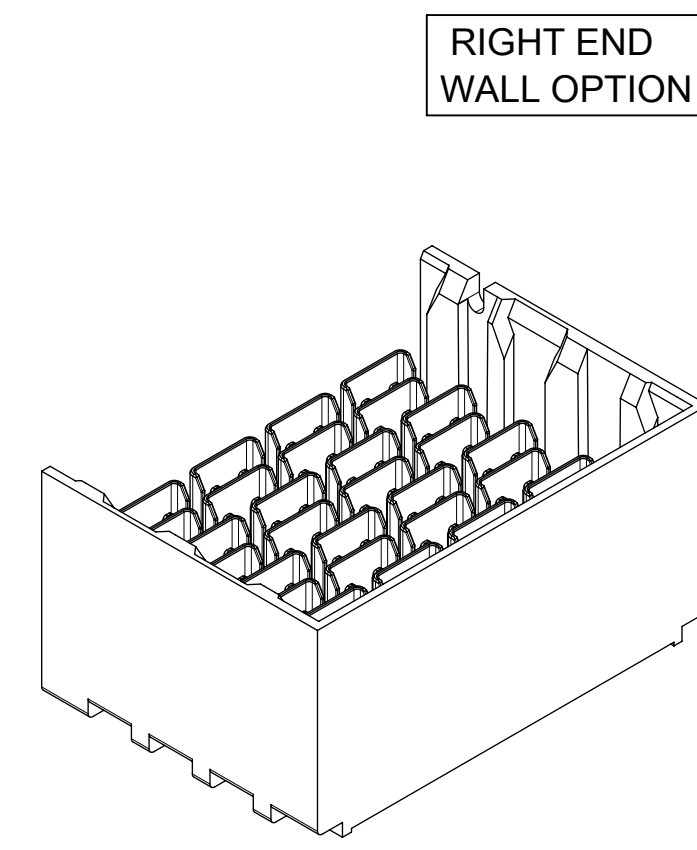
PIN LENGTH (P)
4 = 4.90 (0.46 PTH)
5 = 5.50 (0.46 PTH)
7 = 4.90 (0.36 PTH)
8 = 5.50 (0.36 PTH)

HOUSING STYLE
0 = OPEN ENDS
1 = LEFT END WALL
2 = DUAL END WALL
3 = RIGHT END WALL

THIS DRAWING CONTAINS INFORMATION THAT IS PROPRIETARY TO MOLEX ELECTRONIC TECHNOLOGIES, LLC AND SHOULD NOT BE USED WITHOUT WRITTEN PERMISSION									
DIMENSION UNITS		SCALE		CURRENT REV DESC: REVISED TABLE				molex	
mm		NTS							
GENERAL TOLERANCES (UNLESS SPECIFIED)				EC NO: 622393				IMPEL 4 PAIR BACKPLANE UNGUIDED ASSEMBLY SALES DRAWING	
ANGULAR TOL ± 0.5°				DRWN: JLTAN06 2018/12/21					
4 PLACES ±				CHK'D: JLTAN06 2019/08/14					
3 PLACES ±				APPR: DWLEE01 2019/08/23				PRODUCT CUSTOMER DRAWING	
2 PLACES ± 0.13				INITIAL REVISION:				DOCUMENT NUMBER	
1 PLACE ± 0.25				DRWN: BJANOWIAK 2012/09/18				SD-171315-0001	
0 PLACES ±				APPR: BJANOWIAK 2012/11/12				DOC TYPE DOC PART REVISION	
DRAFT WHERE APPLICABLE MUST REMAIN WITHIN DIMENSIONS				THIRD ANGLE PROJECTION		DRAWING		MATERIAL NUMBER	
				C-SIZE		SERIES		CUSTOMER	
				C-SIZE		171315		GENERAL MARKET	
								SHEET NUMBER	
								4 OF 7	

DOCUMENT STATUS	P1	RELEASE DATE	2019/08/23 01:41:45
-----------------	----	--------------	---------------------

MATERIAL NUMBER	NUMBER OF COLUMNS	NUMBER OF DIFF PAIR	DIM "A"	DIM "B"	DIM "C"	DIM "P"	PTH ϕ
171315-1834	8	32	17.20	13.30	1.10	4.90	0.46±0.05
171315-1835	8	32	17.20	13.30	1.10	5.50	0.46±0.05
171315-1837	8	32	17.20	13.30	1.20	4.90	0.36±0.05
171315-1838	8	32	17.20	13.30	1.20	5.50	0.36±0.05
171315-1134	10	40	21.00	17.10	1.10	4.90	0.46±0.05
171315-1135	10	40	21.00	17.10	1.10	5.50	0.46±0.05
171315-1137	10	40	21.00	17.10	1.20	4.90	0.36±0.05
171315-1138	10	40	21.00	17.10	1.20	5.50	0.36±0.05
171315-1234	12	48	24.80	20.90	1.10	4.90	0.46±0.05
171315-1235	12	48	24.80	20.90	1.10	5.50	0.46±0.05
171315-1237	12	48	24.80	20.90	1.20	4.90	0.36±0.05
171315-1238	12	48	24.80	20.90	1.20	5.50	0.36±0.05
171315-1734	14	56	28.60	24.70	1.10	4.90	0.46±0.05
171315-1735	14	56	28.60	24.70	1.10	5.50	0.46±0.05
171315-1737	14	56	28.60	24.70	1.20	4.90	0.36±0.05
171315-1738	14	56	28.60	24.70	1.20	5.50	0.36±0.05
171315-1634	16	64	32.40	28.50	1.10	4.90	0.46±0.05
171315-1635	16	64	32.40	28.50	1.10	5.50	0.46±0.05
171315-1637	16	64	32.40	28.50	1.20	4.90	0.36±0.05
171315-1638	16	64	32.40	28.50	1.20	5.50	0.36±0.05



171315-1 * * *

MODULE TYPE
1 = UNGUIDED

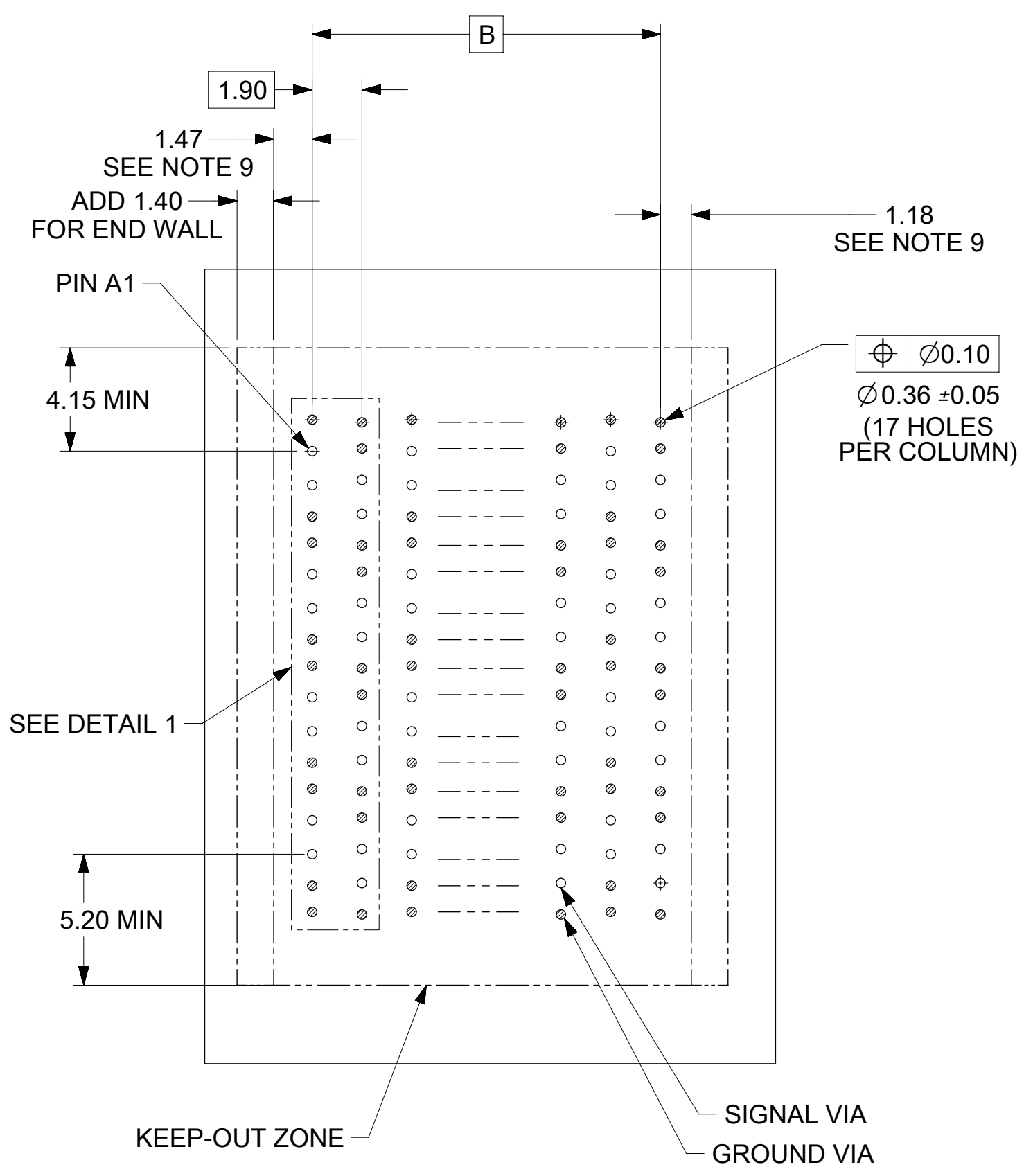
OF COLUMNS
8 = 8 COL
1 = 10 COL
2 = 12 COL
7 = 14 COL
6 = 16 COL

PIN LENGTH (P)
4 = 4.90 (0.46 PTH)
5 = 5.50 (0.46 PTH)
7 = 4.90 (0.36 PTH)
8 = 5.50 (0.36 PTH)

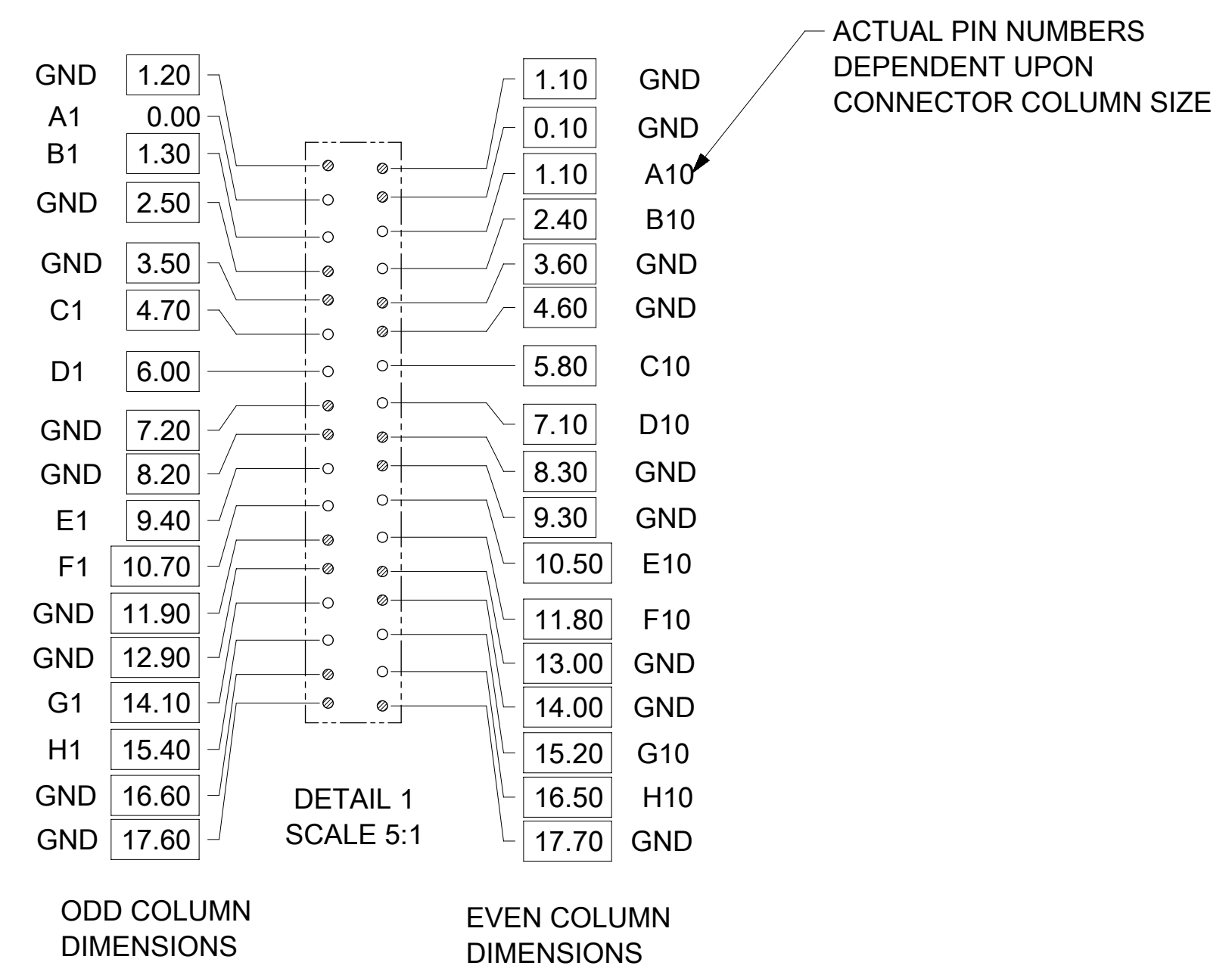
HOUSING STYLE
0 = OPEN ENDS
1 = LEFT END WALL
2 = DUAL END WALL
3 = RIGHT END WALL

THIS DRAWING CONTAINS INFORMATION THAT IS PROPRIETARY TO MOLEX ELECTRONIC TECHNOLOGIES, LLC AND SHOULD NOT BE USED WITHOUT WRITTEN PERMISSION									
DIMENSION UNITS		SCALE		CURRENT REV DESC: REVISED TABLE				molex	
mm		NTS							
GENERAL TOLERANCES (UNLESS SPECIFIED)				EC NO: 622393				IMPEL 4 PAIR BACKPLANE UNGUIDED ASSEMBLY SALES DRAWING	
ANGULAR TOL		± 0.5°		DRWN: JLTAN06		2018/12/21			
4 PLACES		±		CHK'D: JLTAN06		2019/08/14			
3 PLACES		±		APPR: DWLEE01		2019/08/23		PRODUCT CUSTOMER DRAWING	
2 PLACES		± 0.13		INITIAL REVISION:				DOCUMENT NUMBER	
1 PLACE		± 0.25		DRWN: BJANOWIAK		2012/09/18		SD-171315-0001	
0 PLACES		±		APPR: BJANOWIAK		2012/11/12		DOC TYPE DOC PART REVISION	
DRAFT WHERE APPLICABLE MUST REMAIN WITHIN DIMENSIONS		THIRD ANGLE PROJECTION		DRAWING		SERIES		MATERIAL NUMBER CUSTOMER SHEET NUMBER	
				C-SIZE		171315		SEE TABLE GENERAL MARKET 5 OF 7	

DOCUMENT STATUS	P1	RELEASE DATE	2019/08/23	01:41:45
-----------------	----	--------------	------------	----------

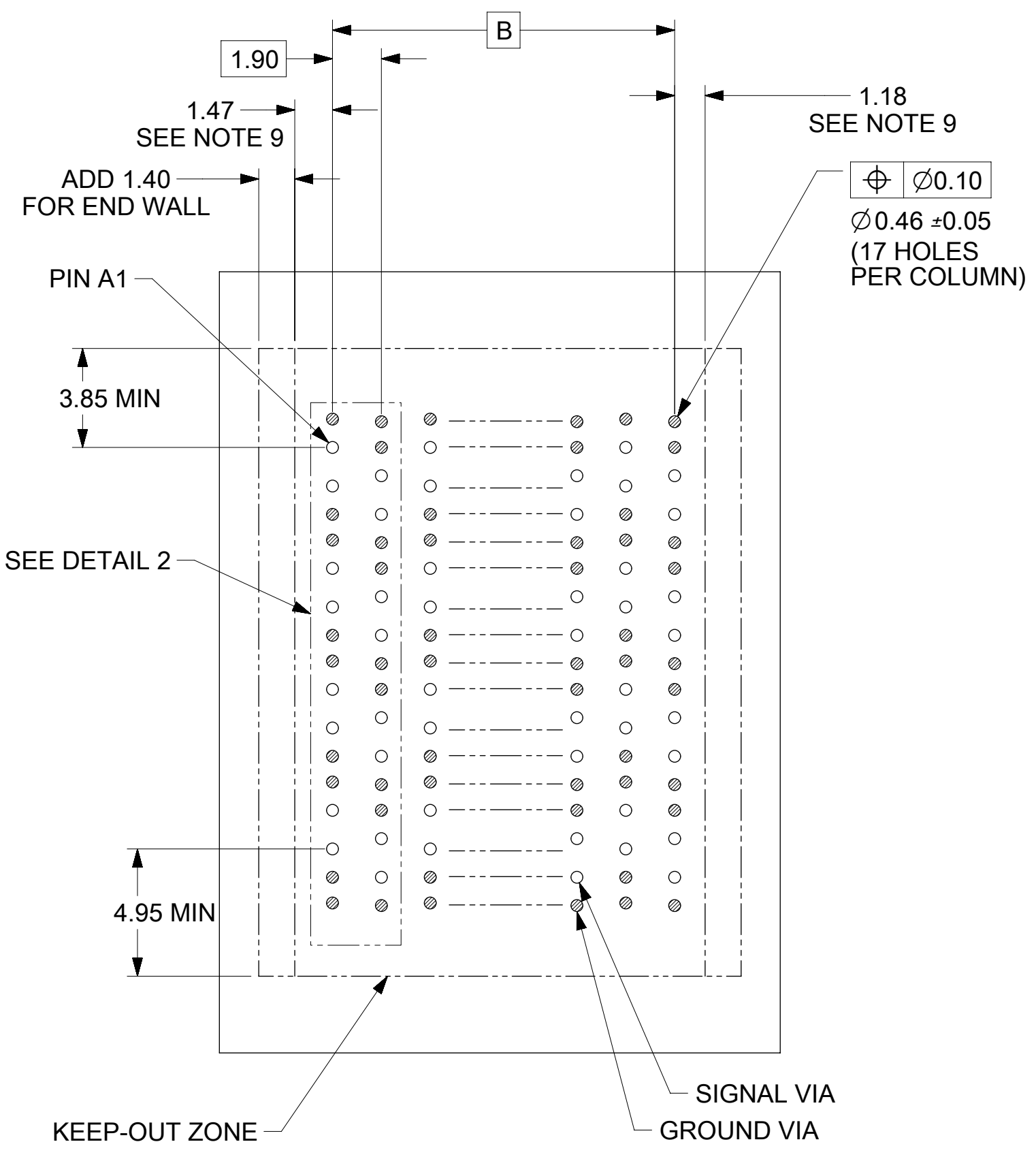


BACKPLANE HOLE PATTERN FOR $\phi 0.36$ PTH (CONNECTOR SIDE)

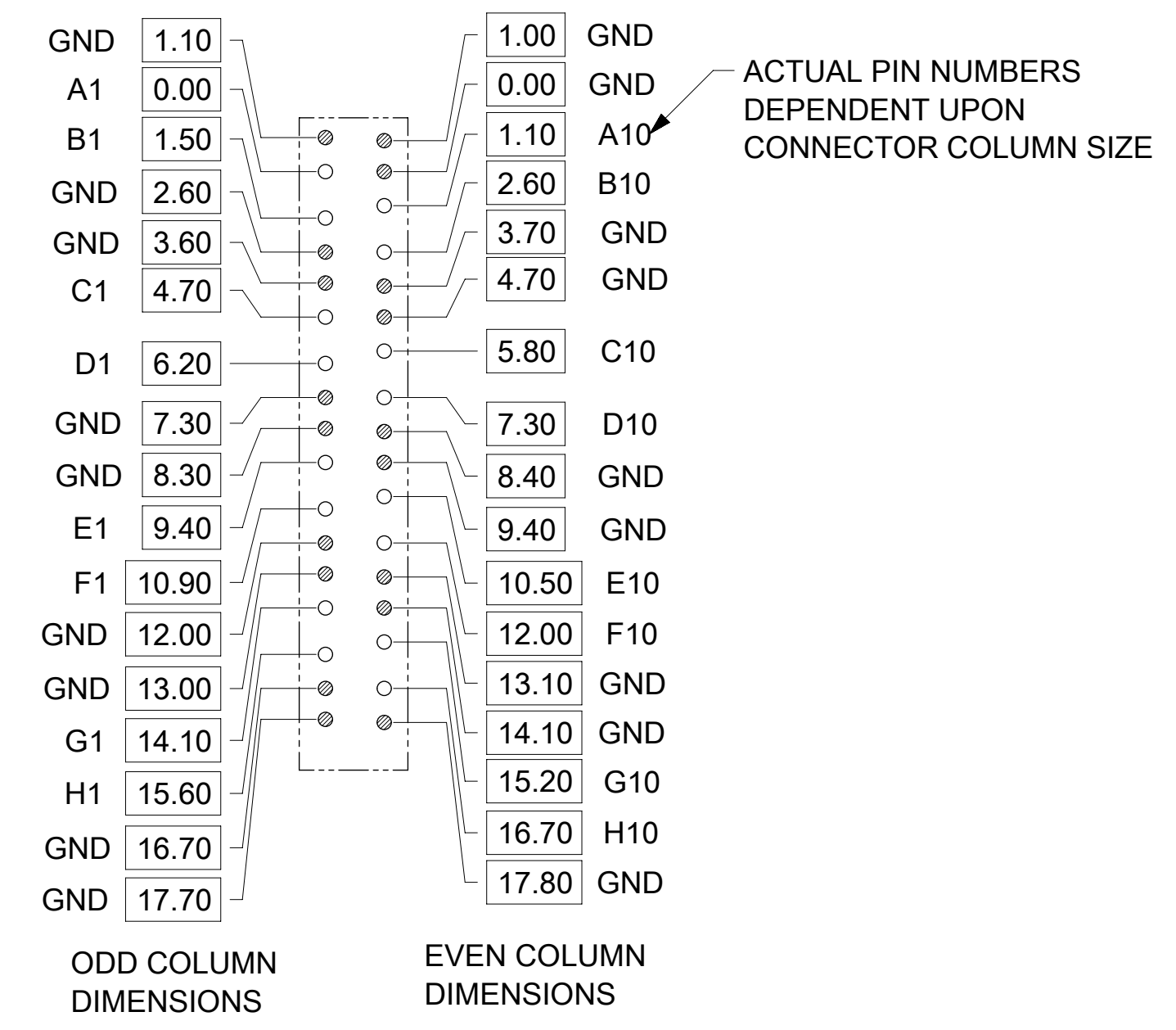


THIS DRAWING CONTAINS INFORMATION THAT IS PROPRIETARY TO MOLEX ELECTRONIC TECHNOLOGIES, LLC AND SHOULD NOT BE USED WITHOUT WRITTEN PERMISSION									
DIMENSION UNITS		SCALE		CURRENT REV DESC: REVISED TABLE				molex	
mm		NTS							
GENERAL TOLERANCES (UNLESS SPECIFIED)				EC NO: 622393				IMPEL 4 PAIR BACKPLANE UNGUIDED ASSEMBLY SALES DRAWING	
ANGULAR TOL		± 0.5°		DRWN: JLTAN06		2018/12/21			
4 PLACES		±		CHK'D: JLTAN06		2019/08/14			
3 PLACES		±		APPR: DWLEE01		2019/08/23		PRODUCT CUSTOMER DRAWING	
2 PLACES		± 0.13		INITIAL REVISION:				DOCUMENT NUMBER	
1 PLACE		± 0.25		DRWN: BIANOWIAK		2012/09/18		SD-171315-0001	
0 PLACES		±		APPR: BIANOWIAK		2012/11/12		DOC TYPE DOC PART REVISION	
DRAFT WHERE APPLICABLE MUST REMAIN WITHIN DIMENSIONS		THIRD ANGLE PROJECTION		DRAWING		SERIES		MATERIAL NUMBER CUSTOMER SHEET NUMBER	
				C-SIZE		171315		SEE TABLE GENERAL MARKET 6 OF 7	

DOCUMENT STATUS	P1	RELEASE DATE	2019/08/23	01:41:45
-----------------	----	--------------	------------	----------



BACKPLANE HOLE PATTERN
FOR $\varnothing 0.46$ PTH
(CONNECTOR SIDE)



DETAIL 2
SCALE 5:1

THIS DRAWING CONTAINS INFORMATION THAT IS PROPRIETARY TO MOLEX ELECTRONIC TECHNOLOGIES, LLC AND SHOULD NOT BE USED WITHOUT WRITTEN PERMISSION									
DIMENSION UNITS		SCALE		CURRENT REV DESC: REVISED TABLE					
mm		NTS							
GENERAL TOLERANCES (UNLESS SPECIFIED)				EC NO: 622393				IMPEL 4 PAIR BACKPLANE UNGUIDED ASSEMBLY SALES DRAWING PRODUCT CUSTOMER DRAWING	
ANGULAR TOL		± 0.5°		DRWN: JLTAN06		2018/12/21			
4 PLACES		±		CHK'D: JLTAN06		2019/08/14			
3 PLACES		±		APPR: DWLEE01		2019/08/23		DOCUMENT NUMBER SD-171315-0001	
2 PLACES		± 0.13		INITIAL REVISION:					
1 PLACE		± 0.25		DRWN: BIANOWIAK		2012/09/18		DOC TYPE	
0 PLACES		±		APPR: BIANOWIAK		2012/11/12		DOC PART	
DRAFT WHERE APPLICABLE MUST REMAIN WITHIN DIMENSIONS				THIRD ANGLE PROJECTION		DRAWING		SERIES	
						C-SIZE		171315	
DOCUMENT STATUS				P1		RELEASE DATE		2019/08/23 01:41:45	
MATERIAL NUMBER				CUSTOMER		SHEET NUMBER			
SEE TABLE				GENERAL MARKET		7 OF 7			