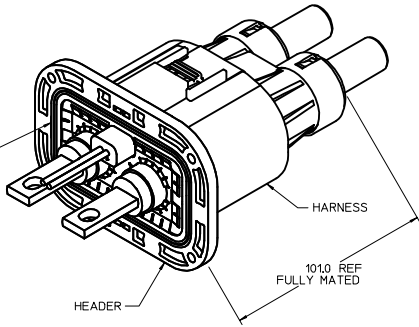
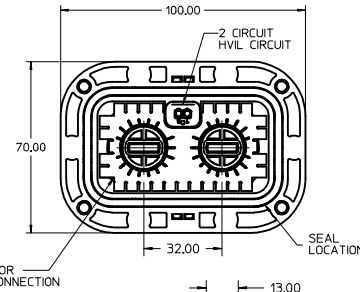
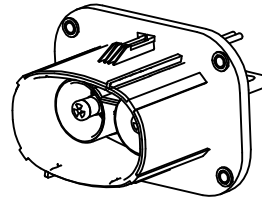


PART NUMBER	KEYING OPTION
171467-1001	A
171467-1002	B

MAIN PANEL SEAL MUST BE FULLY SEATED IN SEAL CAVITY BEFORE ATTACHMENT TO PANEL

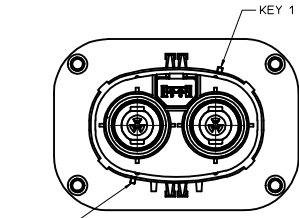


HEADER MATED TO HARNESS

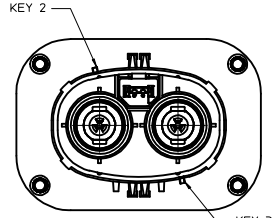


NOTES:

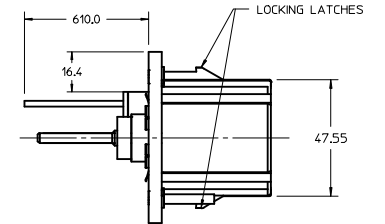
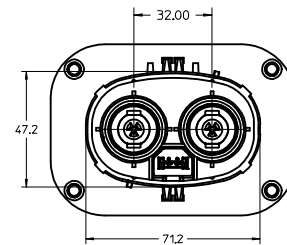
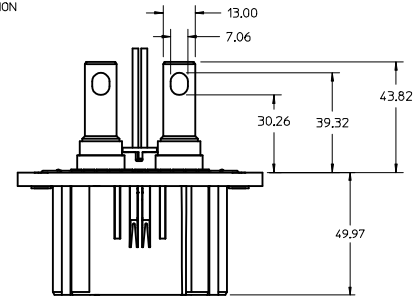
- MATERIAL:
MAIN HOUSING: POLYESTER 94V-0 (OPTIONAL UV STABILIZED)
COLOR: ORANGE
POWER TERMINALS: COPPER
HVIL TERMINALS: COPPER ALLOY
- FINISH:
POWER TERMINALS: SILVER OVER NICKEL PLATING
HVIL TERMINALS: TIN OVER NICKEL PLATING
- WIRE FOR HVIL TERMINALS: 18 GAGE TXL AUTOMOTIVE GRADE STRANDED WIRE
- MATES WITH HARNESS ASSEMBLY SERIES 171466-1***
- ATTACH HEADER WITH SCREWS TO PANEL PER MOLEX APPLICATION SPEC
- PRODUCT SPECIFICATION: PS-171467-001
- APPLICATION SPECIFICATION: AS-171467-001
- PACKAGING SPECIFICATION: PK-171467-999
- SHIELD MATING SURFACE WITHIN THE KEEP OUT ZONE MUST BE A CLEAN SURFACE WITH TIN OR NICKEL PLATING
- BUS BAR AND MOUNTING HARDWARE TO BE OVERALL TIN PLATED



OPTION A
KEYING 1-4
MOLEX STANDARD
KEYIN VERSION



OPTION B
KEYING 2-3



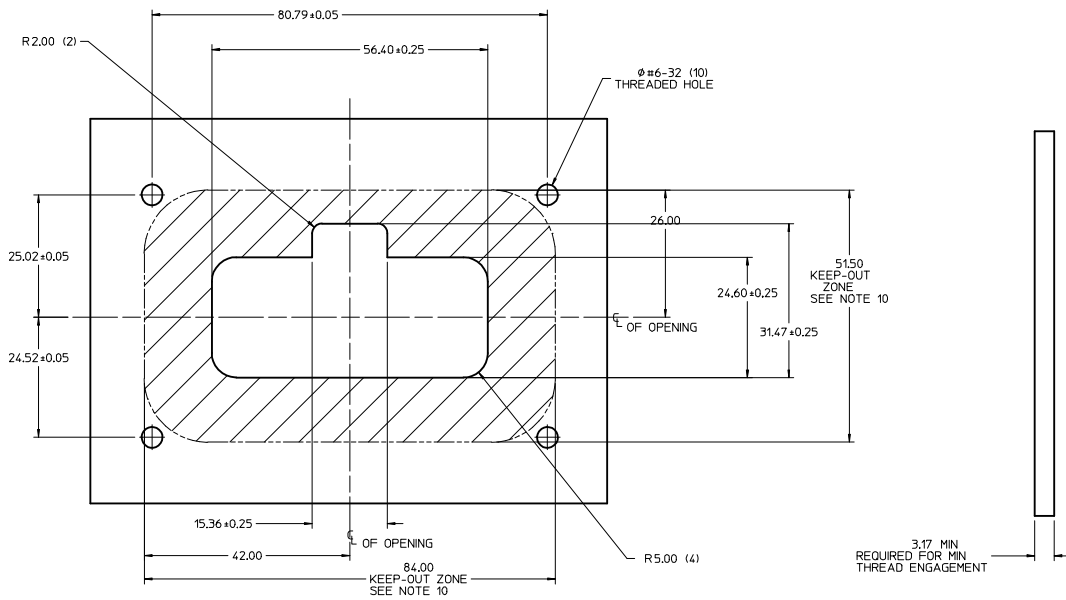
USE OF THIS PRODUCT REQUIRES THAT APPROPRIATE HIGH VOLTAGE WARNING LABELS BE APPLIED TO THE CABLE ASSEMBLY AND/OR IN CLOSE PROXIMITY OF THE MATED CONNECTOR APPLICATION IN A MANNER THAT PROVIDES SUITABLE WARNING TO THE END USER AND MEETS APPLICABLE LAWS. IT IS THE RESPONSIBILITY OF THE OEM OR MANUFACTURER OF THE PRODUCT IN WHICH THIS CONNECTOR SYSTEM IS USED TO APPLY THE APPROPRIATE HIGH VOLTAGE WARNING LABEL(S) TO THE FINAL PRODUCT. TO THE EXTENT MOLEX IS NOT RESPONSIBLE FOR THE FINAL CABLE ASSEMBLY, MOLEX DISCLAIMS ALL WARRANTIES AND LIABILITY THAT RESULT FROM A FAILURE TO PROVIDE AN APPROPRIATE WARNING.

REVISED PIN LOCATION EC NO: UCP2017-1062 DRAWN BY: MDATA CHKD: MDATA APPR: APATEL REV: 1	2016/10/02	2016/10/21	QUALITY SYMBOLS	GENERAL TOLERANCES (UNLESS SPECIFIED)	DIMENSION STYLE	SCALE	DESIGN UNITS	THIRD ANGLE PROJECTION	
			▽=0	mm INCH	MM ONLY	1:1	METRIC	☉	
			▽=0	4 PLACES ± --- ± ---	DRAWN BY DATE				
			▽=0	3 PLACES ± --- ± ---	CHECKED BY DATE				
			2 PLACES ± 0.60 ± ---	APATEL DATE					
			1 PLACE ± 0.90 ± ---	APATEL DATE					
			ANGULAR ±1/2°						
DRAFT WHERE APPLICABLE MUST REMAIN WITHIN DIMENSIONS				SEE CHART		DOCUMENT NO.		SHEET NO.	
				THIS DRAWING CONTAINS INFORMATION THAT IS PROPRIETARY TO MOLEX INCORPORATED AND SHOULD NOT BE USED WITHOUT WRITTEN PERMISSION		SD-171467-1000		1 OF 2	

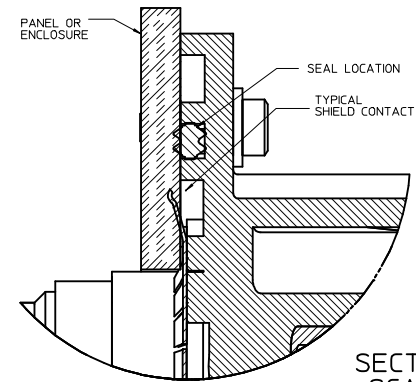
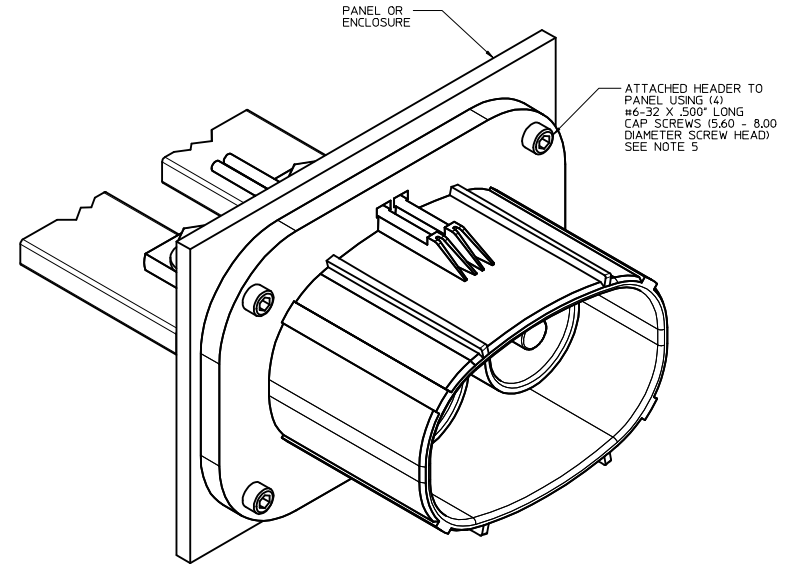
HEADER ASSY
PANEL MOUNT
IMPERIUM

MOLEX INCORPORATED

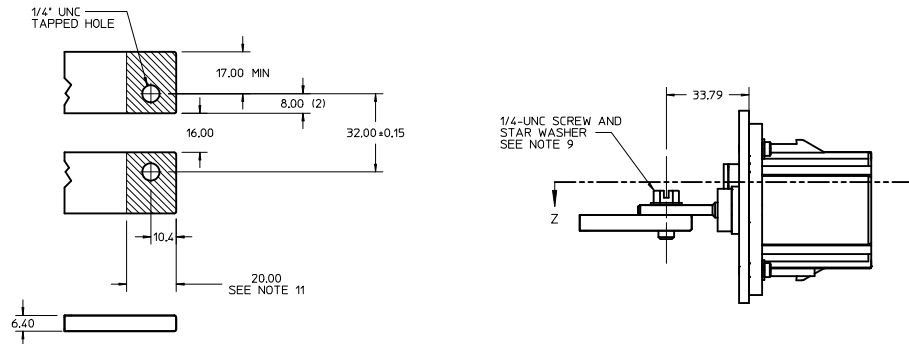
SD-171467-1000



PANEL REQUIREMENTS
SCALE 2:1



SECTION Z-Z
SCALE 4:1

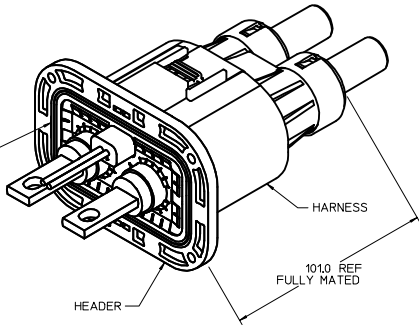


RECOMMENDED BUS BAR DETAIL

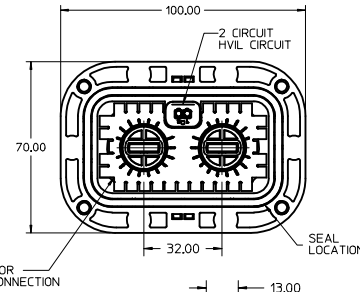
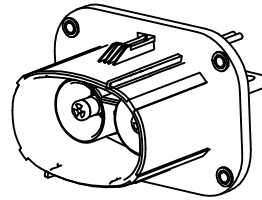
SEE SHEET 1 IEC NO: UCP2017-1062 DRAWN BY: CHYD APPR: APATEL DATE: 2016/12/21	QUALITY SYMBOLS	GENERAL TOLERANCES (UNLESS SPECIFIED)	DIMENSION STYLE	SCALE	DESIGN UNITS	THIRD ANGLE PROJECTION
	▽=0	mm INCH	MM ONLY	1:1	METRIC	☉
	▽=0	4 PLACES ± --- ± ---	DRAWN BY: MDATA	DATE: 2011/12/08	TITLE: HEADER ASSY PANEL MOUNT IMPERIUM	MOLEX INCORPORATED MATERIAL NO: SD-171467-1000 DOCUMENT NO: SD-171467-1000
	▽=0	3 PLACES ± --- ± ---	CHECKED BY: MDATA	DATE: 2011/12/21	APPROVED BY: APATEL	
▽=0	2 PLACES ± 0.60 ± ---	DRAFT WHERE APPLICABLE MUST REMAIN WITHIN DIMENSIONS	SEE CHART	SIZE D	THIS DRAWING CONTAINS INFORMATION THAT IS PROPRIETARY TO MOLEX INCORPORATED AND SHOULD NOT BE USED WITHOUT WRITTEN PERMISSION	
	1 PLACE ± 0.90 ± ---					SHEET NO. 2 OF 2

PART NUMBER	KEYING OPTION
171467-1001	A
171467-1002	B

MAIN PANEL SEAL MUST BE FULLY SEATED IN SEAL CAVITY BEFORE ATTACHMENT TO PANEL

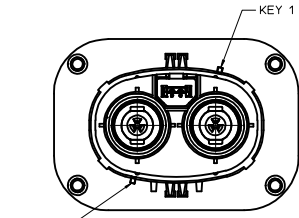


HEADER MATED TO HARNESS

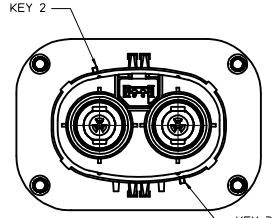


NOTES:

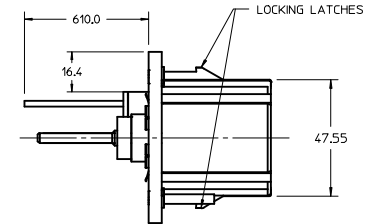
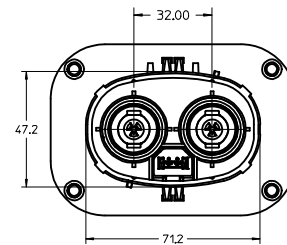
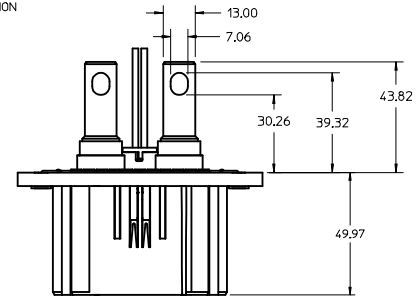
- MATERIAL:
MAIN HOUSING: POLYESTER 94V-0 (OPTIONAL UV STABILIZED)
COLOR: ORANGE
POWER TERMINALS: COPPER
HVIL TERMINALS: COPPER ALLOY
- FINISH:
POWER TERMINALS: SILVER OVER NICKEL PLATING
HVIL TERMINALS: TIN OVER NICKEL PLATING
- WIRE FOR HVIL TERMINALS: 18 GAGE TXL AUTOMOTIVE GRADE STRANDED WIRE
- MATES WITH HARNESS ASSEMBLY SERIES 171466-1***
- ATTACH HEADER WITH SCREWS TO PANEL PER MOLEX APPLICATION SPEC
- PRODUCT SPECIFICATION: PS-171467-001
- APPLICATION SPECIFICATION: AS-171467-001
- PACKAGING SPECIFICATION: PK-171467-999
- SHIELD MATING SURFACE WITHIN THE KEEP OUT ZONE MUST BE A CLEAN SURFACE WITH TIN OR NICKEL PLATING
- BUS BAR AND MOUNTING HARDWARE TO BE OVERALL TIN PLATED



OPTION A
KEYING 1-4
MOLEX STANDARD
KEYIN VERSION



OPTION B
KEYING 2-3

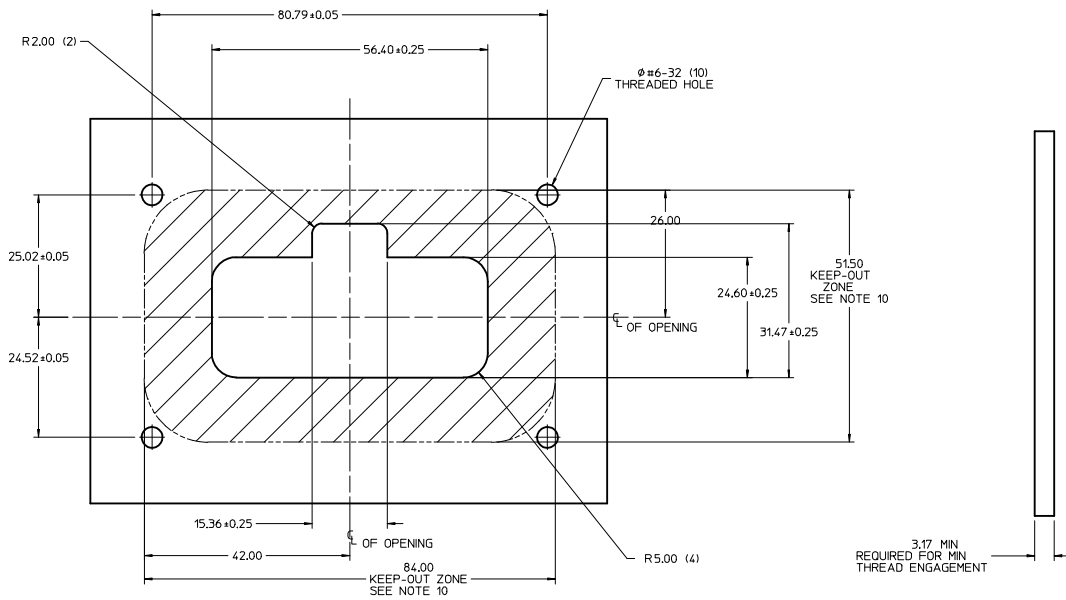


USE OF THIS PRODUCT REQUIRES THAT APPROPRIATE HIGH VOLTAGE WARNING LABELS BE APPLIED TO THE CABLE ASSEMBLY AND/OR IN CLOSE PROXIMITY OF THE MATED CONNECTOR APPLICATION IN A MANNER THAT PROVIDES SUITABLE WARNING TO THE END USER AND MEETS APPLICABLE LAWS. IT IS THE RESPONSIBILITY OF THE OEM OR MANUFACTURER OF THE PRODUCT IN WHICH THIS CONNECTOR SYSTEM IS USED TO APPLY THE APPROPRIATE HIGH VOLTAGE WARNING LABEL(S) TO THE FINAL PRODUCT. TO THE EXTENT MOLEX IS NOT RESPONSIBLE FOR THE FINAL CABLE ASSEMBLY, MOLEX DISCLAIMS ALL WARRANTIES AND LIABILITY THAT RESULT FROM A FAILURE TO PROVIDE AN APPROPRIATE WARNING.

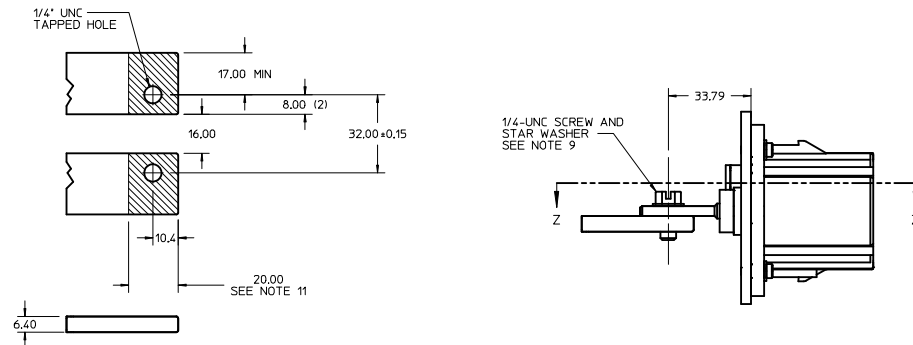
REVISED PIN LOCATION EC NO: UCP2017-1062 DRAWN BY: MDATA CHKD: MDATA APPR: APATEL DESCRIPTION: 2016/10/21	QUALITY SYMBOLS	GENERAL TOLERANCES (UNLESS SPECIFIED)	DIMENSION STYLE	SCALE	DESIGN UNITS	THIRD ANGLE PROJECTION
	▽=0	mm INCH	MM ONLY	1:1	METRIC	☉
	▽=0	4 PLACES ± --- ± ---	DRAWN BY DATE			
	▽=0	3 PLACES ± --- ± ---	CHECKED BY DATE			
		2 PLACES ± 0.60 ± ---	MDATA 2011/12/08			
		1 PLACE ± 0.90 ± ---	MDATA 2011/12/21			
		ANGULAR ±1/2°	APATEL 2012/04/11			
		DRAFT WHERE APPLICABLE MUST REMAIN WITHIN DIMENSIONS	APPROVED BY DATE			
			APATEL 2012/04/11			
			MATERIAL NO.	DOCUMENT NO.		
			SEE CHART	SD-171467-1000		
			SIZE D			
			THIS DRAWING CONTAINS INFORMATION THAT IS PROPRIETARY TO MOLEX INCORPORATED AND SHOULD NOT BE USED WITHOUT WRITTEN PERMISSION			

HEADER ASSY
PANEL MOUNT
IMPERIUM

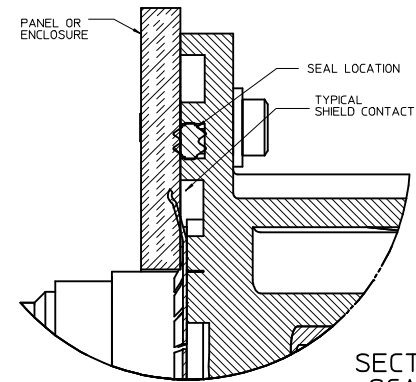
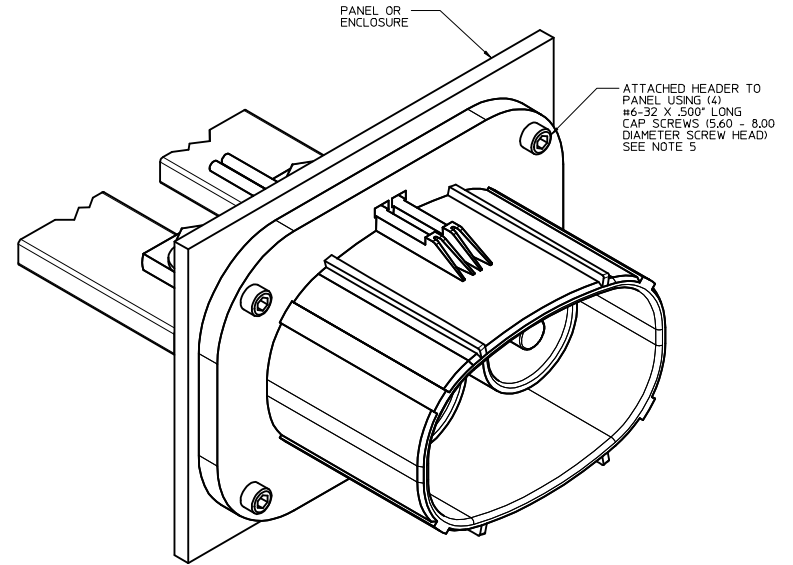
MOLEX INCORPORATED
SHEET NO. 1 OF 2



PANEL REQUIREMENTS
SCALE 2:1



RECOMMENDED BUS BAR DETAIL



SECTION Z-Z
SCALE 4:1

SEE SHEET 1 IEC NO: UCP2017-1062 DRAWN BY: CHYD APPR: APATEL DATE: 2016/12/21	QUALITY SYMBOLS	GENERAL TOLERANCES (UNLESS SPECIFIED)	DIMENSION STYLE	SCALE	DESIGN UNITS	THIRD ANGLE PROJECTION
	▽=0	mm INCH	MM ONLY	1:1	METRIC	☉
	▽=0	4 PLACES ± --- ± ---	DRAWN BY: MDATA	DATE: 2011/12/08	TITLE: HEADER ASSY PANEL MOUNT IMPERIUM	MOLEX INCORPORATED MATERIAL NO: SD-171467-1000 DOCUMENT NO: 2 OF 2
	▽=0	3 PLACES ± --- ± ---	CHECKED BY: MDATA	DATE: 2011/12/21		
▽=0	2 PLACES ± 0.60 ± ---	APPROVED BY: APATEL	DATE: 2012/04/11	SIZE: D	THIS DRAWING CONTAINS INFORMATION THAT IS PROPRIETARY TO MOLEX INCORPORATED AND SHOULD NOT BE USED WITHOUT WRITTEN PERMISSION	
	1 PLACE ± 0.90 ± ---	ANGULAR ± 1/2°	DRAFT WHERE APPLICABLE MUST REMAIN WITHIN DIMENSIONS	SEE CHART		