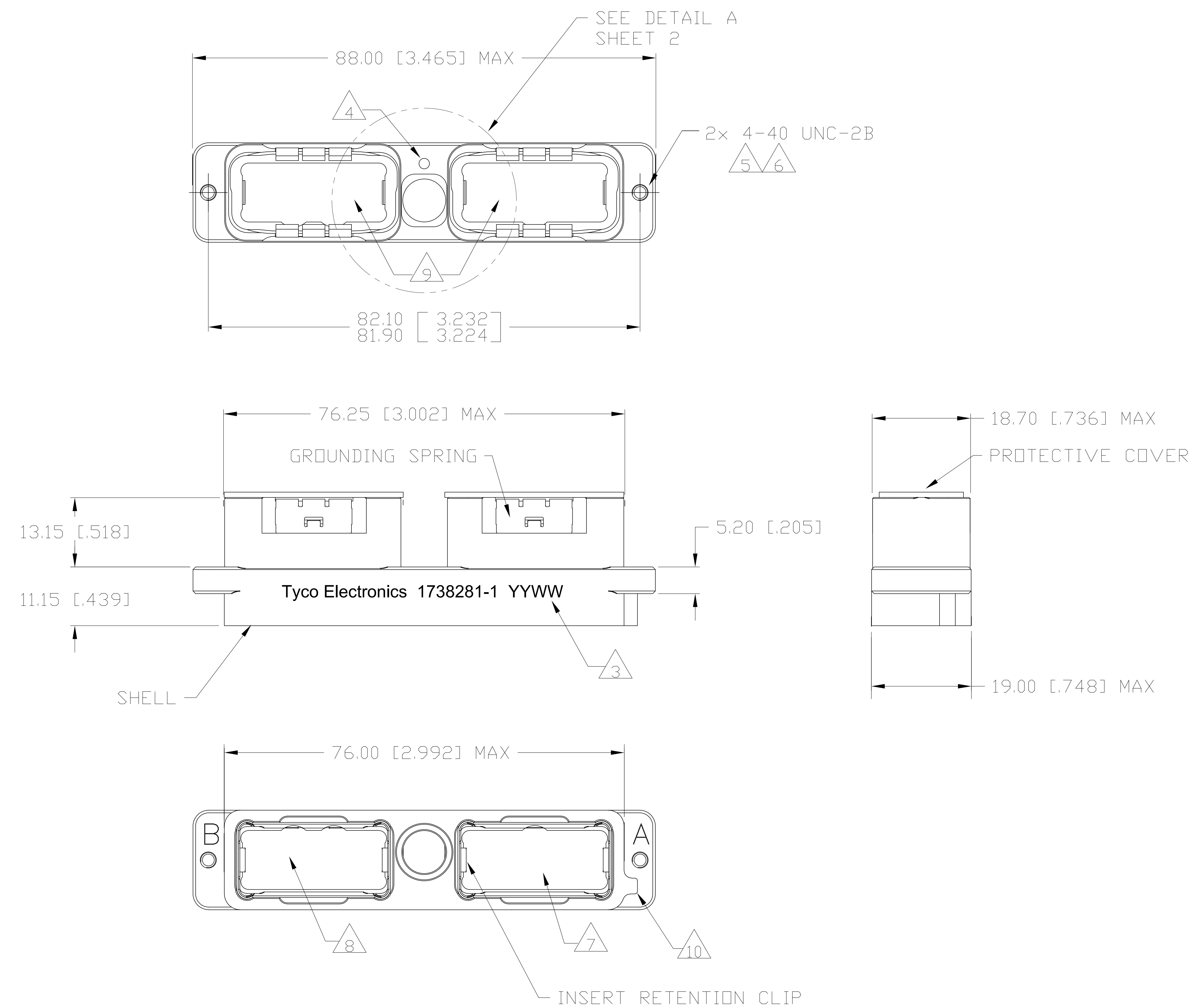


REV	DESCRIPTION	DATE	BY	APP'D
2	CONVERTED RADIAL DWG TO TYCO ACAD DWG	10/04	RF	JM
3	REVISED	06APR10	RF	JM

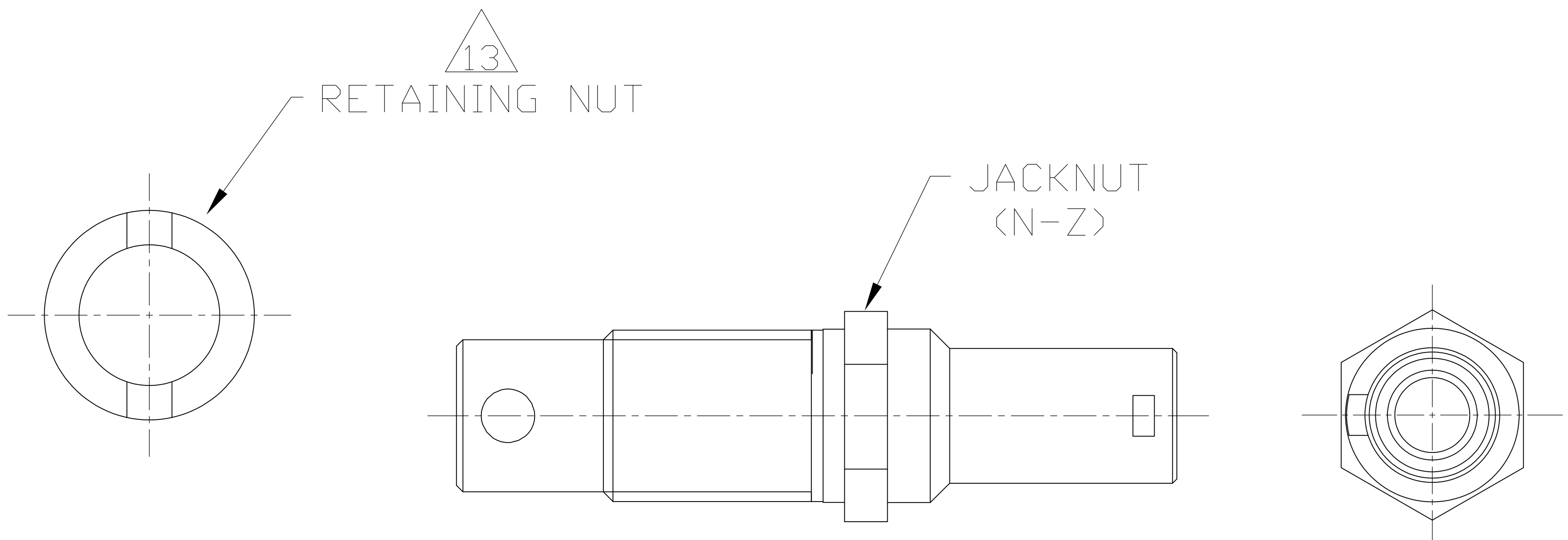
- 1 SHELL: ALUMINUM ALLOY 6061 T651
INSERT RETENTION CLIP & GROUNDING SPRING: COPPER ALLOY PER ASTM B194
JACKNUT & RETAINING NUT: STAINLESS STEEL PER AISI 316
JACKNUT SPRING: STAINLESS STEEL PER AISI 302
PROTECTIVE COVER: THERMOPLASTIC ELASTOMER
- 2 SHELL: ELECTROLESS NICKEL PER SAE AMS-C-26074, CLASS 1.
GROUNDING SPRING: ELECTROLYTIC NICKEL PER SAE AMS-QQ-290.
- 3 DATE CODE - YEAR & WEEK (YY WW)
- 4 INDEXING POINT FOR POLARIZATION.
- 5 4-40 SCREWS ARE REQUIRED FOR PANEL MOUNTING (NOT INCLUDED)
RECOMMENDED TORQUE 1.1 N-m [10 in-lb] MIN
- 6 THREADED HOLES ARE SELF-LOCKING, HAVING THE SPIRALOCK® THREAD FORM.
SPIRALOCK® IS A REGISTERED TRADEMARK OF SPIRALOCK CORPORATION.
- 7 SHELL CAVITY FOR GPRB SERIES INSERTS WITH KEYING CODE A.
- 8 SHELL CAVITY FOR GPRB SERIES INSERTS WITH KEYING CODE B.
- 9 PROTECTIVE COVERS NOT SHOWN FOR CLARITY.
- 10 POLARIZATION FEATURE TO PREVENT FRONT PANEL MOUNTING.
- 11 SCREW HEAD DIAMETER: 6.00 [.236] MAX.
- 12 THE JACKNUT AND RETAINING NUT ARE SHIPPED UNASSEMBLED.
THE CUSTOMER SHALL APPLY LOCTITE® PRODUCT 272 THREADLOCKING ADHESIVE WHEN INSTALLING THESE ON THE SHELL ASSEMBLY. LOCTITE® IS A REGISTERED TRADEMARK OF LOCTITE CORPORATION.
- 13 A SPANNER WRENCH TOOL, TYCO ELECTRONICS P/N 1738220-1 (WITH 1/4-in ADAPTER) OR 1738221-1 (WITH T-HANDLE), IS USED TO LOCK THE RETAINING NUT.
RECOMMENDED LOCKING TORQUE: 1.5 N-m [13 in-lb].
14. PITCH FOR SIDE-BY-SIDE MOUNTING: 19.50 [.768] MIN.
15. DESCRIPTIVE PART NUMBER: GPRB2HL23N
SERIES: GPRB
SHELL SIZE: 2 (TWO-CAVITY SHELL)
SHELL STYLE: H (RECEPTACLE WITH GROUNDING SPRINGS)
MODIFICATION CODE: L (2x 4-40 UNC MOUNTING HOLES FOR REAR PANEL-MOUNTING)
LOCKING & POLARIZING DEVICE: 2 (JACKNUT)
POLARIZATION CODE: 3 (N-Z JACKNUT HARDWARE SHIPPED UNASSEMBLED)
SHELL PLATING: N (NICKEL PLATING)
16. THIS PRODUCT IS SOLD BY TYCO ELECTRONICS UNDER A LICENSE FROM RADIAL SA.



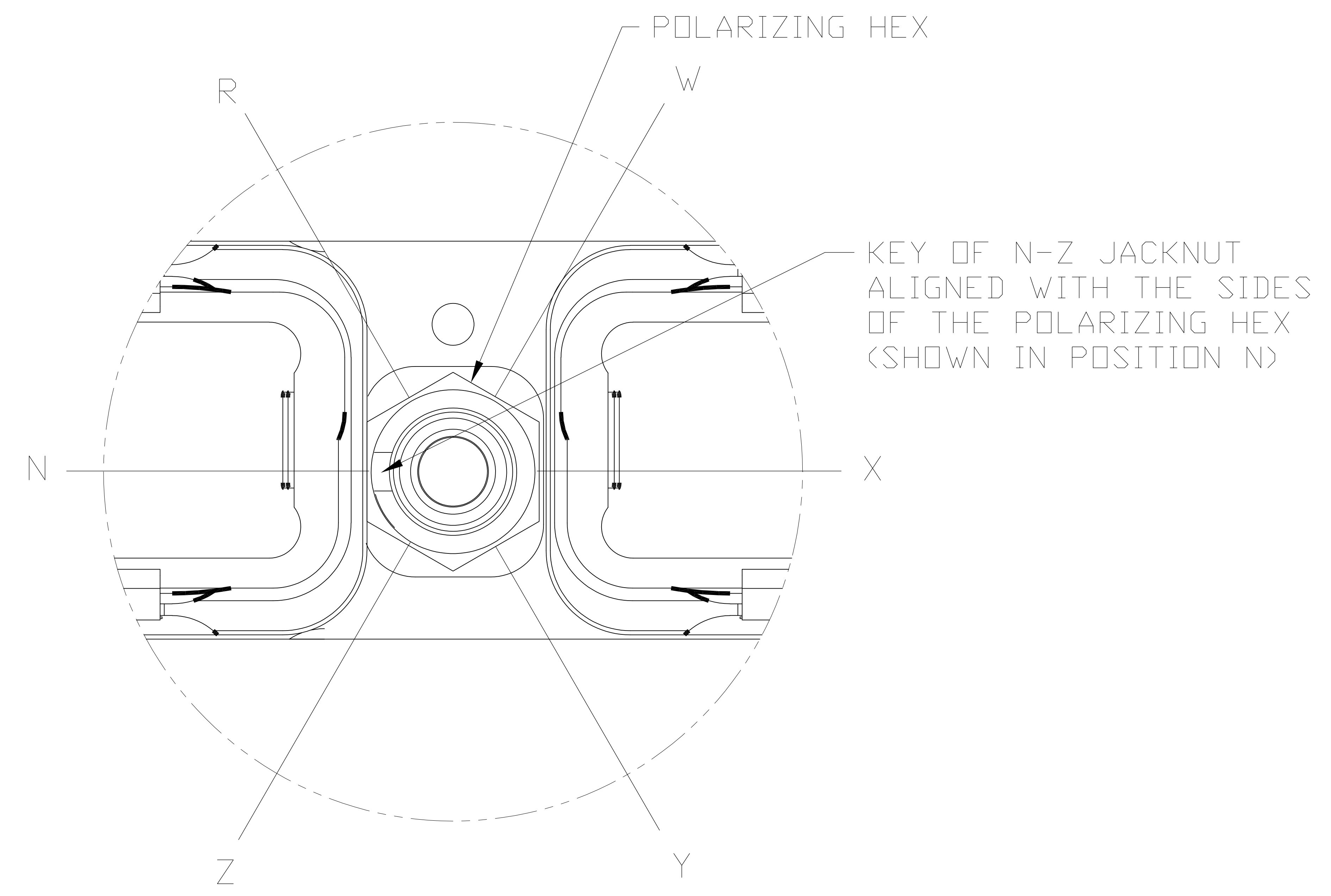
THIS PRINT IS
PRELIMINARY
UNQUALIFIED PRODUCT
CONTACT PRODUCT ENGINEERING
BEFORE USING THIS PRINT

1738281-1
PART NUMBER

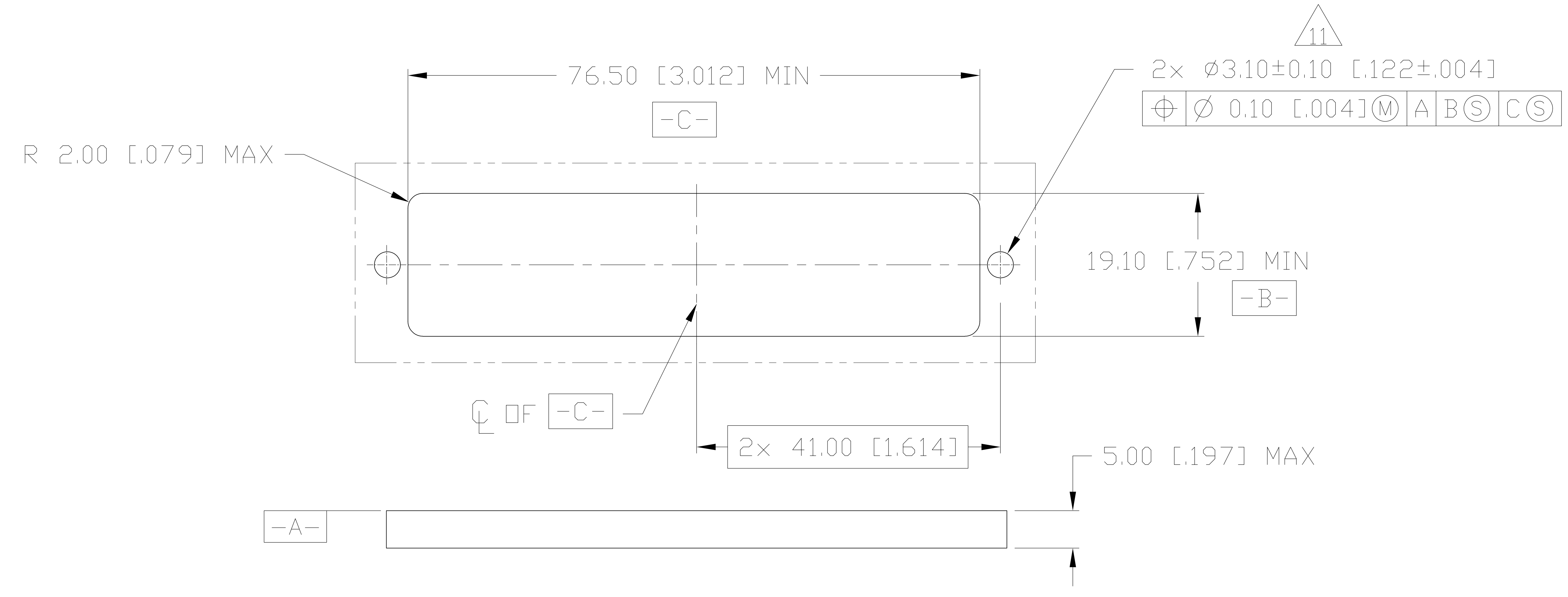
THIS DRAWING IS A CONTROLLED DOCUMENT.		DATE: 06/10/10	REV: 3	Tyco Electronics Corporation Harrisburg, Pa 17105-3608
DIMENSIONS: mm (INCHES) TOLERANCES UNLESS OTHERWISE SPECIFIED: D. P.L.C. ± .01 F. P.L.C. ± .01 H. P.L.C. ± .01 (0.08) J. P.L.C. ± .01 K. P.L.C. ± .01 M. P.L.C. ± .01	DESIGNER: J. MOSIER DRAWN: J. MOSIER CHECKED: J. MOSIER PRODUCT SPEC: - APPLICATION SPEC: - WEIGHT: - FINISH: - CUSTOMER DRAWING	DATE: 06/10/10 REV: 3 SCALE: 1:1 SHEET: 1 OF 2 REV: 3	RECEPTACLE SHELL KIT, REAR PANEL MOUNT, WITH N-Z JACKNUT, GPRB2	



JACKNUT KIT 12



DETAIL A - JACKNUT KIT ASSEMBLED



RECOMMENDED PANEL CUTOUT

THIS PRINT IS
PRELIMINARY
UNQUALIFIED PRODUCT
CONTACT PRODUCT ENGINEERING
BEFORE USING THIS PRINT

1738281-1
PART NUMBER

THIS DRAWING IS A CONTROLLED DOCUMENT.		REV: 00	DATE: OCT14	Tyco Electronics Corporation Harrisburg, Pa 17105-3608	
DIMENSIONS: mm (INCHES)		DESIGNER: J. MOSIER	DATE: OCT14	RECEPTACLE SHELL KIT, REAR PANEL MOUNT, WITH N-Z JACKNUT, GPRB2	
TOLERANCES UNLESS OTHERWISE SPECIFIED:		APP'D: J. MOSIER	DATE: OCT14	SIZE: 1738281-1	
Ø	±	PRODUCT SPEC		DRAWING NO: A000779	
Ø	±	APPLICATION SPEC		RESTRICTED TO:	
Ø	±	WEIGHT		SCALE: 1:1	
Ø	±	CUSTOMER DRAWING		SHEET 2 OF 2	
				REV 3	