

| ATLANTIC VERSION TERMINATOR INTERFACE ADAPTER | PART NUMBER | REVISION | DESCRIPTION | FEED TYPE | APPLICATOR STYLE CONVERSION CHART | | | | | | |
|---|-------------|--------------------------|--------------------------|-------------------|-----------------------------------|-----------------------|-----------|-------------|-----------|-----------|------------------------|
| | | | | | CONVERT TO | PART NUMBERS REQUIRED | | | | | |
| | 2151643-1 | B | FINE CRIMP HEIGHT ADJUST | MECHANICAL | PNEUMATIC FEED | 2119950-1 | 1338683-3 | 5-18022-5 | 2119641-1 | 2119799-1 | 2063440-1 |
| | | | | | SERVO LATCH PLATE | 2119951-1 | - | 8-2151643-5 | 1901094-3 | - | 2168400-6 (QUANTITY 2) |
| | | | | | SMART APPLICATOR | 2161326-1 | - | 8-2151643-4 | - | - | - |
| | 2151643-2 | B | FINE CRIMP HEIGHT ADJUST | PNEUMATIC | MECHANICAL FEED | 2119949-1 | 1338683-3 | 5-18022-5 | 2119653-1 | - | - |
| | | | | | SERVO LATCH PLATE | 2119951-1 | - | 8-2151643-5 | 1901094-3 | - | 2168400-6 (QUANTITY 2) |
| | 2151643-5 | B | FINE CRIMP HEIGHT ADJUST | SERVO LATCH PLATE | SERVO LATCH PLATE | MECHANICAL FEED | 2119949-1 | 1338683-3 | 5-18022-5 | 2119653-1 | - |
| | | | | | | PNEUMATIC FEED | 2119950-1 | 1338683-3 | 5-18022-5 | 2119641-1 | 2119799-1 |
| 2151643-6 | B | NON-CRIMP HEIGHT ADJUST | NON-CRIMP HEIGHT ADJUST | SERVO LATCH PLATE | - | - | - | - | - | - | |
| 2151643-7 | B | FINE CRIMP HEIGHT ADJUST | FINE CRIMP HEIGHT ADJUST | NONE | - | - | - | - | - | - | |
| 7-2151643-7 | A | CRIMP TOOLING KIT | CRIMP TOOLING KIT | - | - | - | - | - | - | - | |

| APPLICATOR DATA | | |
|-----------------|----------------|------|
| CRIMP | SIZE | TYPE |
| WIRE | 2.92 mm [.115] | F |
| INSUL | 3.81 mm [.150] | F |

APPLICATOR INSTRUCTIONS 408-10389

| TERMINAL DATA: DELPHI PACKARD TERMINAL & SPECIFICATION | | | |
|--|-------------------------|------------------------------|-------------------------|
| TERMINAL NAME: RING | | | |
| WIRE STRIP LENGTH | | INSULATION DIAMETER RANGE | |
| 6.70-7.50 mm [.264-.295 IN] | | Ø2.03-2.40 mm [.080-.094 IN] | |
| TERMINAL APPLICATION SPECIFICATION | 02989521 Rev - | | |
| TERMINALS APPLIED | | | |
| TE TERMINAL | DELPHI PACKARD TERMINAL | TE TERMINAL | DELPHI PACKARD TERMINAL |
| 2113266-1 | 02989521 | | |

| WIRE SIZE | CRIMP HEIGHT mm [INCH] | CRIMP HEIGHT REFERENCE SETTING |
|-----------|----------------------------|--------------------------------|
| 0.80mm2 | 2.20+/-0.05 [.087+/- .002] | 11.2 |
| 0.50mm2 | 2.15+/-0.05 [.085+/- .002] | 12.0 |

- 1 RECOMMENDED SPARE PARTS
- 2 GREASE BEARING SURFACES LIGHTLY
- 3. LUBRICATE DAILY PER THE APPLICATOR INSTRUCTION SHEET SUPPLIED WITH THE APPLICATOR.
- 4 APPLICATOR SPECIFIC DATA TO BE ENTERED INTO BLANK MEMORY CHIP AT ASSEMBLY. SEE BELOW FOR PART NUMBER:
 MECHANICAL FEED WITH "SMART APPLICATOR" CONVERSION: 8-2151643-4
 PNEUMATIC FEED WITH "SMART APPLICATOR" CONVERSION: 8-2151643-4
 SERVO FEED WITH "FINE CRIMP HEIGHT ADJUST": 8-2151643-5
 SERVO FEED WITH "NON-CRIMP HEIGHT ADJUST": 8-2151643-6
- 5. ADJUSTMENT OF THE STRIPPER MAY BE REQUIRED WHEN MOVING THE APPLICATOR BETWEEN BENCH AND LEADMAKER APPLICATIONS.
- 6 APPLY PART NUMBER 1-23419-5 LOCTITE TO THREADS OF ITEM 62. APPLY PART NUMBER 2-23419-6 LOCTITE TO THREADS OF ITEM 242. FOR -6 ONLY APPLY PART NUMBER 1-23419-5 LOCTITE TO THREADS OF ITEM 37.
- 7 GREASE THREADS, GROOVE AND O-RING ON ITEMS 35 & 252.
- 8 MAGNET, ITEM 166 MUST BE ORIENTED CORRECTLY IN ORDER TO PROPERLY ACTUATE THE COUNTER.
- 9 CRIMP HEIGHT REFERENCE SETTING WAS THE SETTING USED WHEN THE APPLICATOR WAS QUALIFIED AT THE FACTORY. ADJUSTMENT MAY BE NECESSARY WHEN RUNNING APPLICATOR IN THE FIELD.
- 10 SPARE FEED CAM STORAGE LOCATION REFER TO INSTRUCTION SHEET FOR ADDITIONAL INFORMATION.
- 11 WHEN ASSEMBLING -6 NON-CRIMP HEIGHT ADJUST APPLICATOR USE SHIM PACK 2119957-2 TO ALIGN APPLICATOR'S MAXIMUM WIRE CRIMP HEIGHT AT NORMAL TERMINATOR SHUT HEIGHT

***WARNING**
 ON INSTALLATION, SET WIRE DISC, ITEM 40 TO LARGEST WIRE SIZE SETTING. USE OF SETTINGS BELOW MINIMUM REQUIRED CRIMP HEIGHT SETTING WILL CAUSE DAMAGE TO CRIMP TOOLING.

| | | | | | | | | |
|-----|----|----|----|----|----|-------------|---------------------------------|---------|
| - | 1 | 1 | 1 | 1 | 1 | 3-18031-6 | SCR, SET, CUP POINT M2.5 X 3.0 | 266 |
| - | 2 | 2 | 2 | 2 | 2 | 2168083-2 | SCR, SKT HD CAP, RoHS, M4 X 8.0 | 265 |
| - | 1 | 1 | 1 | 1 | 1 | 1-1583859-9 | BLADE, SLUG | 264 |
| - | 1 | 1 | 1 | 1 | 1 | 1-2168083-0 | SCR, SKT HD CAP, RoHS, M4 X 10 | 263 |
| - | 1 | 1 | 1 | 1 | 1 | 2119924-4 | SHEAR, LOWER | 262 |
| - | - | 1 | - | - | - | 2119957-2 | APPLICATOR SHIM PACK | 260 |
| - | 1 | - | 1 | 1 | 1 | 8-21084-0 | O-RING, .676 ID, .070 DIA. MAT. | 252 |
| -77 | -7 | -6 | -5 | -2 | -1 | PART NO | DESCRIPTION | ITEM NO |

ATLANTIC VERSION
 Shown on sheets 1 of 4 & 2 of 4
 (Pacific version shown on sheets 3 of 4 & 4 of 4)

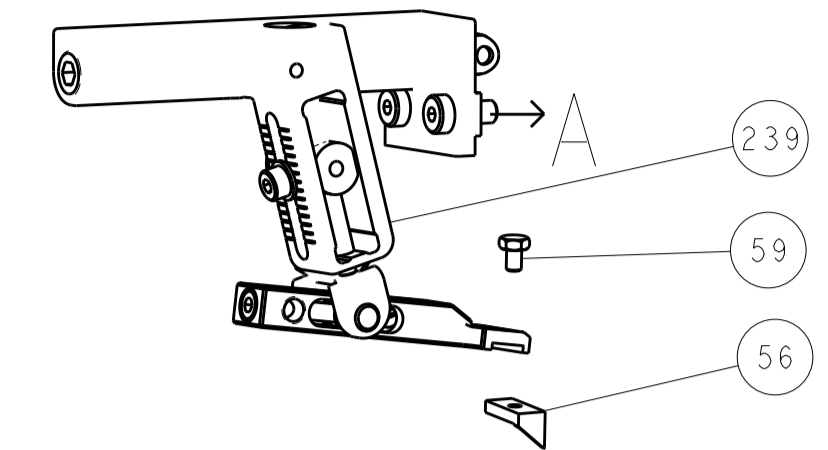
| SET UP GAUGE | | LOC | DIST | REVISIONS | | | |
|--------------|--|-----|------|---------------|-----------|-----|------|
| 2119599-1 | | A | 66 | P | DATE | OWN | APVD |
| | | A | | RELEASED | 29AUG2012 | RK | TE |
| | | B | | ECR-17-015471 | 19OCT2017 | KH | TE |

| | | | | | | | | |
|-----|-----|-----|-----|-----|-----|-------------|-------------------------------------|---------|
| - | - | - | - | 1 | - | 2119640-1 | PUSH ROD, AIR FEED | 250 |
| - | - | - | - | 1 | - | 2079988-1 | BUSHING, LCH5-12, MISUMI | 249 |
| - | - | - | - | 1 | - | 2119641-1 | FEED CAM, AIR FEED | 248 |
| - | 1 | - | 1 | 1 | 1 | 2119798-1 | DETENT PIN | 247 |
| - | 1 | - | 1 | 1 | 1 | 1-22279-3 | SPRING, COMPRESSION | 246 |
| - | - | 1 | - | - | - | 2119758-1 | RAM, AMP STYLE, SIDE FEED, NON-ADJ. | 245 |
| - | 1 | 1 | 1 | 1 | 1 | 2119082-6 | CAM, SNAIL, INSULATION ADJUSTMENT | 244 |
| - | 1 | 1 | 1 | 1 | 1 | 2079764-1 | WASHER, WAVE SPRING, CREST-TO-CREST | 243 |
| - | 1 | 1 | 1 | 1 | 1 | 2119083-1 | RETAINER, INSULATION DIAL | 242 |
| - | - | 2 | 2 | - | - | 2168400-6 | SHCS, LOW HEAD, RoHS, M5 X 16 | 240 |
| - | - | - | - | - | 1 | 2119580-1 | MECHANICAL FEED ASSEMBLY | 239 |
| - | - | - | - | 1 | - | 2063440-1 | AIR FEED MODULE | 238 |
| - | - | 1 | 1 | - | - | 2119740-2 | TAG, IDENTIFICATION | 213 |
| - | - | 1 | 1 | - | - | 1901094-3 | SPACER, FEEDER | 198 |
| - | - | - | - | 2 | - | 21045-3 | RING, RETAIN, EXTERN, 3/16 CRESCENT | 172 |
| - | 1 | 1 | 1 | 1 | 1 | 994969-1 | MAGNET, RARE EARTH HIGH ENERGY | 166 |
| - | REF | REF | REF | REF | REF | 994970-2 | COUNTER, MAGNETIC | 164 |
| - | - | - | - | 1 | - | 240638-1 | SPRING, FEED FINGER | 163 |
| - | - | - | - | 1 | - | 3-23627-7 | PIN, RETAIN, GRVD, 3/16 X .854 | 137 |
| - | - | - | - | 1 | - | 2119799-1 | HOLDER, FEED FINGER, AF | 136 |
| - | - | REF | REF | - | - | SEE NOTE 4 | MEMORY CHIP, PROGRAMMED | 135 |
| - | - | 1 | 1 | - | - | 1633743-1 | SERVO FEED LATCH ASM | 133 |
| - | - | REF | REF | - | - | 2119944-1 | FEED FINGER ASSEMBLY, SF | 117 |
| - | 1 | 1 | 1 | 1 | 1 | 1-690712-0 | FRONT STRIP GUIDE | 96 |
| - | 2 | 2 | 2 | 2 | 2 | 1-2168083-3 | SCR, SKT HD CAP, RoHS, M3 X 16 | 95 |
| - | 1 | 1 | 1 | 1 | 1 | 455888-5 | SPACER, CRIMPER | 82 |
| - | 2 | 2 | 2 | 2 | 2 | 2168083-1 | SCR, SKT HD CAP, RoHS, M3 X 8.0 | 79 |
| - | 1 | 1 | 1 | 1 | 1 | 1633782-4 | FENCE | 78 |
| - | 1 | 1 | 1 | 1 | 1 | 2119956-1 | DOCUMENTATION PACKAGE | 71 |
| - | 1 | - | - | 1 | 1 | 2119740-1 | TAG, IDENTIFICATION | 67 |
| - | 2 | 2 | 2 | 2 | 2 | 2168078-1 | SCREW, DRIVE, RH, RoHS, 2 x .188 | 66 |
| - | 1 | - | 1 | 1 | 1 | 2119793-1 | LIMITER, ADJUSTMENT BOLT | 63 |
| - | 3 | - | 3 | 3 | 3 | 992763-5 | SCR, SET, SOC, CONE PNT, M3 x 4.0 | 62 |
| - | 2 | 2 | 2 | 2 | 2 | 2-18032-5 | SCR, SET, FLT PNT, M5 X 20.0 | 61 |
| - | 1 | 1 | 1 | 1 | 1 | 2079383-4 | SCR, BHSC, RoHS (M4 X 8) | 60 |
| - | - | - | - | 1 | 1 | 5-18022-5 | SCR, HEX HD CAP, M4 X 6.0 | 59 |
| - | - | - | - | 1 | 1 | 1338683-3 | FEED PAWL | 56 |
| - | 2 | 2 | 2 | 2 | 2 | 2-2168083-6 | SCR, SKT HD CAP, RoHS, M4 X 18 | 53 |
| - | 1 | 1 | 1 | 1 | 1 | 1-811242-0 | BUMPER, HOLD DOWN | 51 |
| - | 1 | 1 | 1 | 1 | 1 | 2119830-7 | HOLDER, SLUG BLADE | 50 |
| - | - | - | - | 1 | 2 | 18023-9 | SCR, SKT HD CAP M4 X 6.0 | 49 |
| - | - | - | - | - | 1 | 2119652-1 | FEED CAM, PRE FEED | 48 |
| - | - | - | - | - | 1 | 2119653-1 | FEED CAM, POST FEED | 47 |
| - | 1 | 1 | 1 | 1 | 1 | 2119656-1 | APPLICATOR BASIC ASSEMBLY, SF | 46 |
| - | 1 | - | 1 | 1 | 1 | 2119370-1 | RAM, AMP STYLE, SIDE FEED | 44 |
| - | 1 | 1 | 1 | 1 | 1 | 2079383-7 | SCR, BHSC, RoHS (M8 X 25) | 41 |
| - | 1 | - | 1 | 1 | 1 | 2119645-1 | DISC, NUMBERED FA WIRE ADJUSTMENT | 40 |
| - | 1 | - | 1 | 1 | 1 | 2119957-1 | APPLICATOR SHIM PACK | 39 |
| - | 1 | 1 | 1 | 1 | 1 | 2119644-3 | RAM WASHER, PRECISION | 38 |
| - | 1 | 1 | 1 | 1 | 1 | 2119085-1 | FA HEAD, ATLANTIC STYLE | 37 |
| - | 1 | - | 1 | 1 | 1 | 2119092-1 | BOLT, ADJUSTMENT | 35 |
| - | 2 | 2 | 2 | 2 | 2 | 2079383-5 | SCR, BHSC, RoHS (M4 X 20) | 33 |
| - | 1 | 1 | 1 | 1 | 1 | 2161328-1 | HEX HEAD, FLANGED, M5 x 8mm LONG | 32 |
| - | 1 | 1 | 1 | 1 | 1 | 1-1320908-6 | SPACER, STRIP GUIDE | 30 |
| - | 1 | 1 | 1 | 1 | 1 | 2119959-3 | ASSEMBLY, STRIP GUIDE | 29 |
| - | 2 | 2 | 2 | 2 | 2 | 22281-9 | SPRING, COMPRESSION | 27 |
| - | 1 | 1 | 1 | 1 | 1 | 356835-1 | LEVER, DRAG RELEASE | 26 |
| - | 1 | 1 | 1 | 1 | 1 | 5-690754-1 | DRAG, SPECIAL | 25 |
| - | 1 | 1 | 1 | 1 | 1 | 1633990-1 | PLATE, STRIP GUIDE | 24 |
| - | 1 | 1 | 1 | 1 | 1 | 980371-4 | SCR, SKT HD SHLDR 5.0 DIA X 6.0 | 23 |
| - | 1 | 1 | 1 | 1 | 1 | 2168083-2 | SCR, SKT HD CAP, RoHS, M4 X 8.0 | 21 |
| - | 1 | 1 | 1 | 1 | 1 | 1-18028-2 | WASHER, FLAT, REG M4 | 20 |
| - | 1 | 1 | 1 | 1 | 1 | 2119533-1 | STRIPPER, SIDE FEED | 19 |
| - | - | - | - | - | - | - | - | 10 |
| - | - | - | - | - | - | - | - | 9 |
| - | - | - | - | - | - | - | - | 8 |
| - | 1 | 1 | 1 | 1 | 1 | 1803065-1 | ANVIL, COMBINATION | 7 |
| - | - | - | - | - | - | - | - | 6 |
| - | - | - | - | - | - | - | - | 5 |
| - | 1 | 1 | 1 | 1 | 1 | 3-238009-8 | BLOCK, FL CRIMPER SPACER | 4 |
| - | 1 | 1 | 1 | 1 | 1 | 1803017-2 | CRIMPER, INSULATION F | 3 |
| - | 1 | 1 | 1 | 1 | 1 | 1-455888-1 | SPACER, CRIMPER | 2 |
| - | 1 | 1 | 1 | 1 | 1 | 1-1633860-3 | CRIMPER, WIRE | 1 |
| -77 | -7 | -6 | -5 | -2 | -1 | PART NO | DESCRIPTION | ITEM NO |

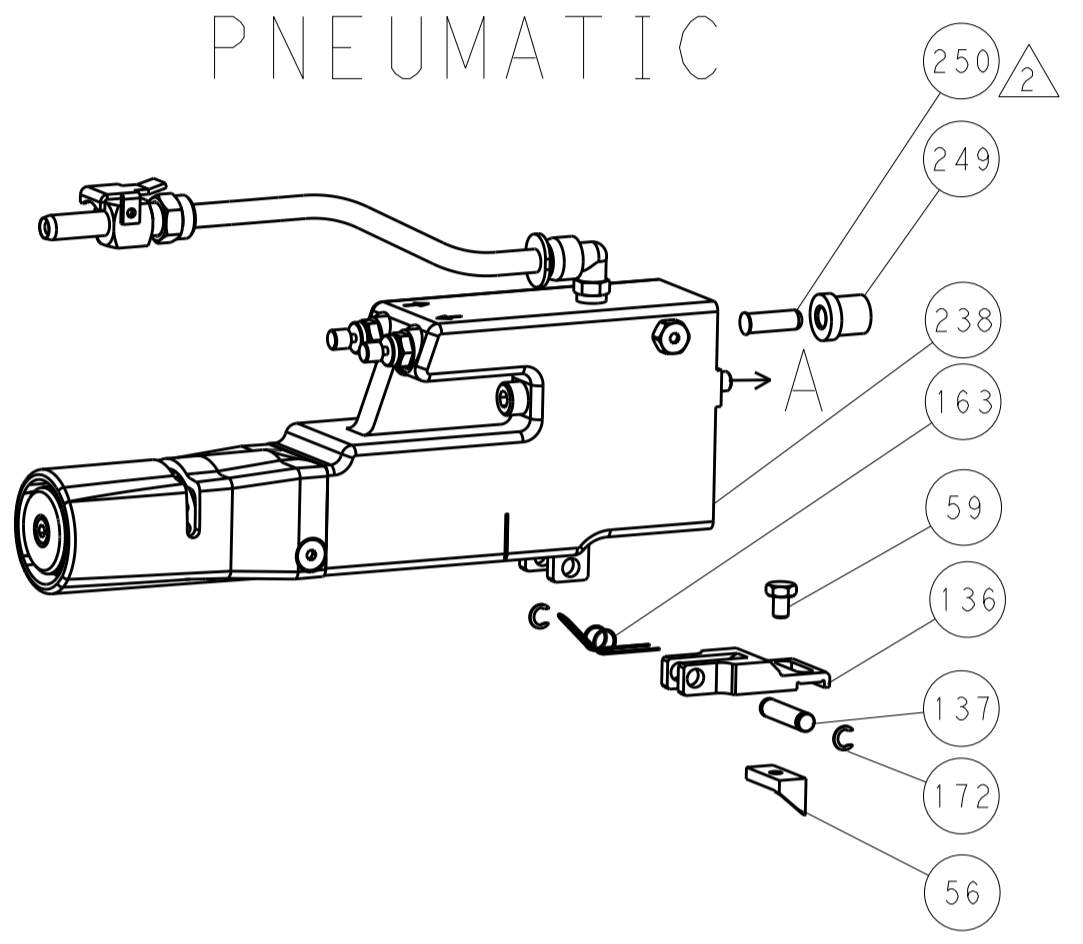
| DIMENSIONS: | | TOLERANCES UNLESS OTHERWISE SPECIFIED: | | APPLICATOR DATA | | CUSTOMER ACCESSIBLE PRODUCTION DRAWING | | |
|-------------|---------|--|---------|-----------------|---------|--|--------------|--|
| mm | 0 PLC ± | 1 PLC ± | 2 PLC ± | 3 PLC ± | 4 PLC ± | 5 PLC ± | 6 PLC ± | |
| ANGLES | FINISH | | WEIGHT | | SCALE | | SHEET 1 OF 4 | |
| MATERIAL | FINISH | | WEIGHT | | SCALE | | SHEET 1 OF 4 | |

| LOC | | DIST | | REVISIONS | | | |
|-----|----|------|-----|-------------|------|-----|------|
| A | 66 | P | LTM | DESCRIPTION | DATE | DWN | APVD |
| | | - | - | SEE SHEET 1 | - | - | - |

FEED TYPE MECHANICAL



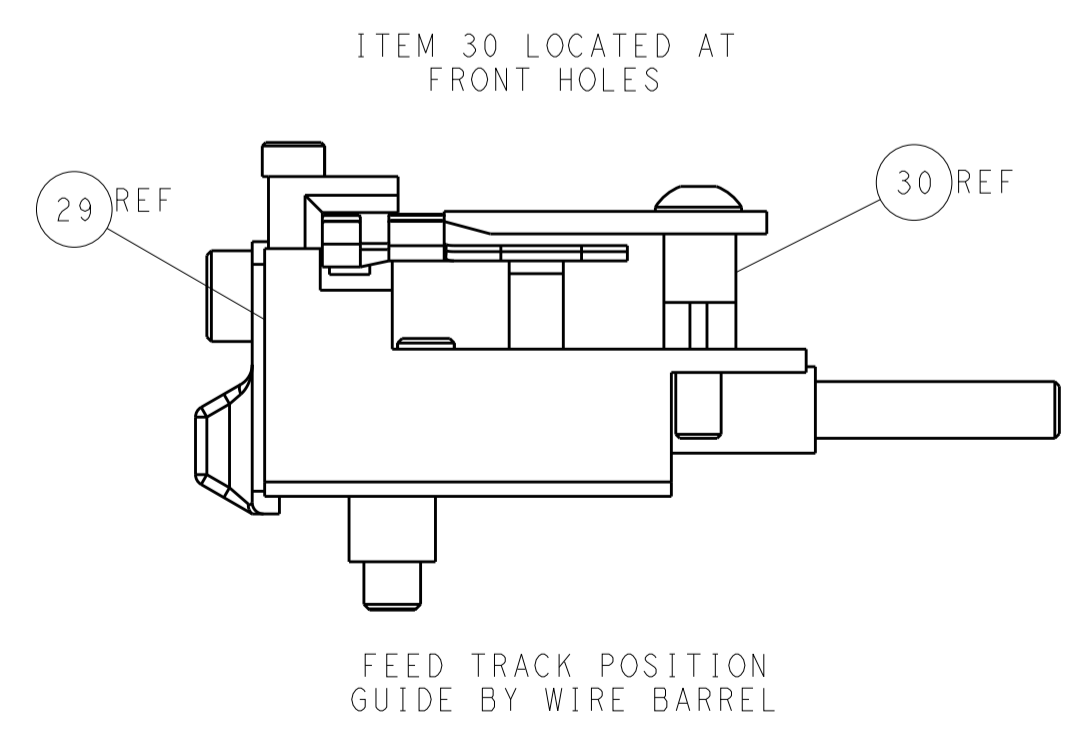
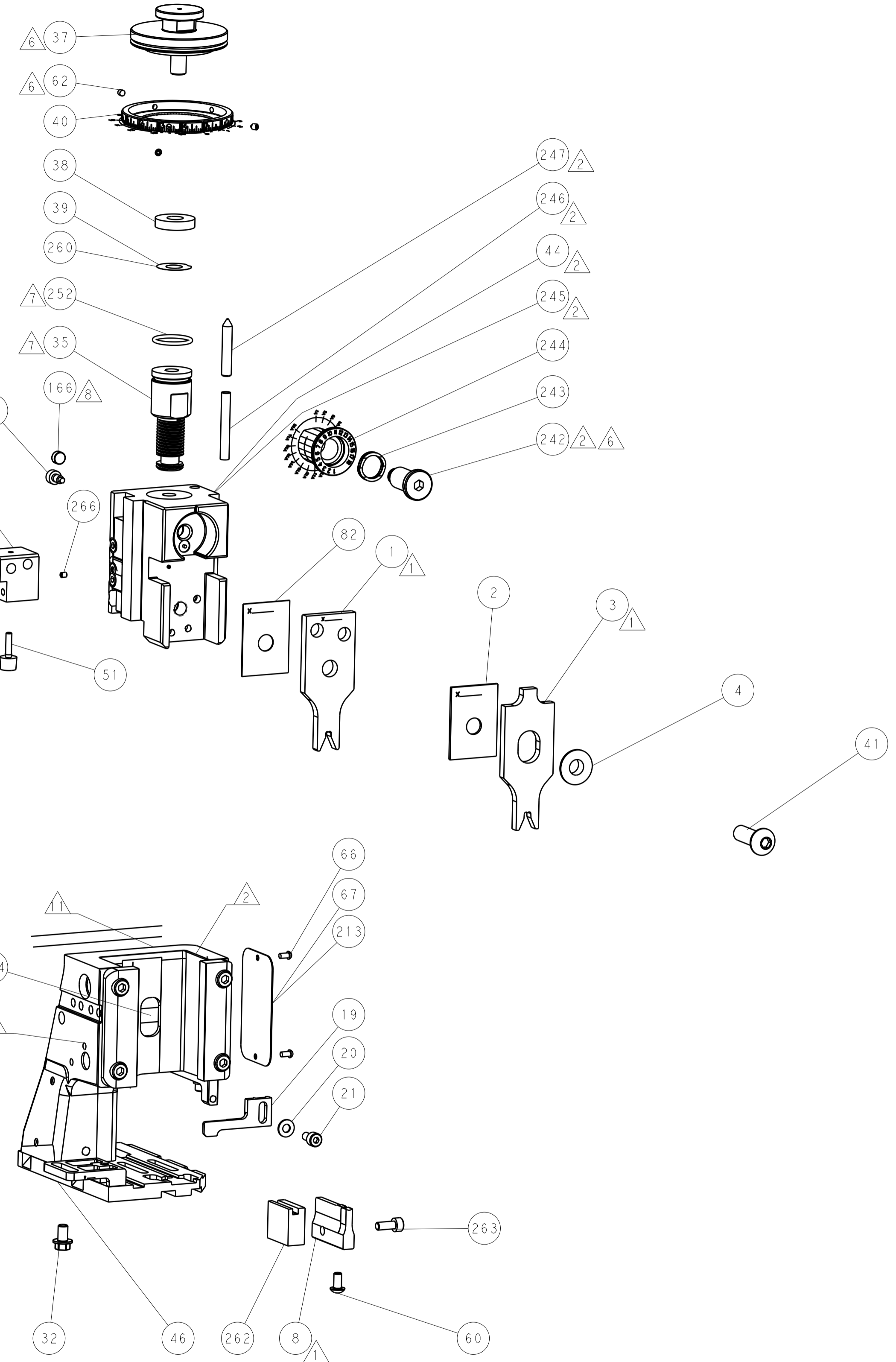
PNEUMATIC



SERVO LATCH PLATE



CAM POSITIONS



ATLANTIC VERSION
 Shown on sheets 1 of 4 & 2 of 4
 (Pacific version shown on sheets 3 of 4 & 4 of 4)

| | | | | | | | |
|-------------|--------|--|--|-----------------------------|--|--|---------------------------|
| DIMENSIONS: | | TOLERANCES UNLESS OTHERWISE SPECIFIED: | | DWN: R. KNEPPER 14MAY2012 | | TE Connectivity | |
| mm | 0 PLC | ± | | CHK: G. BAILEY 14MAY2012 | NAME: Ocean Side Feed Applicator | | Harrisburg, PA 17105-3608 |
| | 1 PLC | ± | | APVD: M. CLIFFORD 14MAY2012 | SIZE: CAGE CODE: DRAWING NO: A11 00779 ©=2151643 | | RESTRICTED TO: |
| | 2 PLC | ± | | PRODUCT SPEC: | | SCALE: 1:2 SHEET 2 OF 4 REV B | |
| | 3 PLC | ± | | APPLICATION SPEC: | | Customer Accessible Production Drawing | |
| | 4 PLC | ± | | WEIGHT: | | | |
| | ANGLES | ± | | FINISH: | | | |

| PACIFIC VERSION TERMINATOR INTERFACE ADAPTER | PART NUMBER | REVISION | DESCRIPTION | FEED TYPE | APPLICATOR STYLE CONVERSION CHART | | | | | | |
|--|-------------|----------|--------------------------|-------------------|-----------------------------------|-----------------------|-----------|-------------|-----------|-----------|------------------------|
| | | | | | CONVERT TO | PART NUMBERS REQUIRED | | | | | |
| | 2-2151643-1 | B | FINE CRIMP HEIGHT ADJUST | MECHANICAL | PNEUMATIC FEED | 2119950-1 | 1338683-3 | 5-18022-5 | 2119641-2 | 2119799-1 | 2063440-1 |
| | | | | | SERVO LATCH PLATE | 2119951-1 | - | 8-2151643-5 | 1901094-3 | - | 2168400-6 (QUANTITY 2) |
| | | | | | SMART APPLICATOR | 2161326-1 | - | 8-2151643-4 | - | - | - |
| | 2-2151643-2 | B | FINE CRIMP HEIGHT ADJUST | PNEUMATIC | MECHANICAL FEED | 2119949-1 | 1338683-3 | 5-18022-5 | 2119653-2 | - | - |
| | | | | | SERVO LATCH PLATE | 2119951-1 | - | 8-2151643-5 | 1901094-3 | - | 2168400-6 (QUANTITY 2) |
| | | | | | SMART APPLICATOR | 2161326-1 | - | 8-2151643-4 | - | - | - |
| | 2-2151643-5 | B | FINE CRIMP HEIGHT ADJUST | SERVO LATCH PLATE | MECHANICAL FEED | 2119949-1 | 1338683-3 | 5-18022-5 | 2119653-2 | - | - |
| | | | | | PNEUMATIC FEED | 2119950-1 | 1338683-3 | 5-18022-5 | 2119641-2 | 2119799-1 | 2063440-1 |
| | 2-2151643-7 | B | FINE CRIMP HEIGHT ADJUST | NONE | - | - | - | - | - | - | - |
| | 7-2151643-7 | A | CRIMP TOOLING KIT | - | - | - | - | - | - | - | - |

| APPLICATOR DATA | | |
|--------------------------------------|----------------|------|
| CRIMP | SIZE | TYPE |
| WIRE | 2.92 mm [.115] | F |
| INSUL | 3.81 mm [.150] | F |
| APPLICATOR INSTRUCTIONS 408-10389 | | |

| TERMINAL DATA: DELPHI PACKARD TERMINAL & SPECIFICATION | | | |
|--|-------------------------|---|-------------------------|
| TERMINAL NAME: RING | | | |
| WIRE STRIP LENGTH 6.70-7.50 mm [.264-.295 IN] | | INSULATION DIAMETER RANGE Ø2.03-2.40 mm [.080-.094 IN] | |
| TERMINAL APPLICATION SPECIFICATION 02989521 Rev - | | | |
| TERMINALS APPLIED | | | |
| TE TERMINAL | DELPHI PACKARD TERMINAL | TE TERMINAL | DELPHI PACKARD TERMINAL |
| 2113266-1 | 02989521 | | |

| WIRE SIZE | CRIMP HEIGHT mm [INCH] | CRIMP HEIGHT REFERENCE SETTING |
|-----------|-----------------------------|--------------------------------|
| 0.80mm2 | 2.20+/-0.05 [1.087+/-0.002] | 11.2 |
| 0.50mm2 | 2.15+/-0.05 [1.085+/-0.002] | 12.0 |

- RECOMMENDED SPARE PARTS
- GREASE BEARING SURFACES LIGHTLY
- 3. LUBRICATE DAILY PER THE APPLICATOR INSTRUCTION SHEET SUPPLIED WITH THE APPLICATOR.
- APPLICATOR SPECIFIC DATA TO BE ENTERED INTO BLANK MEMORY CHIP AT ASSEMBLY. SEE BELOW FOR PART NUMBER:
 MECHANICAL FEED WITH "SMART APPLICATOR" CONVERSION: 8-2151643-4
 PNEUMATIC FEED WITH "SMART APPLICATOR" CONVERSION: 8-2151643-4
 SERVO FEED WITH "FINE CRIMP HEIGHT ADJUST": 8-2151643-5
- 5. ADJUSTMENT OF THE STRIPPER MAY BE REQUIRED WHEN MOVING THE APPLICATOR BETWEEN BENCH AND LEADMAKER APPLICATIONS.
- APPLY PART NUMBER 1-23419-5 LOCTITE TO THREADS OF ITEM 62.
 APPLY PART NUMBER 2-23419-6 LOCTITE TO THREADS OF ITEM 242.
- GREASE THREADS, GROOVE AND O-RING ON ITEMS 139 & 152.
- MAGNET MUST BE ORIENTED CORRECTLY IN ORDER TO PROPERLY ACTUATE THE COUNTER.
- CRIMP HEIGHT REFERENCE SETTING WAS THE SETTING USED WHEN THE APPLICATOR WAS QUALIFIED AT THE FACTORY. ADJUSTMENT MAY BE NECESSARY WHEN RUNNING APPLICATOR IN THE FIELD.
- SPARE FEED CAM STORAGE LOCATION REFER TO INSTRUCTION SHEET FOR ADDITIONAL INFORMATION.

***WARNING**
 ON INSTALLATION, SET WIRE DISC, ITEM 40 TO LARGEST WIRE SIZE SETTING. USE OF SETTINGS BELOW MINIMUM REQUIRED CRIMP HEIGHT SETTING WILL CAUSE DAMAGE TO CRIMP TOOLING.

| | | | | | | | |
|-----|-----|-----|-----|-----|-------------|---------------------------------|---------|
| - | 1 | 1 | 1 | 1 | 3-18031-6 | SCR, SET, CUP POINT M2.5 X 3.0 | 266 |
| - | 2 | 2 | 2 | 2 | 2168083-2 | SCR, SKT HD CAP, RoHS, M4 X 8.0 | 265 |
| - | 1 | 1 | 1 | 1 | 1-1583859-9 | BLADE, SLUG | 264 |
| - | 1 | 1 | 1 | 1 | 1-2168083-0 | SCR, SKT HD CAP, RoHS, M4 X 10 | 263 |
| - | 1 | 1 | 1 | 1 | 2119924-4 | SHEAR, LOWER | 262 |
| -77 | -27 | -25 | -22 | -21 | PART NO | DESCRIPTION | ITEM NO |

PACIFIC VERSION
 Shown on sheets 3 of 4 & 4 of 4
 (Atlantic version shown on sheets 1 of 4 & 2 of 4)

| SET UP GAUGE | LOC | DIST | REVISIONS | | | |
|--------------|-----|------|-----------|-------------|----|------|
| 2119599-1 | A | 66 | REV | DATE | BY | APPD |
| | | | - | SEE SHEET 1 | | |

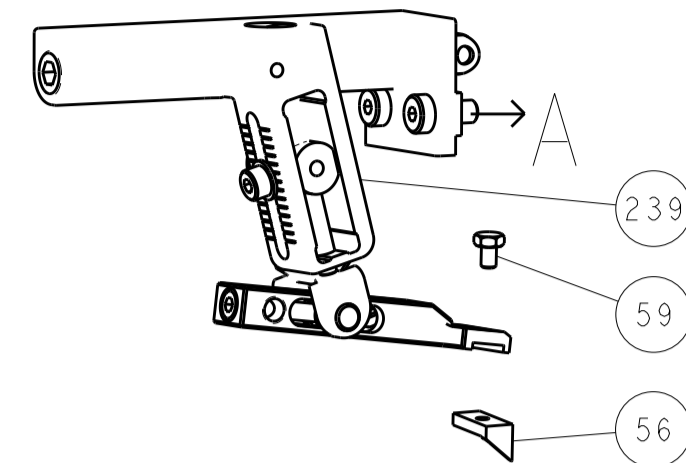
| | | | | | | | |
|-----|-----|-----|-----|-----|-------------|-------------------------------------|---------|
| - | 1 | 1 | 1 | 1 | 2119782-1 | FINE ADJUST HEAD ASM, PACIFIC STYLE | 251 |
| - | - | - | 1 | - | 2119640-1 | PUSH ROD, AIR FEED | 250 |
| - | - | - | 1 | - | 2079988-1 | BUSHING, LCH5-12, MISUMI | 249 |
| - | 1 | 1 | 1 | 1 | 1-22279-3 | SPRING, COMPRESSION | 246 |
| - | 1 | 1 | 1 | 1 | 2119082-6 | CAM, SNAIL, INSULATION ADJUSTMENT | 244 |
| - | 1 | 1 | 1 | 1 | 2079764-1 | WASHER, WAVE SPRING, CREST-TO-CREST | 243 |
| - | 1 | 1 | 1 | 1 | 2119083-1 | RETAINER, INSULATION DIAL | 242 |
| - | - | 2 | - | - | 2168400-6 | SHCS, LOW HEAD, RoHS, M5 X 16 | 240 |
| - | - | - | - | 1 | 2119580-1 | MECHANICAL FEED ASSEMBLY | 239 |
| - | - | - | - | 1 | 2063440-1 | AIR FEED MODULE | 238 |
| - | - | 1 | - | - | 2119740-2 | TAG, IDENTIFICATION | 213 |
| - | - | 1 | - | - | 1901094-3 | SPACER, FEEDER | 198 |
| - | - | - | 2 | - | 21045-3 | RING, RETAIN, EXTERN, 3/16 CRESCENT | 172 |
| - | 1 | 1 | 1 | 1 | 994969-1 | MAGNET, RARE EARTH HIGH ENERGY | 166 |
| - | REF | REF | REF | REF | 994970-2 | COUNTER, MAGNETIC | 164 |
| - | - | - | 1 | - | 240638-1 | SPRING, FEED FINGER | 163 |
| - | 1 | 1 | 1 | 1 | 8-21084-1 | O-RING, .801 ID, .070 DIA. MAT. | 152 |
| - | - | - | 1 | - | 2119641-2 | FEED CAM, AIR FEED | 151 |
| - | 1 | 1 | 1 | 1 | 2119798-2 | DETENT PIN | 145 |
| - | 1 | 1 | 1 | 1 | 2079383-8 | SCR, BHSC, RoHS (M4 X 16) | 144 |
| - | - | - | - | 1 | 2119653-2 | FEED CAM, POST FEED | 142 |
| - | 1 | 1 | 1 | 1 | 2119656-2 | APPLICATOR BASIC ASSEMBLY, SF | 141 |
| - | 1 | 1 | 1 | 1 | 2119650-1 | RAM, ASIAN STYLE, SIDE FEED | 140 |
| - | 1 | 1 | 1 | 1 | 2119092-2 | BOLT, ADJUSTMENT | 139 |
| - | - | - | 1 | - | 3-23627-7 | PIN, RETAIN, GRVD, 3/16 X .854 | 137 |
| - | - | - | 1 | - | 2119799-1 | HOLDER, FEED FINGER, AF | 136 |
| - | - | REF | - | - | SEE NOTE 4 | MEMORY CHIP, PROGRAMMED | 135 |
| - | - | 1 | - | - | 1633743-1 | SERVO FEED LATCH ASM | 133 |
| - | - | REF | - | - | 2119944-1 | FEED FINGER ASSEMBLY, SF | 117 |
| - | 1 | 1 | 1 | 1 | 1-690712-0 | FRONT STRIP GUIDE | 96 |
| - | 2 | 2 | 2 | 2 | 1-2168083-3 | SCR, SKT HD CAP, RoHS, M3 X 16 | 95 |
| - | 1 | 1 | 1 | 1 | 455888-5 | SPACER, CRIMPER | 82 |
| - | 2 | 2 | 2 | 2 | 2168083-1 | SCR, SKT HD CAP, RoHS, M3 X 8.0 | 79 |
| - | 1 | 1 | 1 | 1 | 1633782-4 | FENCE | 78 |
| - | 1 | 1 | 1 | 1 | 2119956-1 | DOCUMENTATION PACKAGE | 71 |
| - | 1 | - | 1 | 1 | 2119740-1 | TAG, IDENTIFICATION | 67 |
| - | 2 | 2 | 2 | 2 | 2168078-1 | SCREW, DRIVE, RH, RoHS, 2 x .188 | 66 |
| - | 1 | 1 | 1 | 1 | 2119793-1 | LIMITER, ADJUSTMENT BOLT | 63 |
| - | 3 | 3 | 3 | 3 | 992763-5 | SCR, SET, SOC, CONE PNT, M3 X 4.0 | 62 |
| - | 2 | 2 | 2 | 2 | 2-18032-5 | SCR, SET, FLT PNT, M5 X 20.0 | 61 |
| - | - | - | 1 | 1 | 5-18022-5 | SCR, HEX HD CAP, M4 X 6.0 | 59 |
| - | - | - | 1 | 1 | 1338683-3 | FEED PAWL | 56 |
| - | 2 | 2 | 2 | 2 | 2-2168083-6 | SCR, SKT HD CAP, RoHS, M4 X 18 | 53 |
| - | 1 | 1 | 1 | 1 | 1-811242-0 | BUMPER, HOLD DOWN | 51 |
| - | 1 | 1 | 1 | 1 | 2119830-7 | HOLDER, SLUG BLADE | 50 |
| - | - | - | 1 | 2 | 18023-9 | SCR, SKT HD CAP M4 X 6.0 | 49 |
| - | - | - | - | 1 | 2119652-1 | FEED CAM, PRE FEED | 48 |
| - | 1 | 1 | 1 | 1 | 2079383-7 | SCR, BHSC, RoHS (M8 X 25) | 41 |
| - | 1 | 1 | 1 | 1 | 2119645-1 | DISC, NUMBERED FA WIRE ADJUSTMENT | 40 |
| - | 1 | 1 | 1 | 1 | 2119957-1 | APPLICATOR SHIM PACK | 39 |
| - | 1 | 1 | 1 | 1 | 2119644-3 | RAM WASHER, PRECISION | 38 |
| - | 2 | 2 | 2 | 2 | 2079383-5 | SCR, BHSC, RoHS (M4 X 20) | 33 |
| - | 1 | 1 | 1 | 1 | 2161328-1 | HEX HEAD, FLANGED, M5 X 8mm LONG | 32 |
| - | 1 | 1 | 1 | 1 | 1-1320908-6 | SPACER, STRIP GUIDE | 30 |
| - | 1 | 1 | 1 | 1 | 2119959-3 | ASSEMBLY, STRIP GUIDE | 29 |
| - | 2 | 2 | 2 | 2 | 22281-9 | SPRING, COMPRESSION | 27 |
| - | 1 | 1 | 1 | 1 | 356835-1 | LEVER, DRAG RELEASE | 26 |
| - | 1 | 1 | 1 | 1 | 5-690754-1 | DRAG, SPECIAL | 25 |
| - | 1 | 1 | 1 | 1 | 1633990-1 | PLATE, STRIP GUIDE | 24 |
| - | 1 | 1 | 1 | 1 | 980371-4 | SCR, SKT HD SHLDR 5.0 DIA X 6.0 | 23 |
| - | 1 | 1 | 1 | 1 | 2168083-2 | SCR, SKT HD CAP, RoHS, M4 X 8.0 | 21 |
| - | 1 | 1 | 1 | 1 | 1-18028-2 | WASHER, FLAT, REG M4 | 20 |
| - | 1 | 1 | 1 | 1 | 2119533-1 | STRIPPER, SIDE FEED | 19 |
| - | - | - | - | - | - | - | 10 |
| - | - | - | - | - | - | - | 9 |
| - | - | - | - | - | - | - | 6 |
| - | - | - | - | - | - | - | 5 |
| - | 1 | 1 | 1 | 1 | 3-238009-8 | BLOCK, FL CRIMPER SPACER | 4 |
| - | 1 | 1 | 1 | 1 | 1803017-2 | CRIMPER, INSULATION F | 3 |
| - | 1 | 1 | 1 | 1 | 1-455888-1 | SPACER, CRIMPER | 2 |
| - | 1 | 1 | 1 | 1 | 1-1633860-3 | CRIMPER, WIRE | 1 |
| -77 | -27 | -25 | -22 | -21 | PART NO | DESCRIPTION | ITEM NO |

| DIMENSIONS: | | TOLERANCES UNLESS OTHERWISE SPECIFIED: | | DRAWING NO | |
|-------------|---------|--|---------|------------|---------|
| mm | 0 PLC ± | 1 PLC ± | 2 PLC ± | 3 PLC ± | 4 PLC ± |
| | ANGLES | FINISH | | | |
| MATERIAL | | WEIGHT | | | |

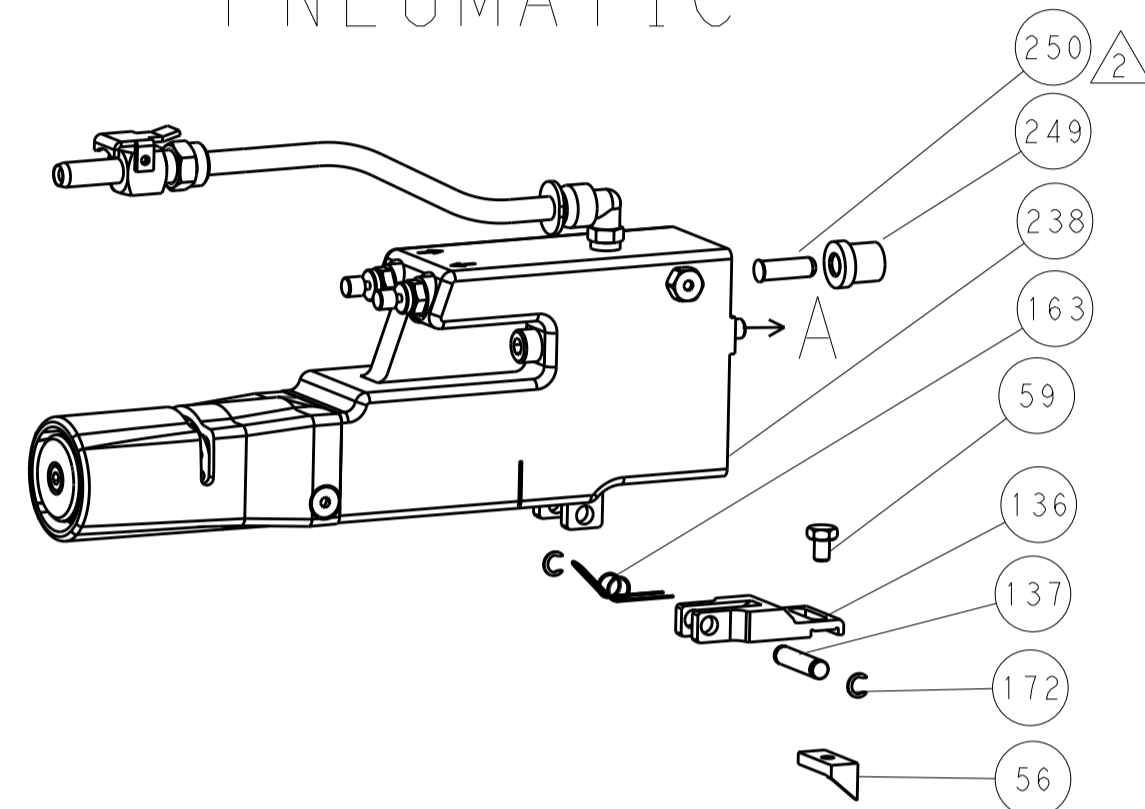
| | | | |
|--|-------------|-----------|--|
| CHK | R. KNEPPER | 14MAY2012 | TE Connectivity Harrisburg, PA 17105-3608 |
| CHK | G. BAILEY | 14MAY2012 | |
| APPD | M. CLIFFORD | 14MAY2012 | NAME |
| Customer Accessible Production Drawing | | | SCALE 1:2 SHEET 3 OF 4 REV B |

| LOC | | DIST | | REVISIONS | | | |
|-----|----|------|-----|-------------|------|-----|------|
| A | 66 | P | LTN | DESCRIPTION | DATE | DMN | APVD |
| | | - | | SEE SHEET 1 | | | |

FEED TYPE MECHANICAL



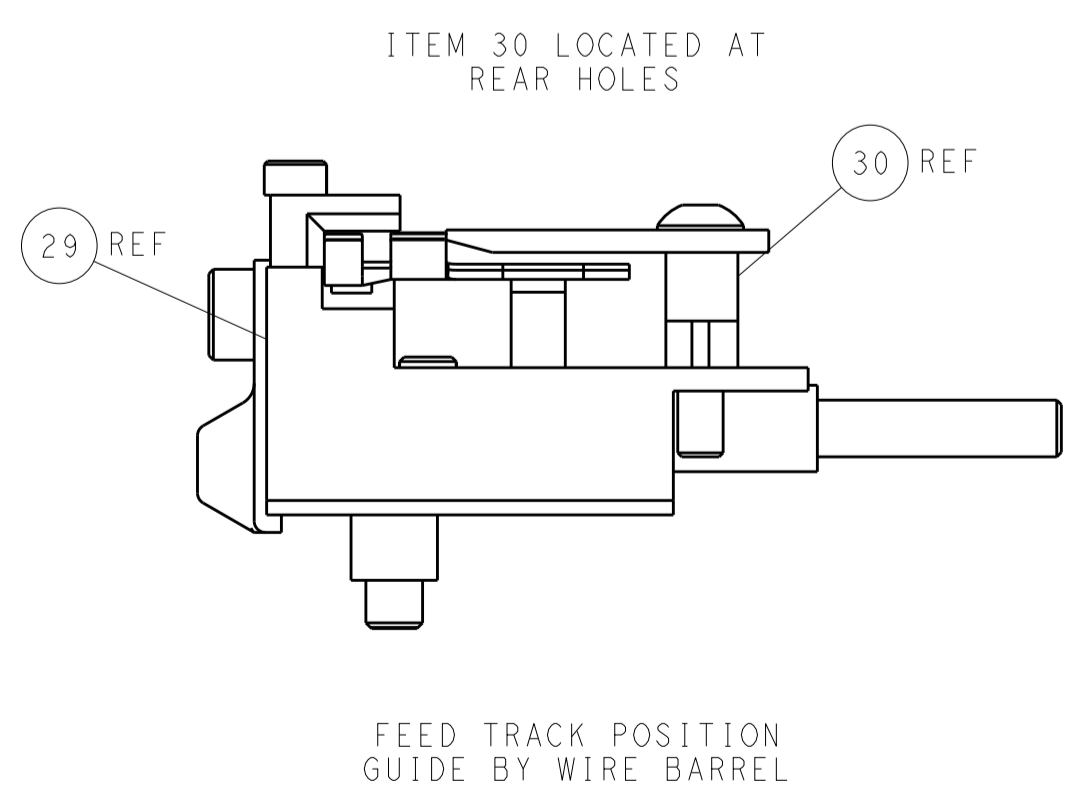
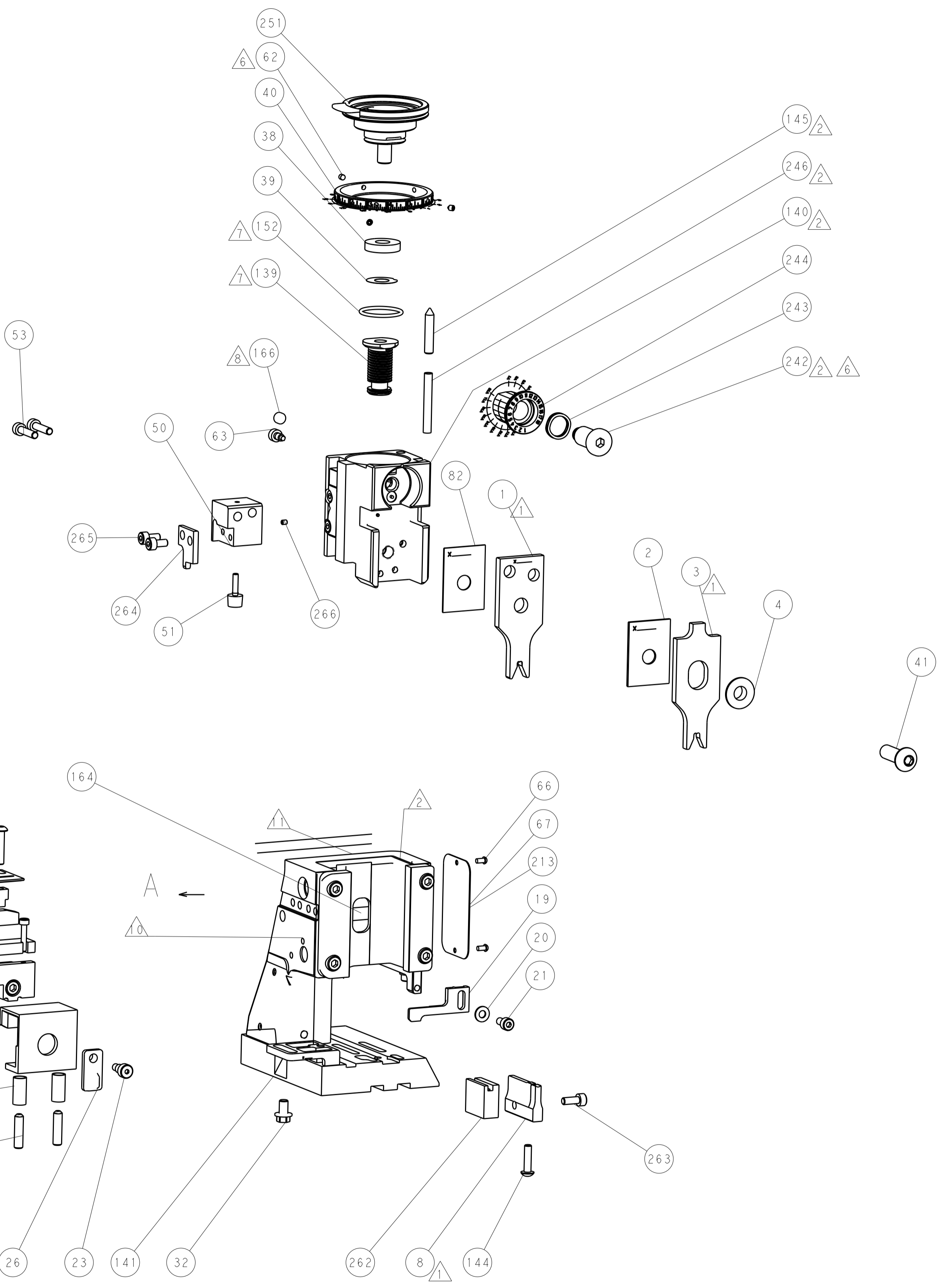
PNEUMATIC



SERVO LATCH PLATE



CAM POSITIONS



PACIFIC VERSION
 Shown on sheets 3 of 4 & 4 of 4
 (Atlantic version shown on sheets 1 of 4 & 2 of 4)

| | | | | | | | |
|-------------|---------|--|---------|---------------------------|---------|----------------------------------|----------------|
| DIMENSIONS: | | TOLERANCES UNLESS OTHERWISE SPECIFIED: | | DWG: R. KNEPPER 14MAY2012 | | NAME: Ocean Side Feed Applicator | |
| mm | 0 PLC ± | 1 PLC ± | 2 PLC ± | 3 PLC ± | 4 PLC ± | SIZE: A1 | RESTRICTED TO: |
| | ANGLES | FINISH | | WEIGHT | | CAGE CODE: 00779 | |
| MATERIAL: | | | | SCALE: 1:2 | | SHEET 4 OF 4 REV B | |