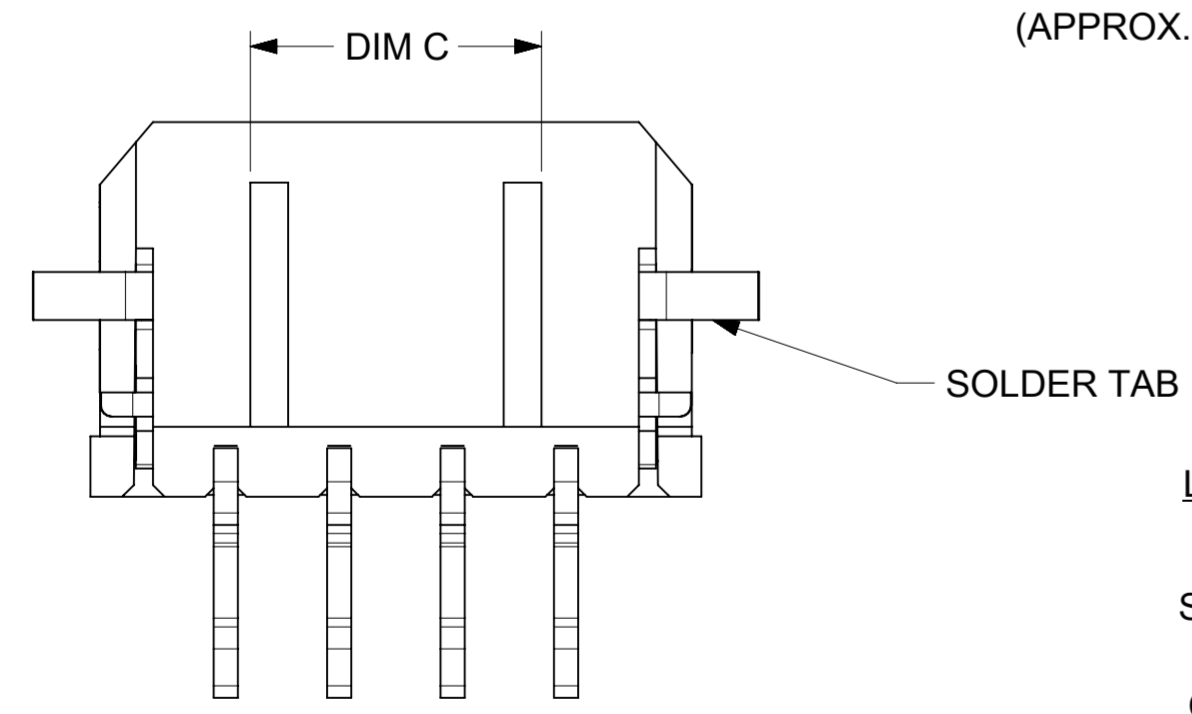
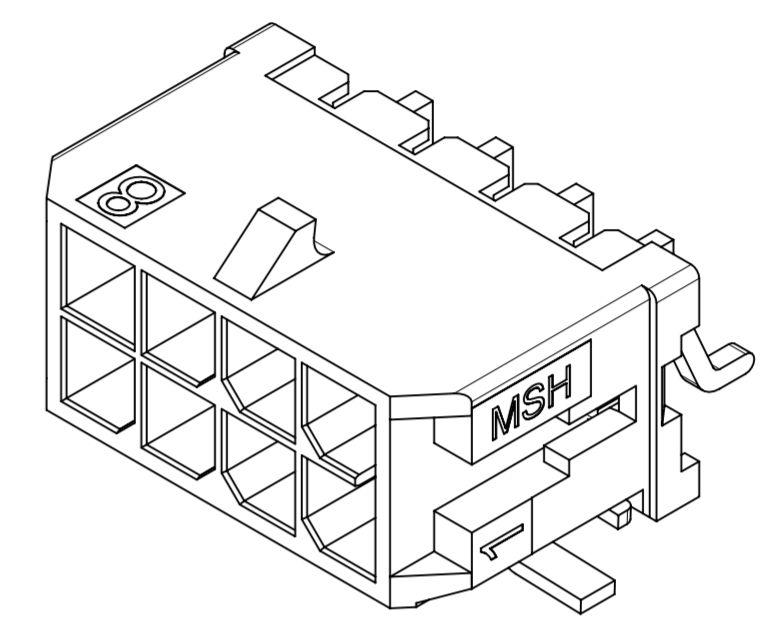
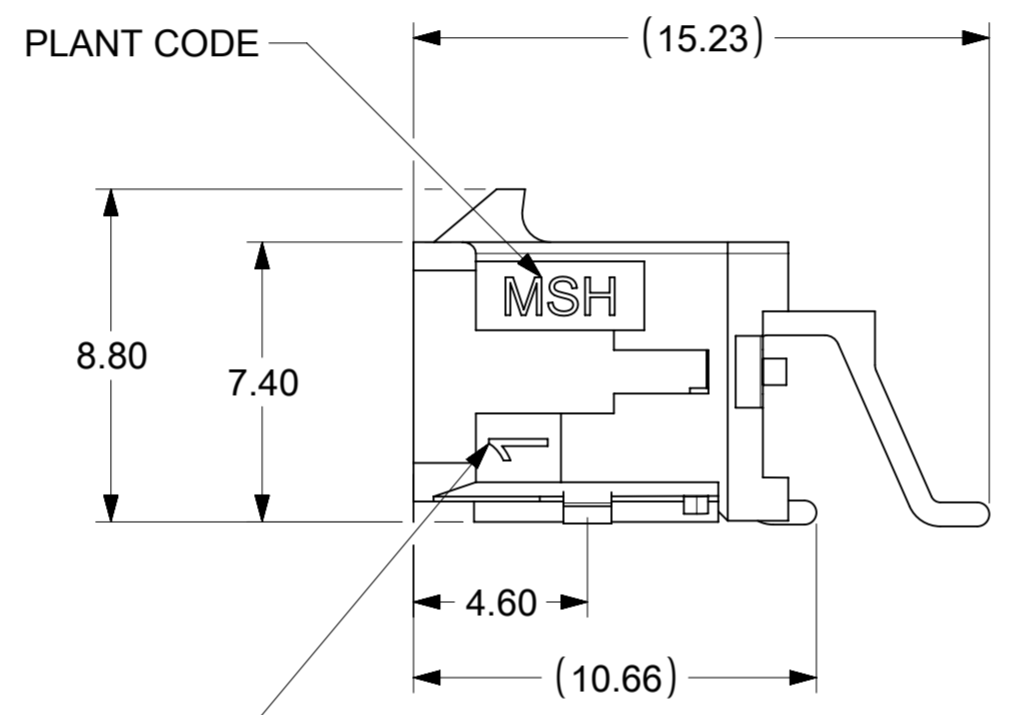
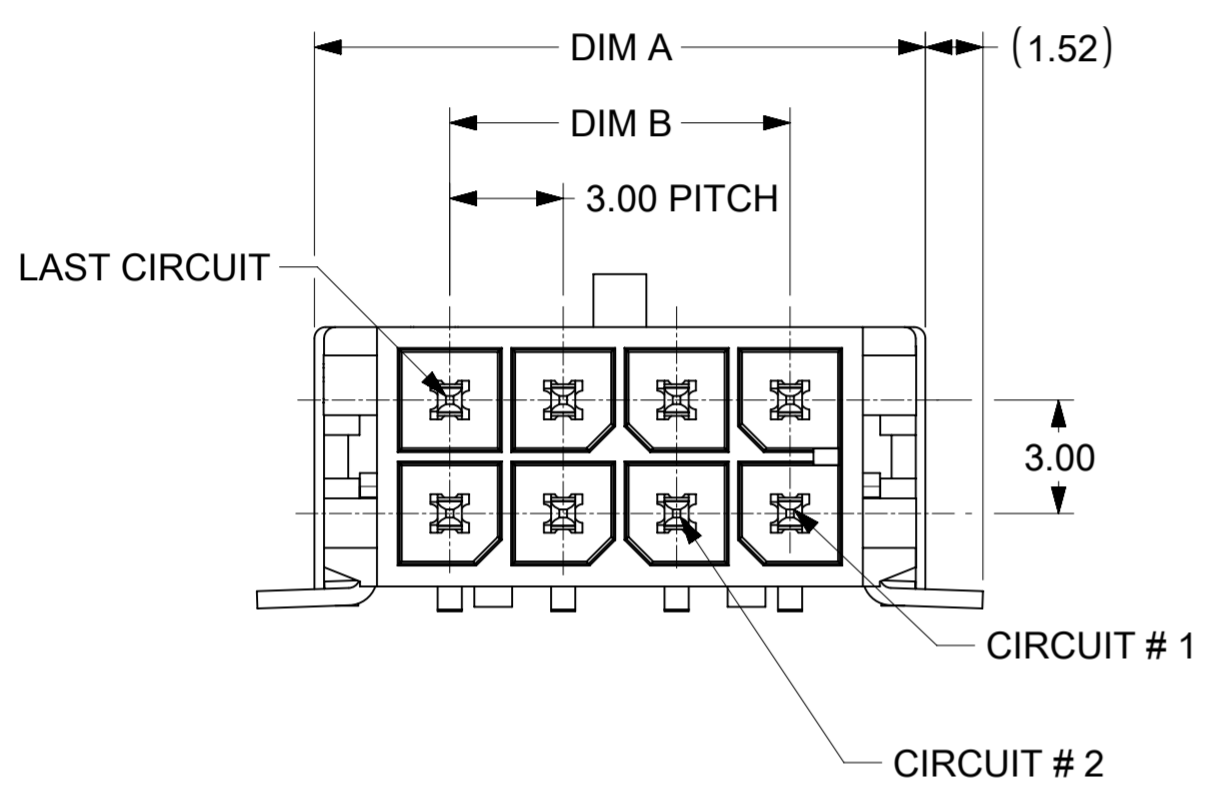
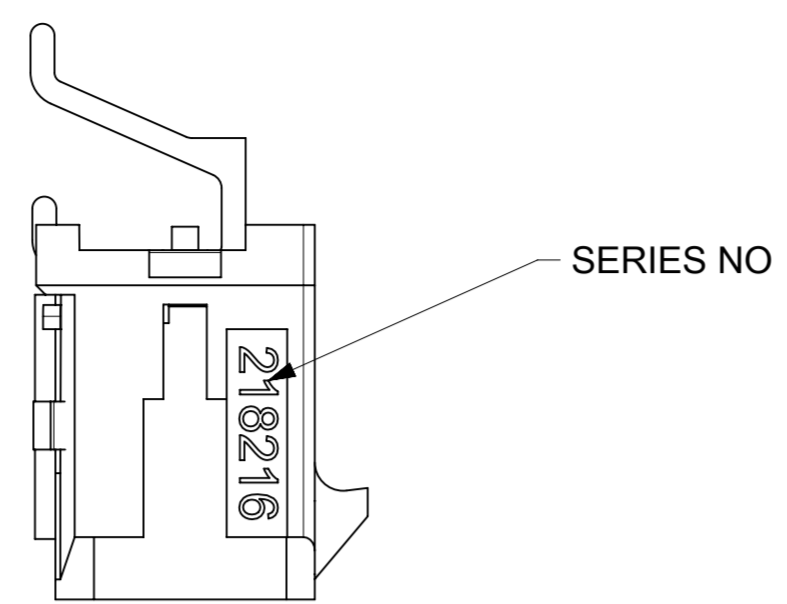
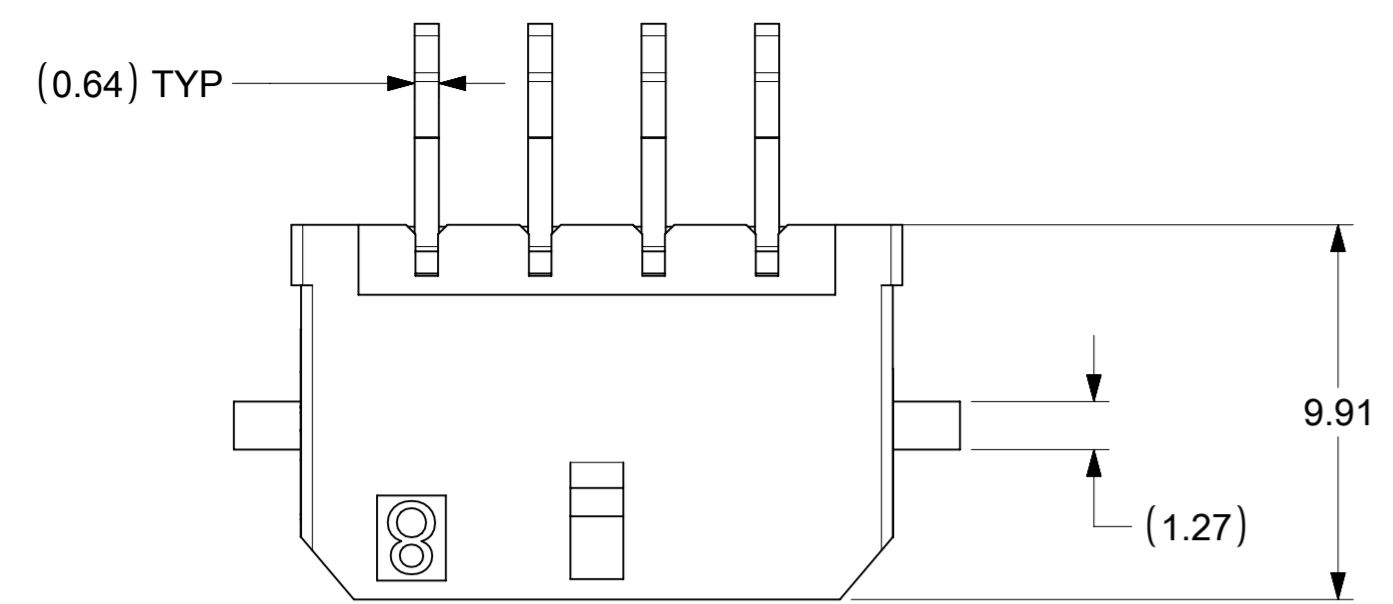


FINISH TYPE	"0":TIN	"1":15MICROINCH GOLD	"2":30MICROINCH GOLD	A	B	C	D
2	2182160200	2182160201	2182160202	7.16	NA	2.95	11.20
4	2182160400	2182160401	2182160402	10.16	3.00	2.95	14.20
6	2182160600	2182160601	2182160602	13.16	6.00	2.95	17.20
8	2182160800	2182160801	2182160802	16.16	9.00	7.70	20.20



FIRST CKT INDICATOR (APPROX. LOCATION SHOWN FOR REF.)

LEGEND

218216 - * * * *

SERIES NO. _____

CKT NO. _____

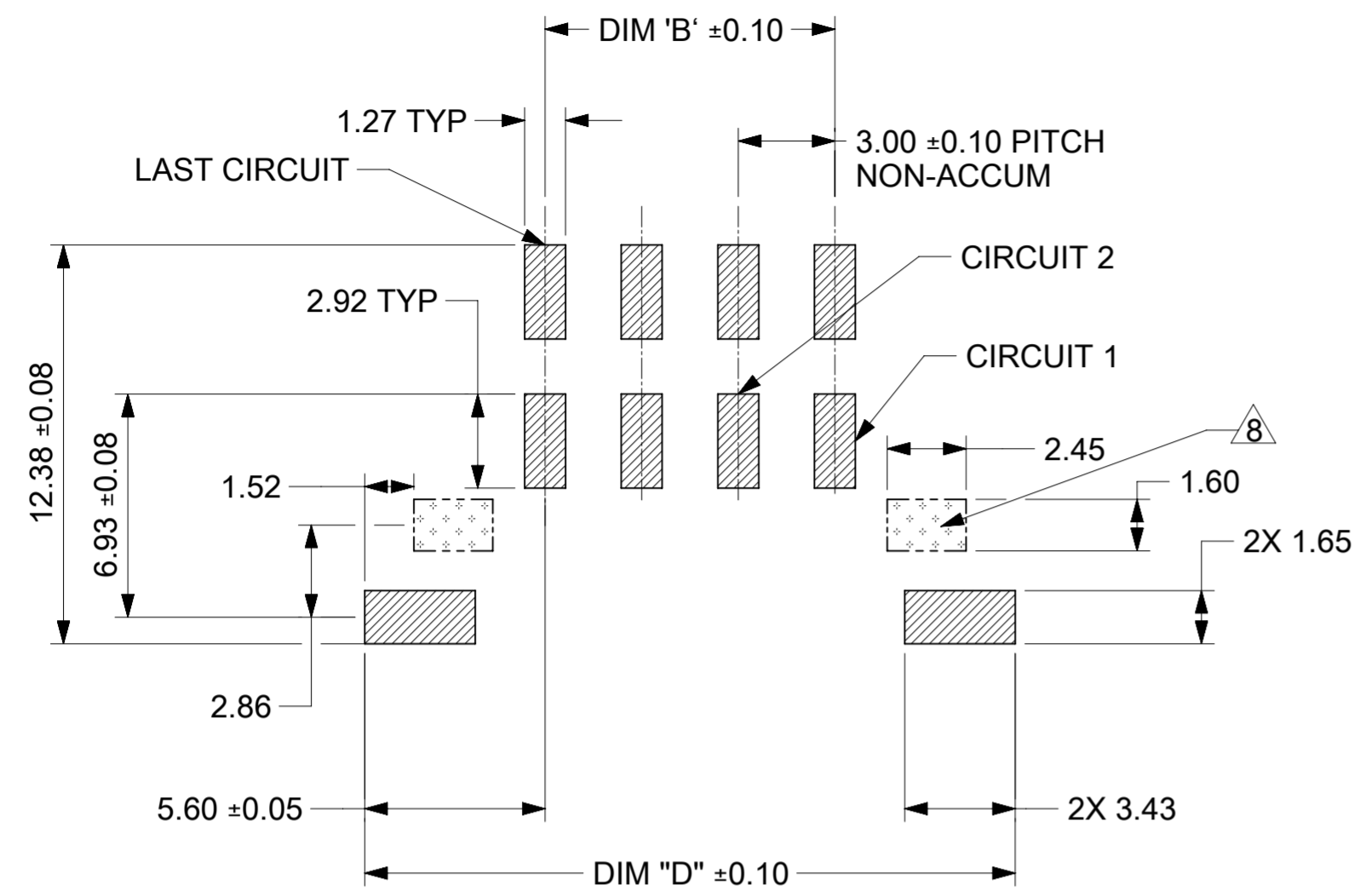
OPTION
 0: RIGHT ANGLE WITH NAIL
 1: RIGHT ANGLE WITH CLIP
 2: VERTICAL WITH NAIL
 3: VERTICAL WITH CLIP

PLATING OPTION
 0: TIN
 1: 15MICROINCH AU
 2: 30MICROINCH AU

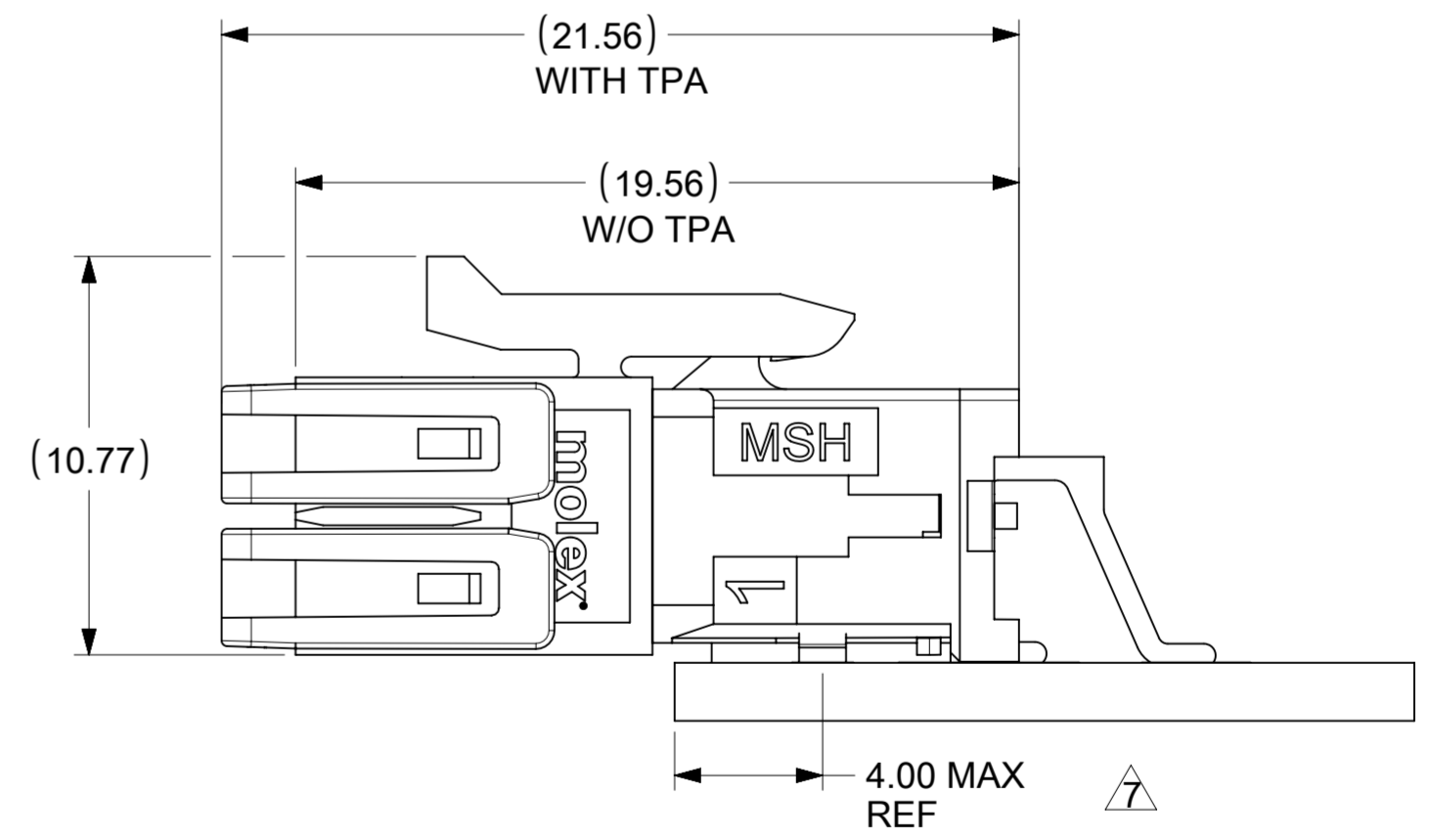
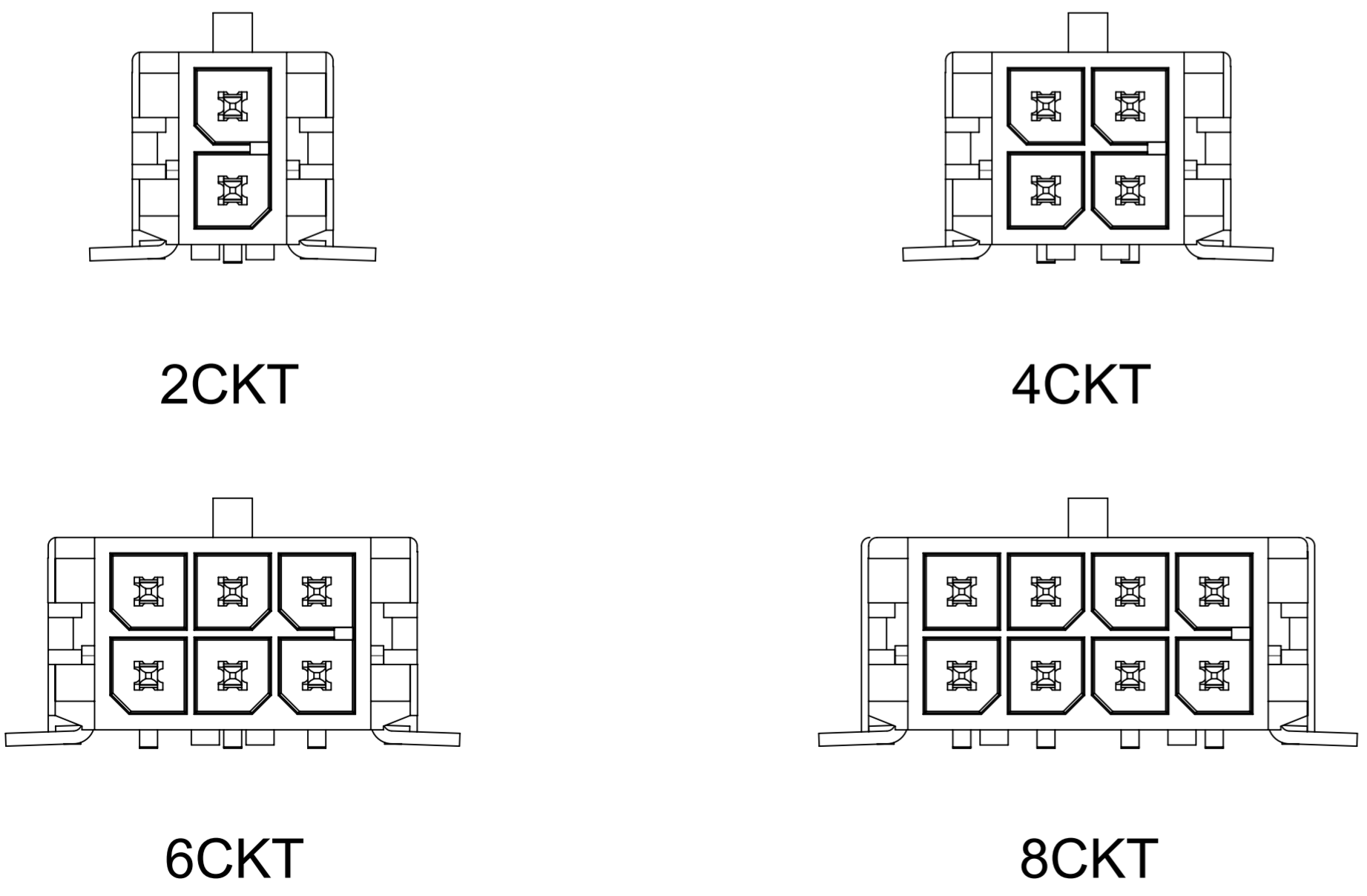
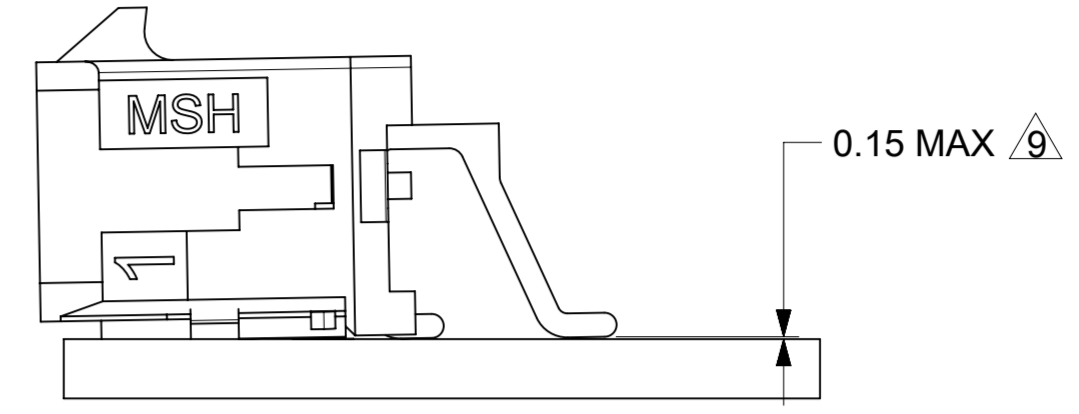
NOTES:

- HOSING MATERIAL: GLASS FILLED LIQUID CRYSTAL POLYMER, UL 94V-0, COLOR: BLACK
 TERMINAL MATERIAL: HIGH COPPER ALLOY
- FINISH:
 OPTION 1: REFLOW MATTE TIN OVER NICKEL
 OPTION 2: SELECT 15MICROINCH GOLD AND SELECT MATTE TIN OVER NICKEL.
 OPTION 3: SELECT 30MICROINCH GOLD AND SELECT MATTE TIN OVER NICKEL.
- PRODUCT SPECIFICATION : 2064600000-PS
- PRODUCT TEST SUMMARY: 2064600000-TS
- T&R PACK : 2182160001-PK
- MATE WITH RECEPTACLE 206461
- TO AVOID INTERFERENCE BETWEEN RECEPTACLE AND PCB HEADERS MUST BE PLACED WITHIN,4.00MAX FROM THE EDGE OF PCB, AS SHOWN IN THE LOCATION DETAILS
- METAL TAB MAY BE FLUSH WITH PCB, NO EXPOSED TRACE OR VIAS ALLOWED NEAR THESE AREAS.
- THE COPLANARITY DIMENSION IS ESTABLISHED BY PLACING THE ASSEMBLY ON A FLAT SURFACE. THE DISTANCE FROM THAT SURFACE TO THE BOTTOM OF ANY TERMINAL OR NAIL MUST NOT EXCEED 0.15
- THIS PART CONFORMS TO CLASS 'B' REQUIREMENTS OF COSMETIC SPECIFICATION PS-45499-002.

THIS DRAWING CONTAINS INFORMATION THAT IS PROPRIETARY TO MOLEX ELECTRONIC TECHNOLOGIES, LLC AND SHOULD NOT BE USED WITHOUT WRITTEN PERMISSION										
DIMENSION UNITS	SCALE	CURRENT REV DESC:			molex					
mm	NTS									
GENERAL TOLERANCES (UNLESS SPECIFIED)					MICRO-FIT PLUS DUAL ROW RIGHT ANGLE SMT HEADER WITH SOLDER TAB					
ANGULAR TOL	±	3.0°	EC NO: 724761							
4 PLACES	±		DRWN: ALU002	2021/04/08						
3 PLACES	±		CHK'D: XQZHANG	2022/10/17						
2 PLACES	±	0.25	APPR: XQZHANG	2022/10/17						
1 PLACE	±	0.36	INITIAL REVISION:							
0 PLACES	±		DRWN: ALU002	2021/04/08						
			APPR: XQZHANG	2022/10/17						
DRAFT WHERE APPLICABLE MUST REMAIN WITHIN DIMENSIONS		THIRD ANGLE PROJECTION	DRAWING	SERIES	MATERIAL NUMBER	CUSTOMER	DOCUMENT NUMBER	DOC TYPE	DOC PART	REVISION
			A2-SIZE	218216	SEE TABLE	GENERAL MARKET	2182160000-SD	PSD	000	A
										SHEET NUMBER
										1 OF 2



PCB LAYOUT: COMPONENT SIDE
RECOMMEND PCB THICKNESS: 1.60 ±0.05MM



THIS DRAWING CONTAINS INFORMATION THAT IS PROPRIETARY TO MOLEX ELECTRONIC TECHNOLOGIES, LLC AND SHOULD NOT BE USED WITHOUT WRITTEN PERMISSION											
DIMENSION UNITS		SCALE		CURRENT REV DESC:						molex	
mm		NTS									
GENERAL TOLERANCES (UNLESS SPECIFIED)				EC NO: 724761						MICRO-FIT PLUS DUAL ROW RIGHT ANGLE SMT HEADER WITH SOLDER TAB	
ANGULAR TOL ± 3.0°				4 PLACES ±		DRWN: ALUO02		2021/04/08		PRODUCT CUSTOMER DRAWING	
				3 PLACES ±		CHK'D: XQZHANG		2022/10/17		DOCUMENT NUMBER	
				2 PLACES ± 0.25		APPR: XQZHANG		2022/10/17		2182160000-SD	
				1 PLACE ± 0.36		INITIAL REVISION:				DOC TYPE DOC PART REVISION	
				0 PLACES ±		DRWN: ALUO02		2021/04/08		PSD 000 A	
				APPR: XQZHANG		2022/10/17					
DRAFT WHERE APPLICABLE MUST REMAIN WITHIN DIMENSIONS		THIRD ANGLE PROJECTION		DRAWING		SERIES		MATERIAL NUMBER		CUSTOMER	
				A2-SIZE		218216		SEE TABLE		GENERAL MARKET	
										SHEET NUMBER	
										2 OF 2	