

## EBK-C SOFT

## Mushroom lobe handles

Soft-touch technopolymer

## EBK-H SOFT

## Mushroom lobe handles

with lens, Soft-touch technopolymer

**METRIC**

**SOFT**

**RoHS**

**PP**

**TPE**

+176 °F  
+32 °F

**METRIC**

**SOFT**

**RoHS**

**PP**

**TPE**

**PA-T**

+176 °F  
+32 °F

### MATERIAL

High-resilience polypropylene based (PP) technopolymer, coated with "soft-touch" thermoplastic elastomer (TPE) chemically bonded, hardness 70 Shore A, black colour, matte finish.

The coating material is produced from FDA compliant raw material (FDA CFR.21 and EU 10/2011).

### CENTRE CAP

Polypropylene based (PP) technopolymer, in Ergostyle colours, matte finish, press-fit assembly.

### STANDARD EXECUTION

Brass boss, threaded hole.

### FEATURES AND APPLICATIONS

The coating, with "soft-touch" elastomer, improves the grip even in the presence of oils, greases and sweat from the hand. For this reason it is suitable for fitness machines, tools and machines for gardening and goods transport, high-precision instruments and disability aids.

### MATERIAL

High-resilience polypropylene based (PP) technopolymer, coated with "soft-touch" thermoplastic elastomer (TPE) chemically bonded, hardness 70 Shore A, black colour, matte finish.

The coating material is produced from FDA compliant raw material (FDA CFR.21 and EU 10/2011).

### MAGNIFYING LENS

Transparent polyamide based (PA-T) technopolymer. Resistant to solvents, oils, greases, petrol and other chemical agents (avoid contact with alcohol). Press-fit assembly. It improves the visibility of the labels.

### STANDARD EXECUTION

Brass boss, threaded hole.

### ACCESSORIES ON REQUEST

Self-adhesive labels MA. (see page 632) with standard marks and symbols to be ordered separately.

### LABEL ASSEMBLY INSTRUCTIONS

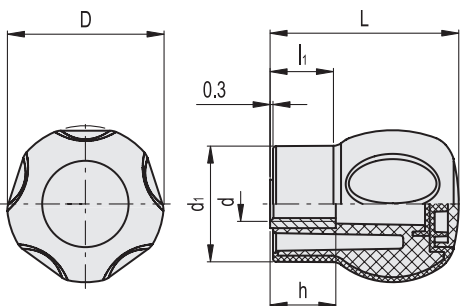
Stick the self-adhesive label (printed on the adhesive side) to the inner surface of the magnifying lens by pressing from the centre to the external side to avoid air bubbles. Assemble the magnifying lens to the handle face recess by gently tapping with a wooden or plastic mallet, until firmly in place. The label is therefore protected by the watertight magnifying lens.



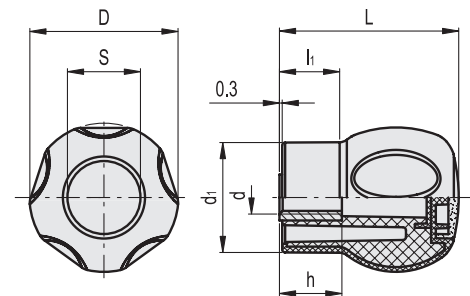
ERGOSTYLE® ELESA Original design



ERGOSTYLE® ELESA Original design



Conversion Table	
1 mm = 0.039 inch	
D	
mm	inch
43	1.69
50	1.97



\*Complete with colour index, example: 245103-C2 EBK.43 B-M8-C-SOFT-C2

**C2** **C3** **C4** **C5** **C6** **C17**  
RAL2004 RAL7035 RAL1021 RAL5024 RAL3000 RAL6017

**METRIC**

**METRIC**

Code	Description	D	L	d6H	d1	h	l1	⚖️
245103-*	EBK.43 B-M8-C-SOFT-*	43	53.5	M8	32.5	18	17.5	72
245105-*	EBK.43 B-M10-C-SOFT-*	43	53.5	M10	32.5	18	17.5	71
245203-*	EBK.50 B-M8-C-SOFT-*	50	60	M8	37	20	20	85
245205-*	EBK.50 B-M10-C-SOFT-*	50	60	M10	37	20	20	82
245207-*	EBK.50 B-M12-C-SOFT-*	50	60	M12	37	20	20	80

Code	Description	D	L	d6H	S	d1	h	l1	⚖️
245104	EBK.43 B-M8-H-SOFT	43	53.5	M8	20	32.5	18	17.5	72
245106	EBK.43 B-M10-H-SOFT	43	53.5	M10	20	32.5	18	17.5	71
245204	EBK.50 B-M8-H-SOFT	50	60	M8	25	37	20	85	
245206	EBK.50 B-M10-H-SOFT	50	60	M10	25	37	20	82	
245208	EBK.50 B-M12-H-SOFT	50	60	M12	25	37	20	80	