

Interface module - UM-D37M/DS/FU/LED/AID16/C3/R C - 2906180

Please be informed that the data shown in this PDF Document is generated from our Online Catalog. Please find the complete data in the user's documentation. Our General Terms of Use for Downloads are valid (<http://phoenixcontact.com/download>)




VARIOFACE module intended for use with Honeywell Experion C300 16-channel analog input cards. Channels 1 to 16 feature differential inputs.

Your advantages

- ✓ These VARIOFACE modules are used in combination with the relevant front adapters
- ✓ Per channel pluggable 500 mA fusing
- ✓ UM-PRO housing
- ✓ DIN rail mounting, includes grounding foot
- ✓ LED blown fusing indication
- ✓ Per channel shield connection
- ✓ Conformal coating of PCB
- ✓ Per channel disconnects with test points



Key Commercial Data

Packing unit	1 pc
GTIN	 4 055626 066851
GTIN	4055626066851

Technical data

Dimensions

Width	184 mm
Height	142.3 mm
Depth	65.6 mm

Ambient conditions

Ambient temperature (operation)	-40 °C ... 60 °C
Ambient temperature (storage/transport)	-40 °C ... 75 °C

General

Nominal voltage U_N	24 V DC
-----------------------	---------

Interface module - UM-D37M/DS/FU/LED/AID16/C3/R C - 2906180

Technical data

General

Max. perm. current (per branch)	500 mA (fuse limited)
Number of positions	37

Connection data

Connection name	Field level
Connection method	Screw connection with disconnect knife
Stripping length	8 mm
Screw thread	M 3
Conductor cross section solid	0.2 mm ² ... 4 mm ²
Conductor cross section flexible	0.2 mm ² ... 2.5 mm ²
Conductor cross section AWG	24 ... 12

Connection data 2

Connection name	Controller level
Connection method	D-SUB pin strip
Number of connections	1
Number of positions	37

Connection data 3

Connection method	D-SUB pin strip
Number of connections	1
Number of positions	25

Supported controller

Controller	HONEYWELL Experion PKS C300/C-Series
- suitable I/O card	TAID01 (non-redundant)
	TAID11 (redundant)
Controller	Honeywell Experion LX Series 8
- suitable I/O card	8X-TAIDA1
	8X-TAIDB1

Standards and Regulations

Standards/regulations	DIN EN 50178
-----------------------	--------------

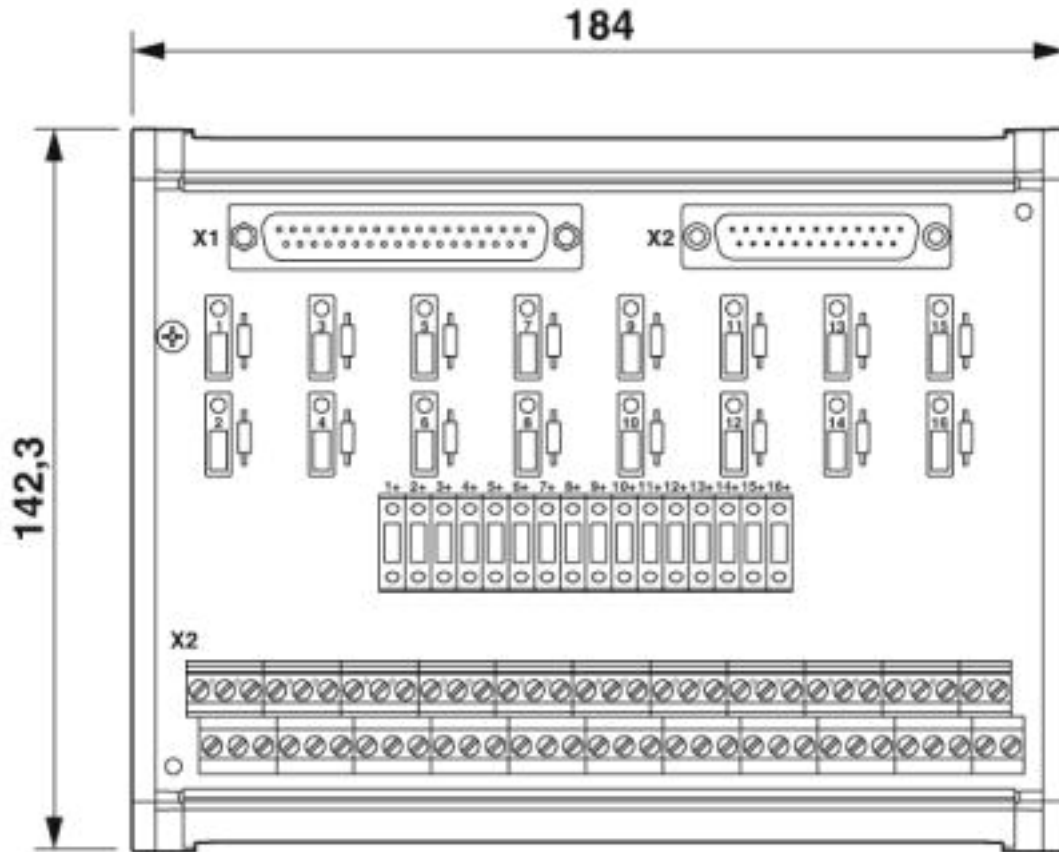
Environmental Product Compliance

REACH SVHC	Lead 7439-92-1
China RoHS	Environmentally Friendly Use Period = 50
	For details about hazardous substances go to tab "Downloads", Category "Manufacturer's declaration"

Drawings

Interface module - UM-D37M/DS/FU/LED/AID16/C3/R C - 2906180

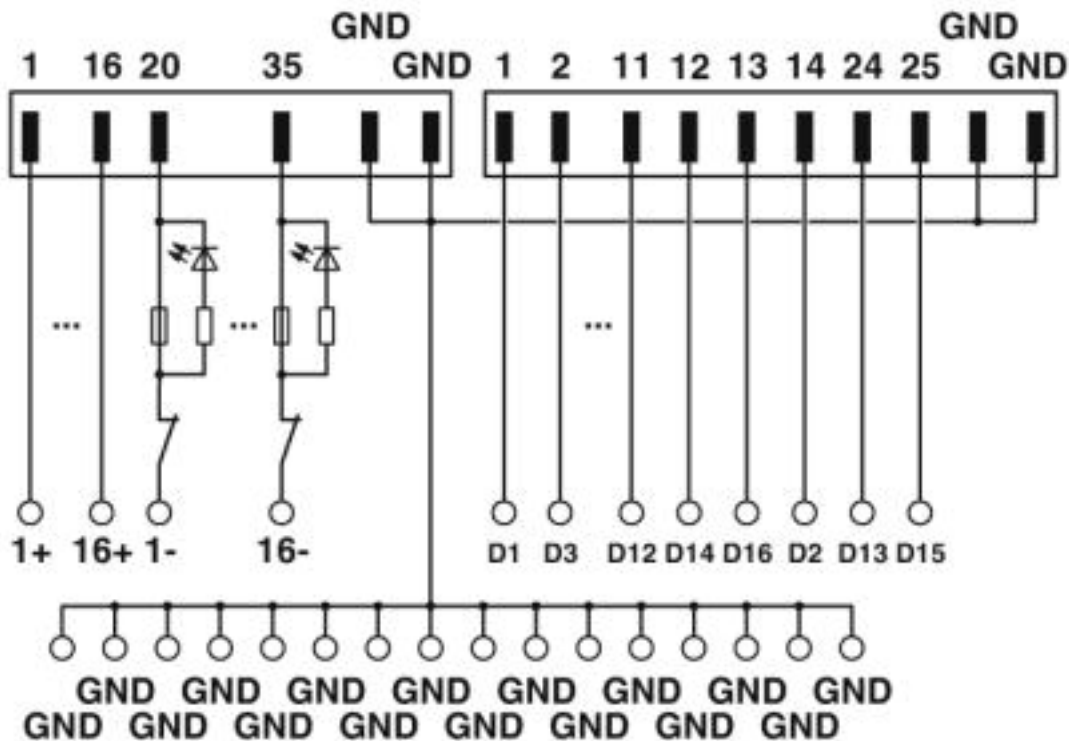
Dimensional drawing



dimensional drawing of left hand version

Interface module - UM-D37M/DS/FU/LED/AID16/C3/R C - 2906180

Circuit diagram



Approvals

Approvals

Approvals

UL Recognized / cUL Recognized / cULus Recognized

Ex Approvals

Approval details

UL Recognized		http://database.ul.com/cgi-bin/XYV/template/LISEXT/1FRAME/index.htm	FILE E 238705
---------------	--	---	---------------

cUL Recognized		http://database.ul.com/cgi-bin/XYV/template/LISEXT/1FRAME/index.htm	FILE E 238705
----------------	--	---	---------------

Interface module - UM-D37M/DS/FU/LED/AID16/C3/R C - 2906180

Approvals

cULus Recognized



Phoenix Contact 2019 © - all rights reserved
<http://www.phoenixcontact.com>

PHOENIX CONTACT GmbH & Co. KG
Flachsmarktstr. 8
32825 Blomberg
Germany
Tel. +49 5235 300
Fax +49 5235 3 41200
<http://www.phoenixcontact.com>