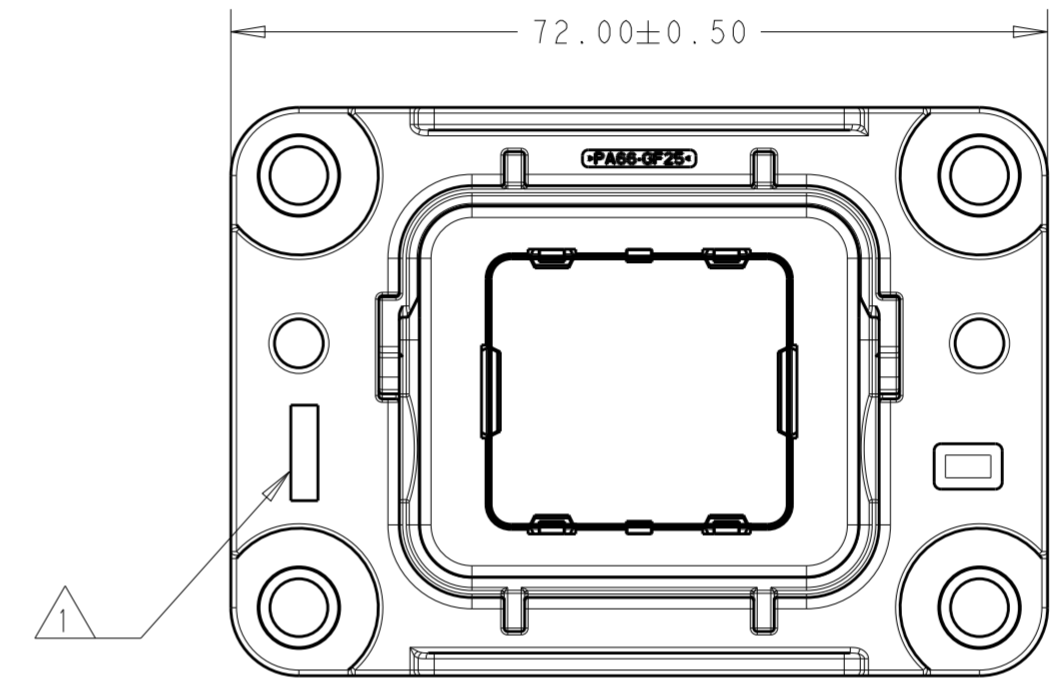
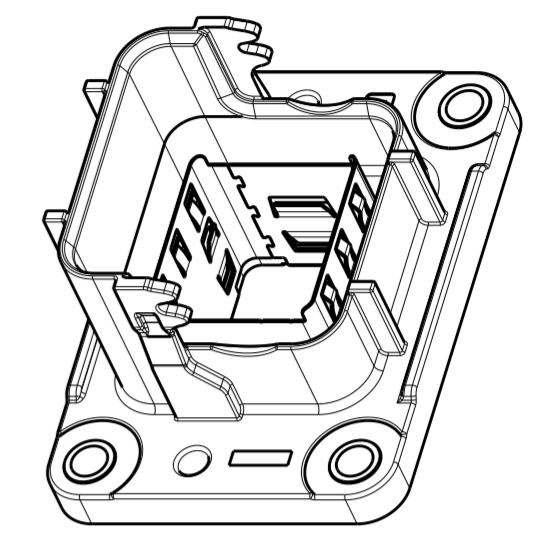
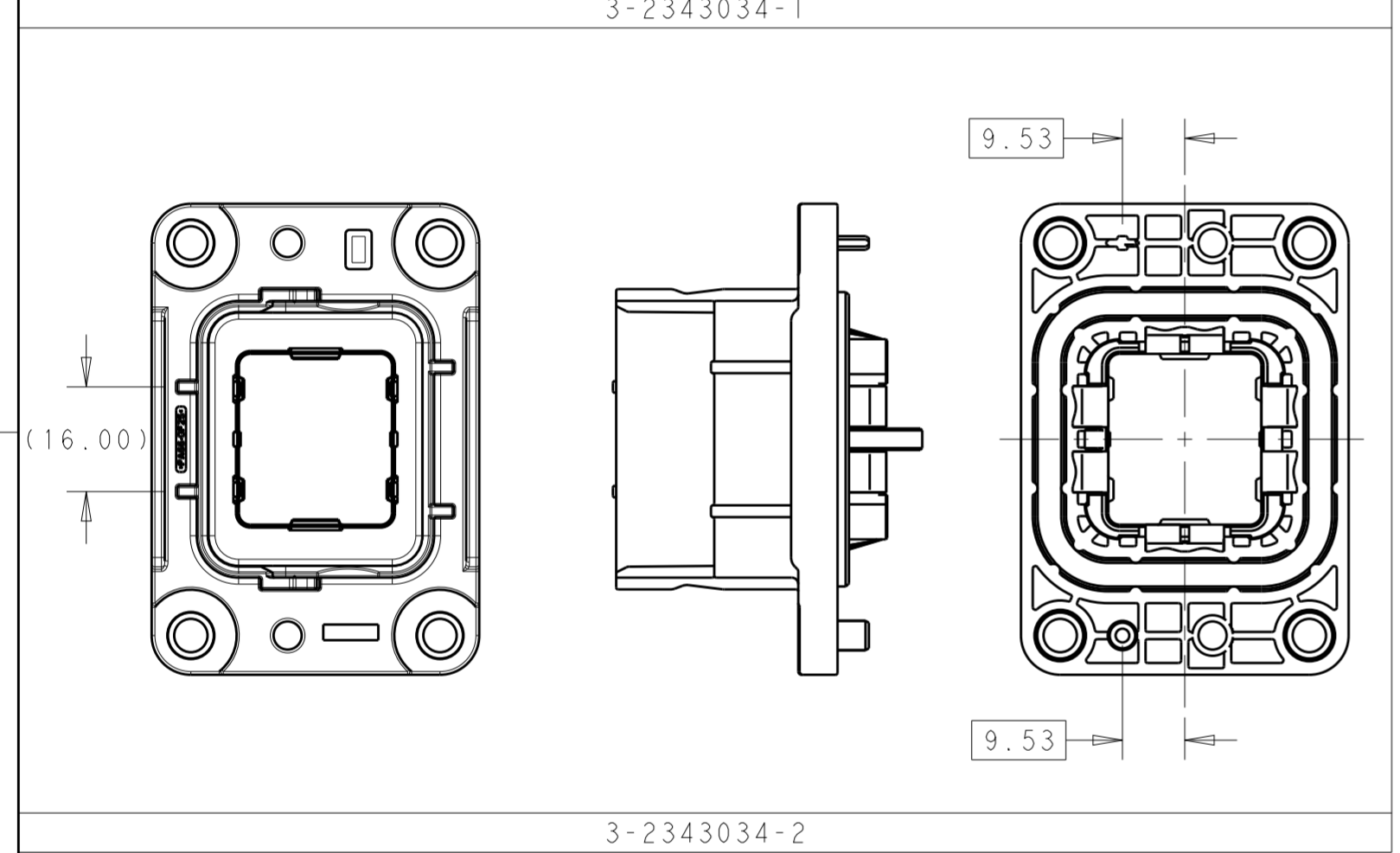
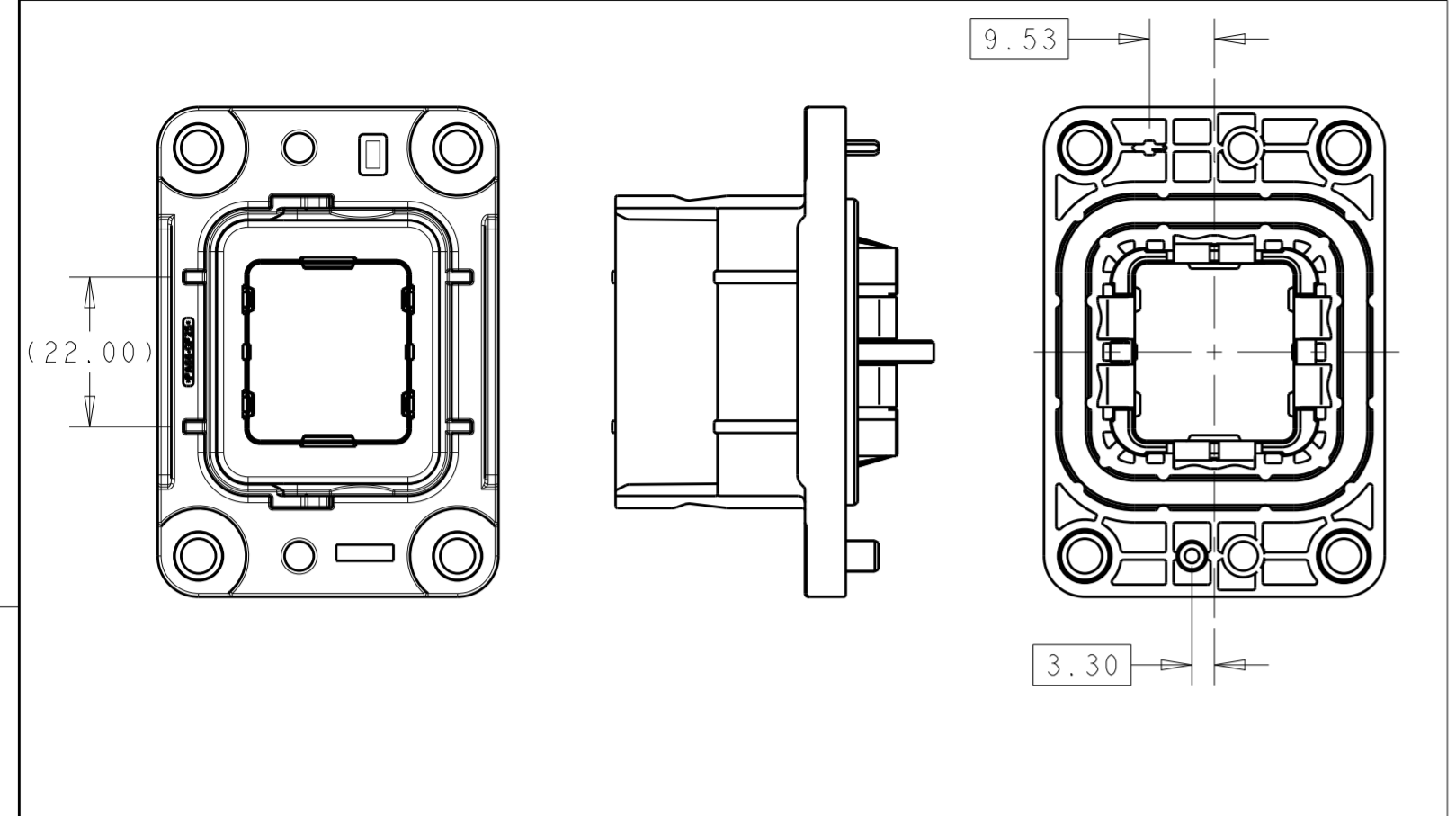
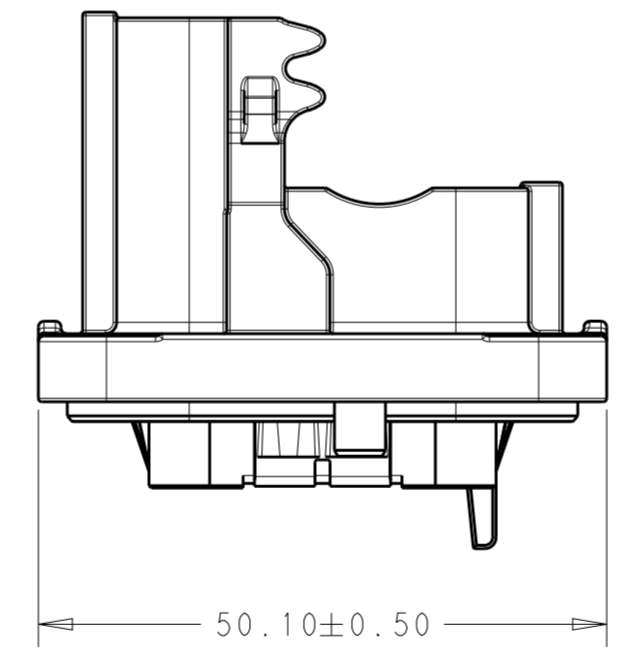


© 2020 TE Connectivity. All Rights Reserved.

REVISIONS				
P	LTR	DESCRIPTION	DATE	APVD
A		INITIAL RELEASE	11AUG2020	DL TD



SCALE 3:2  
3-2343034-1 SHOWN

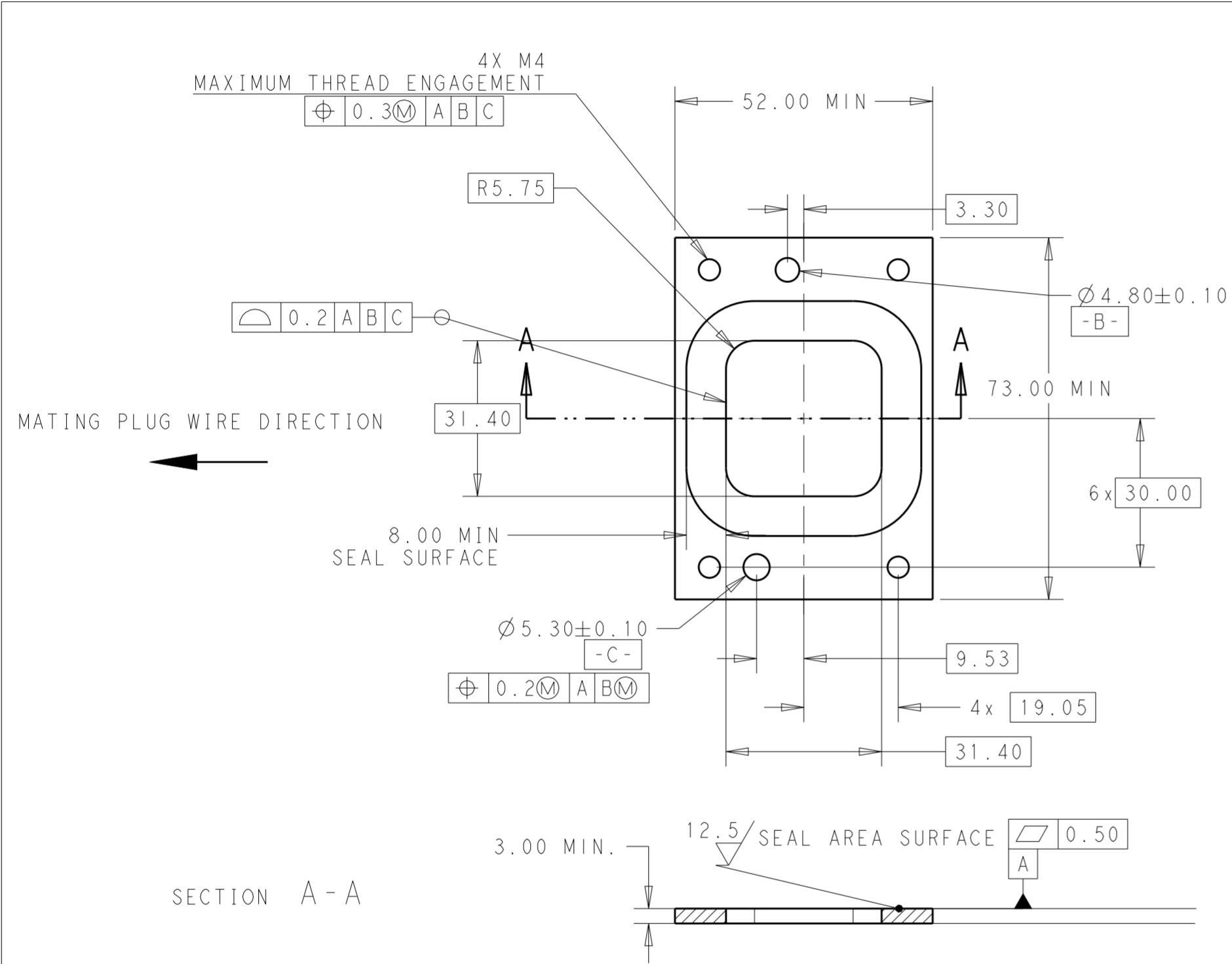


1 IDENTIFICATION MARKING LOCATED ON THIS SURFACE

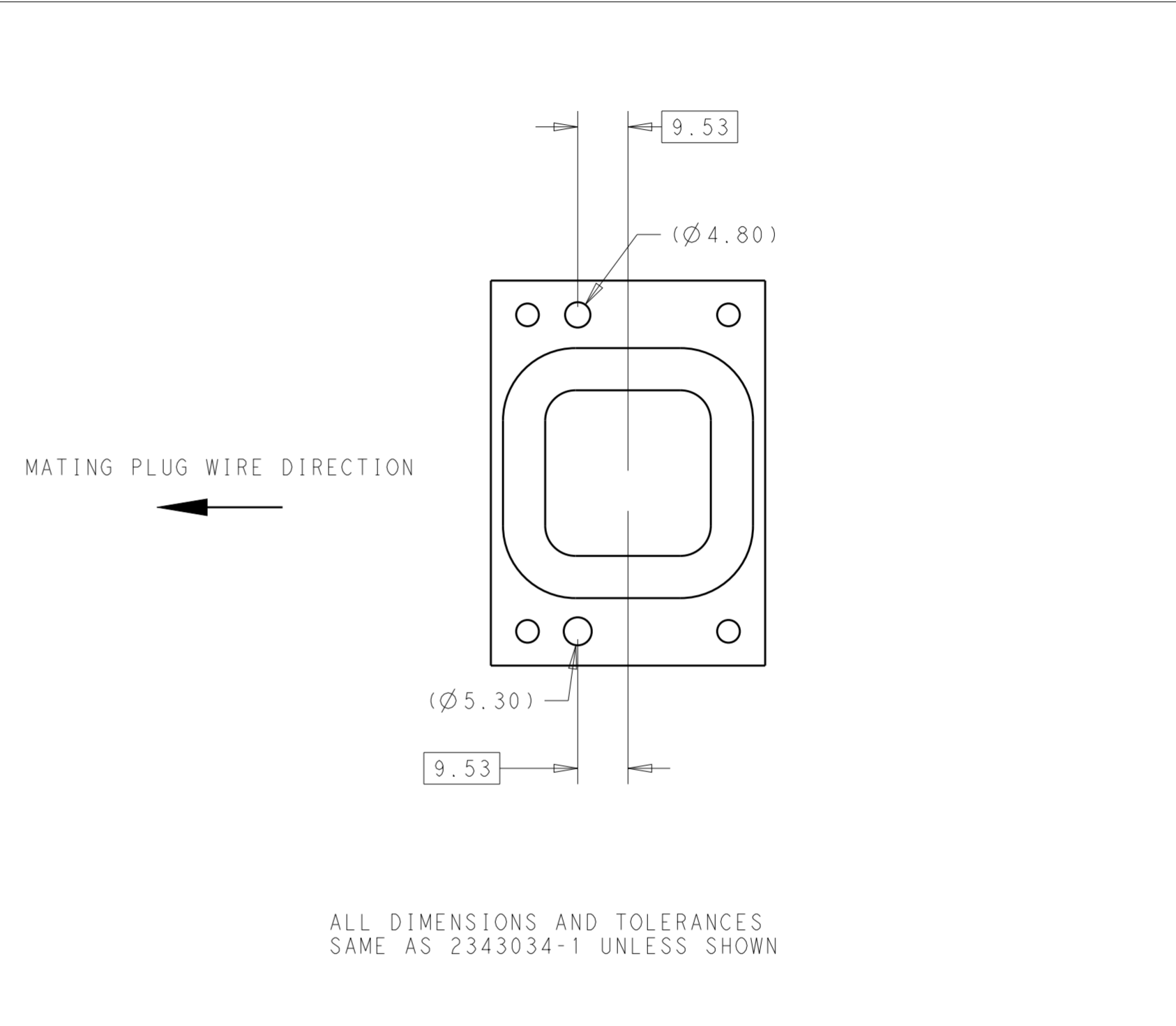
HC-STAK 25 HEADER KEY B	B	3-2343034-2
HC-STAK 25 HEADER KEY A	A	3-2343034-1
DESCRIPTION	INDEX	PART NUMBER

THIS DRAWING IS A CONTROLLED DOCUMENT.		DWN D. LAZURAN 3 JULY 2020																							
DIMENSIONS: mm		CHK D. LAZURAN 3 JULY 2020																							
TOLERANCES UNLESS OTHERWISE SPECIFIED:		APVD T. DEWITTE 3 JULY 2020	NAME HEADER ASSEMBLY, HC-STAK 25																						
<table border="0"> <tr> <td>0 PLC</td> <td>±</td> <td></td> </tr> <tr> <td>1 PLC</td> <td>±0.5</td> <td></td> </tr> <tr> <td>2 PLC</td> <td>±0.2</td> <td></td> </tr> <tr> <td>3 PLC</td> <td>±</td> <td></td> </tr> <tr> <td>4 PLC</td> <td>±</td> <td></td> </tr> <tr> <td>ANGLES</td> <td>±</td> <td></td> </tr> <tr> <td>FINISH</td> <td>±</td> <td></td> </tr> </table>		0 PLC	±		1 PLC	±0.5		2 PLC	±0.2		3 PLC	±		4 PLC	±		ANGLES	±		FINISH	±		PRODUCT SPEC	SIZE CAGE CODE DRAWING NO	
0 PLC	±																								
1 PLC	±0.5																								
2 PLC	±0.2																								
3 PLC	±																								
4 PLC	±																								
ANGLES	±																								
FINISH	±																								
MATERIAL		APPLICATION SPEC	RESTRICTED TO																						
		WEIGHT	A200779 C-2343034																						
		CUSTOMER DRAWING	SCALE 1:1	SHEET 1 OF 2 REV A																					

P	LTR	DESCRIPTION	DATE	DWN	APVD
-	-	SEE SHEET 1	-	-	-



3-2343034-1 - INTERFACE DRAWING



ALL DIMENSIONS AND TOLERANCES SAME AS 2343034-1 UNLESS SHOWN

3-2343034-2 - INTERFACE DRAWING

THIS DRAWING IS A CONTROLLED DOCUMENT.		DWN D. LAZURAN 3 JULY 2020	TE Connectivity
DIMENSIONS: mm		CHK D. LAZURAN 3 JULY 2020	
TOLERANCES UNLESS OTHERWISE SPECIFIED:		APVD T. DEWITTE 3 JULY 2020	NAME HEADER/SEAL ASSEMBLY, 4 BOLTS
0 PLC ±	±0.5	PRODUCT SPEC	-
1 PLC ±	±0.2	APPLICATION SPEC	-
2 PLC ±	±	WEIGHT	-
3 PLC ±	±	CUSTOMER DRAWING	SCALE 1:1 SHEET 2 OF 2 REV A
4 PLC ±	±		
ANGLES ±	±		
FINISH	-		