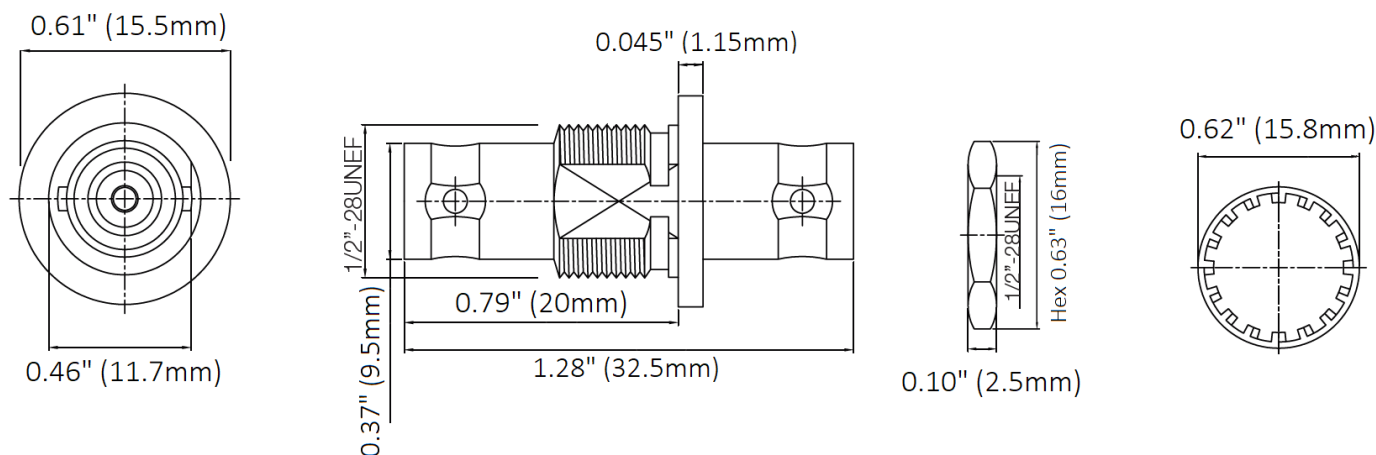


Model 3846

Adapter, Isolated Ground BNC (Female to Female)



Features

- Mounts in panels up to 0.175" (4.45mm) thick
- BNC shell body is isolated from threaded flange

Materials

Body, Nut, Washer: Brass, Nickel Plated
 Center Contact: Brass, Gold Plated
 Insulator: PTFE
 Threaded Screw: White Delrin

Ratings

Operating Voltage: 500 Vrms Max. (Inner Conductor/Shield)
 Operating Temperature: -65°C to +165°C
 Nominal Impedance: 50 Ohm

Ordering Information

Model: 3846

USA: Sales: 800-490-2361
 Technical Support: technicalsupport@pomonatest.com
 Fax: 425-446-5844
Europe: 31-(0) 40 2675 150 **International:** 425-446-5500
Where to Buy: www.pomonaelectronics.com

All dimensions are in inches. Tolerances (except noted): .xx = ±.02" (.51 mm), .xxx = ±.005" (.127 mm). All specifications are to the latest revisions. Specifications are subject to change without notice. Registered trademarks are the property of their respective companies.